

adjustable overload protection device



These devices are used to protect pressure gauges and pressure switches from overpressure. If pressure accidentally exceeds the maximum allowed value, the device by-passes the gauge automatically until the pressure value is back to normal.

5.48A...B - MP4/8 - bellows overload protection device

Setting range:

3...15 *psi* (0,2...1 bar) - **Cod. 48A**;

15...40 *psi* (1...3 bar) - **Cod. 48B**.

Resetting value: -30% of setting value.

Working temperature: -13...+212 °F (-25...+100° C).

Maximum working pressure: 7000 *psi* (500 bar).

Operating principle: bellows.

Body and wetted parts: AISI 316L st.st. (**Cod. 5**)

Bellows: AISI 316 Ti st.st.

Gaskets: VITON.

Connections (process-instrument):

G 1/2 B M x G 1/2 B F;

1/2" NPT M x 1/2" NPT F;

G 1/4 B M x G 1/4 B F;

1/4" NPT M x 1/4" NPT F .

5.49A...D - MP4/9 - piston overload protection device

Setting range:

40...230 *psi* (3...16 bar) - **Cod. 49A**;

230...500 *psi* (16...35 bar) - **Cod. 49B**;

500...2300 *psi* (35...160 bar) - **Cod. 49C**;

2300...5000 *psi* (160...350 bar) - **Cod. 49D**.

Resetting value: -30% of setting value.

Working temperature: -13...+212 °F (-25...+100° C).

Maximum working pressure: 7000 *psi* (500 bar).

Operating principle: bellows.

Body, piston and wetted parts: AISI 316L st.st. (**Cod. 5**)

Gaskets: VITON.

Connections (process-instrument):

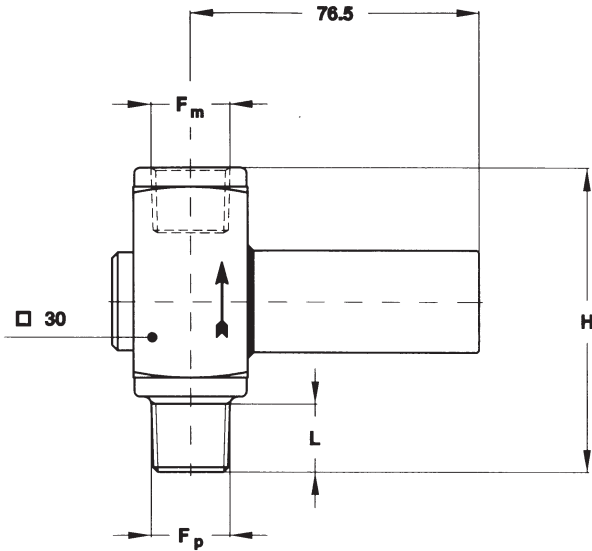
G 1/2 B M x G 1/2 B F;

1/2" NPT M x 1/2" NPT F;

G 1/4 B M x G 1/4 B F;

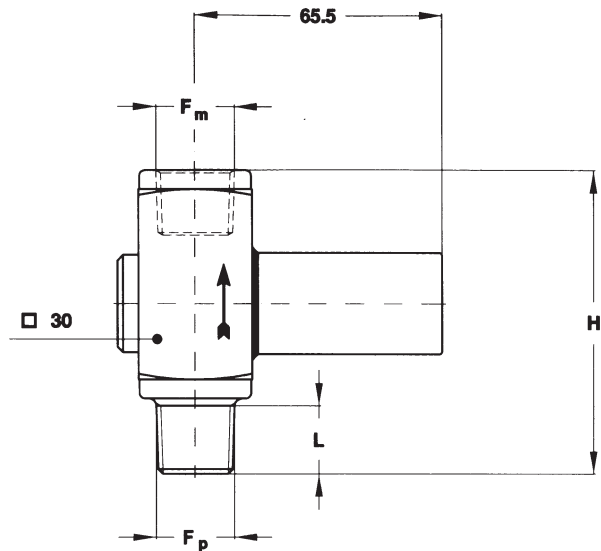
1/4" NPT M x 1/4" NPT F .

MP4/8



Weight : 1.23 lbs (0,56 kg)

MP4/9



Weight : 1.10 lbs (0,50 kg)

dimensions : inches (mm)

Cod.	Fp-Fm	L	H
41M x 41F	G 1/2 B M x G 1/2 B F	0.78 (20)	3.14 (80)
43M x 43F	1/2" NPT M x 1/2" NPT F	0.78 (20)	3.14 (80)
21M x 21F	G 1/4 B M x G 1/4 B F	0.59 (15)	2.95 (75)
23M x 23F	1/4" NPT M x 1/4" NPT F	0.59 (15)	2.95 (75)

Cod.	Fp-Fm	L	H
41M x 41F	G 1/2 B M x G 1/2 B F	0.78 (20)	3.14 (80)
43M x 43F	1/2" NPT M x 1/2" NPT F	0.78 (20)	3.14 (80)
21M x 21F	G 1/4 B M x G 1/4 B F	0.59 (15)	2.95 (75)
23M x 23F	1/4" NPT M x 1/4" NPT F	0.59 (15)	2.95 (75)

“HOW TO ORDER” SEQUENCE

Section / Model/ Material / Process connection / Instrument connection / Options

- 5 48A 5 21M, 41M 21F, 41F
- 48B 23M, 43M 23F, 43F
- 49A
- 49B
- 49C
- 49D

