

### FEATURES

- The diaphragm pulse valves are especially designed for dust collector service applications, combining high flow, long life and extremely fast opening and closing to produce reliable and economical operation
- Integral compression fittings for fast, easy, secure installation
- The high quality diaphragms are reinforced and wear resistant to guarantee a long operating life, even under harsh conditions
- The integral operators are provided with epoxy moulded F-class coils. Various optional waterproof and explosionproof solenoids for use in potentially explosive atmospheres (gas & dust) according to Directive ATEX 94/9/EC can be mounted on the same basic valve (see pages 49 to 57)
- The valves satisfy all relevant EC directives

### GENERAL

**Differential pressure (PS)** 0,35 - 8,5 bar [1 bar = 100kPa]  
**Ambient temperature range** -20 to +85°C

fluids (*)	temperature range (TS)	diaphragm (*)
Luft	-20 to +85 °C	CR

### MATERIALS IN CONTACT WITH FLUID

(\*) Ensure that the compatibility of the fluids in contact with the materials is verified

**Body** Aluminium / Stainless steel 316L  
**Core tube** Stainless steel  
**Core and plugnut** Stainless steel  
**Core spring** Stainless steel  
**Sealings & disc** NBR (nitrile)  
**Diaphragm** CR (chloroprene)  
**Shading coil** Copper  
**Coil insulation class** F  
**Connector** Spade plug (cable Ø 6 - 10 mm)  
**Connector specification** ISO 4400  
**Electrical safety** IEC 335

### ELECTRICAL CHARACTERISTICS

**Standard voltages** DC (=): 24V  
(Other voltages and 60 Hz on request) AC (~): 24V - 115V - 230V / 50 Hz

coil type	nominal power ratings				operator temperature range (TS) (°C)	protection
	inrush	holding		hot/cold		
	~	~	=	=		
	(VA)	(VA)	(W)	(W)		
CM6-FT	34	15,6	6	-	-20 to +85	IP65/IP67
CM6-FT <sup>(1)</sup>	-	-	-	14 / 20,8		IP65/IP67
CMXX-FT	55	23	10,5	-		ATEX-NF
CMXX-FF	-	-	-	14 / 19,7		ATEX-NF

(1) Intermittent duty, Relative Duty Time is 10%. Max. on time is 1 min.

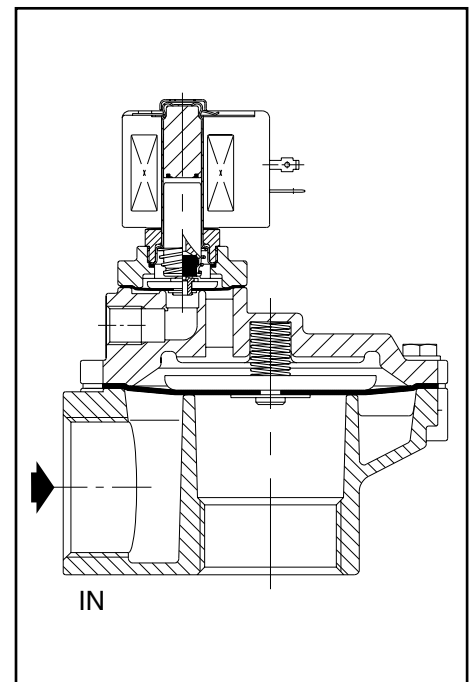
### SPECIFICATIONS

pipe size	orifice size	flow coefficient Kv		operating pressure differential (bar)		prefix optional solenoids					catalogue number		FPM	
				min.	max. (PS)	ATEX					aluminium	stainless steel 316L		
						air (*)	SC	WP	SCDU	WP(T)DU				NF
G	(mm)	(m³/h)	(l/min)			~/=								
<b>G - Threaded pipe connection</b>														
1 1/2	52	44	733	0,35	8,5	•	•	•	•	•	•	G353A047	G353A134 <sup>(1)</sup>	V
2	66	77	1290	0,35	8,5	•	•	•	•	•	•	G353A050	-	V
2 1/2	66	92	1540	0,35	8,5	•	•	•	•	•	•	G353A051	-	V
3	76	170	2833	1	6	•	•	•	•	•	•	G353.060 <sup>(1)</sup>	-	V
<b>Ø - Compression fitting pipe connection</b>														
1 1/2	52	44	733	0,35	8,5	•	•	•	•	•	•	G353A065 <sup>(2)</sup>	-	V

• : Available feature

(1) Contains spring above the main diaphragm

(2) Threaded pipe connection is external (male thread)



DP14241GB-2012/R01 Availability, design and specifications are subject to change without notice. All rights reserved.

### OPTIONS

- Waterproof enclosure with embedded screw terminal coil according to protection class IP67, CEE 10
- Explosionproof solenoids for hazardous locations according to ATEX and national standards
- **IECEX** certification
- Hose connection executions (3" only)
- Compliance with "UL" standards
- Plug with visual indication and/or peak voltage suppression
- Electronic timer
- Valves can also be supplied with FPM (fluoroelastomer) diaphragms and seals. Use the appropriate optional suffix letter for identification

### INSTALLATION

- The valves can be mounted in any position without affecting operation
- Threaded pipe connection is G (ISO 228/1) or compression fitting
- For compression fitting types tightness is achieved by the compressed gasket on the blow tube
- The use of the rubber gaskets as sealing members will allow a slight misalignment in piping when using compression fittings
- Other pipe threads are available on request
- Installation/maintenance instructions are included with each valve
- Spare parts kits and replacement coils are available

### DIMENSIONS (mm), WEIGHT (kg)

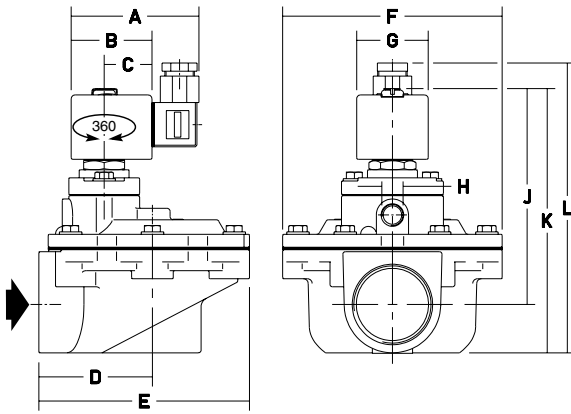


Fig. 1: Threaded pipe connection - aluminium

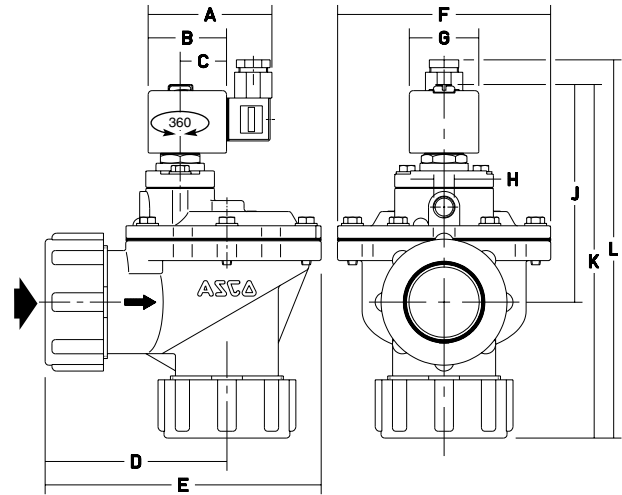


Fig. 2: Compression type fitting - aluminium

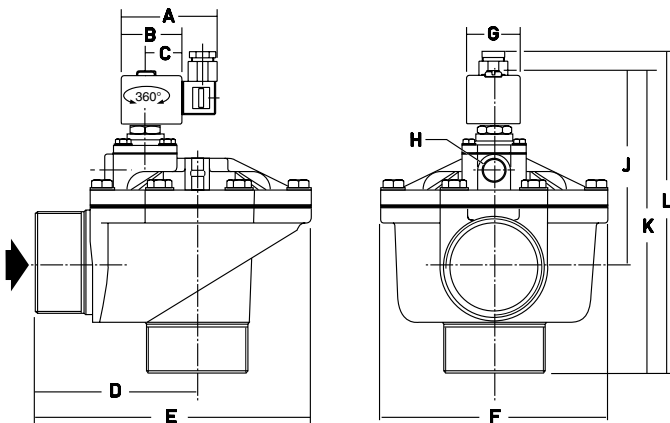


Fig. 3: External threaded type - aluminium

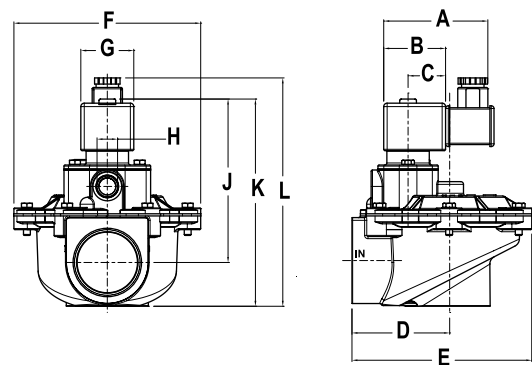


Fig. 4: Threaded pipe connection - stainless steel

catalogue number	A	B	C	D	E	F	G	H	J	K	L	weight (1)	(C)
SC(DU)G353A047	80	50	30	71	130	136	45	G 3/8	131	161	178	1,4	Fig. 1
SC(DU)G353A050	80	50	30	95	168	165	45	G 3/4	165	210	227	2,9	Fig. 1
SC(DU) G353-051	80	50	30	95	168	165	45	G 3/4	165	210	227	2,6	Fig. 1
SC(DU) G353-060	80	50	30	143	240	192	45	G 1/2	165	258	275	4,1	Fig. 2
SC(DU)G353A065	80	50	30	117	177	136	45	G 3/8	131	225	242	1,75	Fig. 3
SC(DU)G353A134	80	50	30	71	130	136	45	G 3/8	131	161	178	2,5	Fig. 4

(1) Incl. coil and connector

(C) Construction type