

## VARIABLE AREA FLOW METER

Flow Measurement

### LZS SERIES - ACRYLIC PLASTIC ROTAMETER

& Monitoring



#### DESCRIPTION

The LZS series of flowmeters operates according to the proven variable area principle. The float gets lifted by the flowing medium and indicates the flow with its upper edge on the scale attached to the device. If floats with integrated magnets are used, optionally, alarm contacts can be attached to the device. All devices possess a union glue connection type on the measuring tube. As an option, also threaded fittings made of PVC can be supplied. The main areas of application are water treatment, effluent technology, chemical and food processing industries and many others.

#### FEATURES

- ✓ Easy to read silkscreened scale
- ✓ Injection molded for liquid
- ✓ Simple and robust design with high operational safety
- ✓ Low pressure drop
- ✓ Easy to assemble
- ✓ Optional alarm contacts

#### TECHNICAL FEATURES

<b>Float Material</b>	ABS
<b>Guiding Rod Material</b>	Stainless Steel
<b>Tube Material</b>	Acrylic Plastic AS
<b>Connection Material</b>	PVC
<b>O-ring</b>	Viton
<b>Pressure</b>	Max 6 Bar
<b>Temperature</b>	Max 60°C
<b>Accuracy</b>	±5% M.V
<b>Mounting Position</b>	Vertical, flow from bottom to top
<b>Connection</b>	Union ends to suit BS standard (DN15 to DN65) DIN Flange type (DN80 to DN150) Threaded (optional)
<b>Alarm Contact (optional)</b>	High limit - KF951 (DN15 to DN50 only) Low limit - KF952 (DN15 to DN50 only)



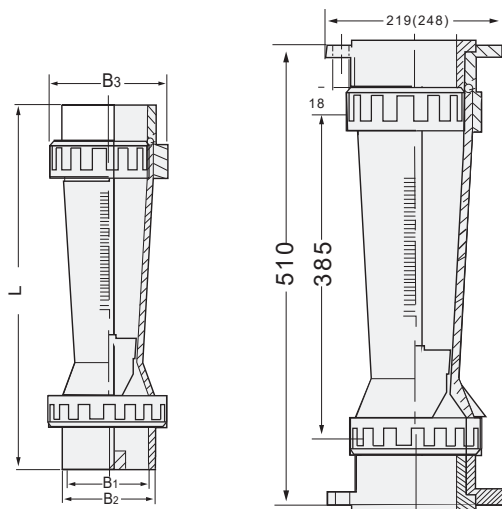
**FLOW / SPECIFICATIONS**

DN (mm)	Model	Measuring Range	Glue (mm)	Male	Female	Elbow
15	KN-15-B-40	4 - 40 L/h	Ø20	½" NPT ¾" NPT	½" BSP	½" BSP ½" NPT
	KN-15-B-60	6 - 60 L/h				
	KN-15-B-100	10 - 100 L/h				
	KN-15-B-160	16 - 160 L/h				
	KN-15-B-250	25 - 250 L/h				
	KN-15-B-400	40 - 400 L/h				
	KN-15-B-600	60 - 600 L/h				
	KN-15-B-1000	100 - 1000 L/h				
25	KN-25-B-1000	0.1 - 1 m3/h	Ø32	¾" NPT	¾" BSP ¾" NPT	¾" BSP ¾" NPT
	KN-25-B-1600	0.16 - 1.6 m3/h				
	KN-25-B-2500	0.25 - 2.5 m3/h				
32	KN-32-B-4000	0.4 - 4 m3/h	Ø40	1" NPT	1" BSP 1" NPT	1" BSP 1" NPT
	KN-32-B-6000	0.6 - 6 m3/h				
50	KN-50-B-4000	0.4 - 4 m3/h	Ø63	2" NPT	2" BSP 2" NPT	2" BSP 2" NPT
	KN-50-B-6000	0.6 - 6 m3/h				
	KN-50-B-10000	1 - 10 m3/h				
	KN-50-B-16000	1.6 - 16 m3/h				
65	KN-65-B-25000	5 - 25 m3/h	Ø75	/	2 ½" NPT	/
	KN-65-B-40000	8 - 40 m3/h				
	KN-65-B-60000	12 - 60 m3/h				
80 (Flange)	KN-80-B-25000	5 - 25 m3/h	/	Hole distance 160mm 8-Ø18 DIN Flange		
	KN-80-B-40000	8 - 40 m3/h				
	KN-80-B-60000	12 - 60 m3/h				
100 (Flange)	KN-100-B-60000	12 - 60 m3/h	/	Hole distance 180mm 8-Ø18 DIN Flange		
	KN-100-B-90000	18 - 90 m3/h				
	KN-100-B-120000	20 - 120 m3/h				
125 (Flange)	KN-125-B-120000	20 - 120 m3/h	/	Hole distance 210mm 8-Ø18 DIN Flange		
	KN-125-B-150000	25 - 150 m3/h				
150 (Flange)	KN-150-B-120000	20 - 120 m3/h	/	Hole distance 240mm 8-Ø22 DIN Flange		
	KN-150-B-150000	25 - 150 m3/h				
	KN-150-B-180000	30 - 180 m3/h				

ANSI 150# or JIS 10K flange available upon request



**DRAWING / DIMENSION**



DN15 to DN65

DN80 to DN150

DN (mm)	L (mm)	B1 (mm)	B2 (mm)	B3 (mm)
15	220	20	26	51
25	230	32	39	60
32	290	40	49	72
50	375	63	73	98
65	420	75	88	122
80	510	Hole distance 160mm 8-Ø18 (DIN Flange)		
100	510	Hole distance 180mm 8-Ø18 (DIN Flange)		
125	510	Hole distance 210mm 8-Ø18 (DIN Flange)		
150	510	Hole distance 240mm 8-Ø22 (DIN Flange)		

I-SYSTEM MEASUREMENT  
www.ismesb.com



VARIABLE AREA FLOW METER  
LZS SERIES - ACRYLIC PLASTIC ROTAMETER  
09-2020 I-SYSTEM 109037

I-SYSTEM  
**109/037**