

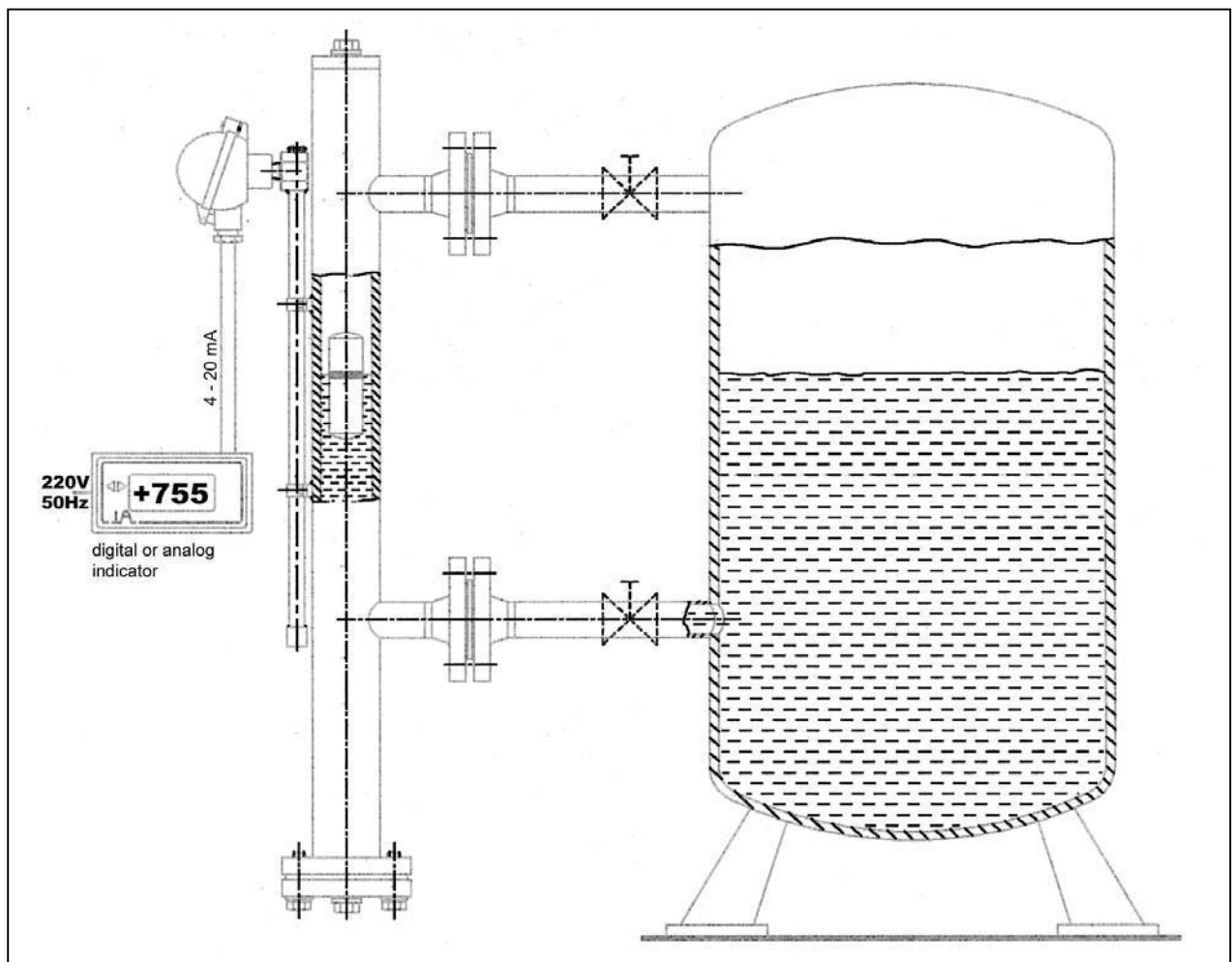
ITA - magnetically controlled level indicator with analog signal (4-20mA) - and digital display

Electrical level measurement transducers which use the displacemant principle must be recalibrated each time the fluid density is changed.

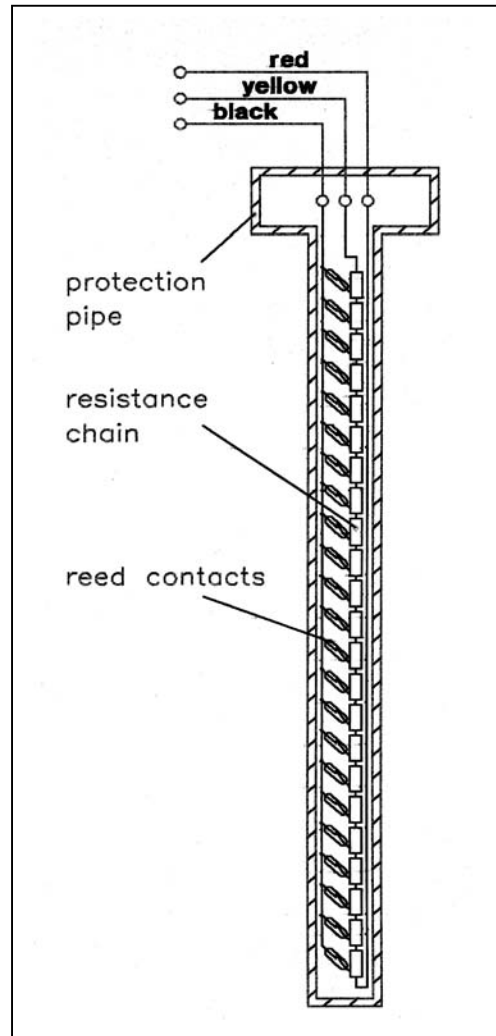
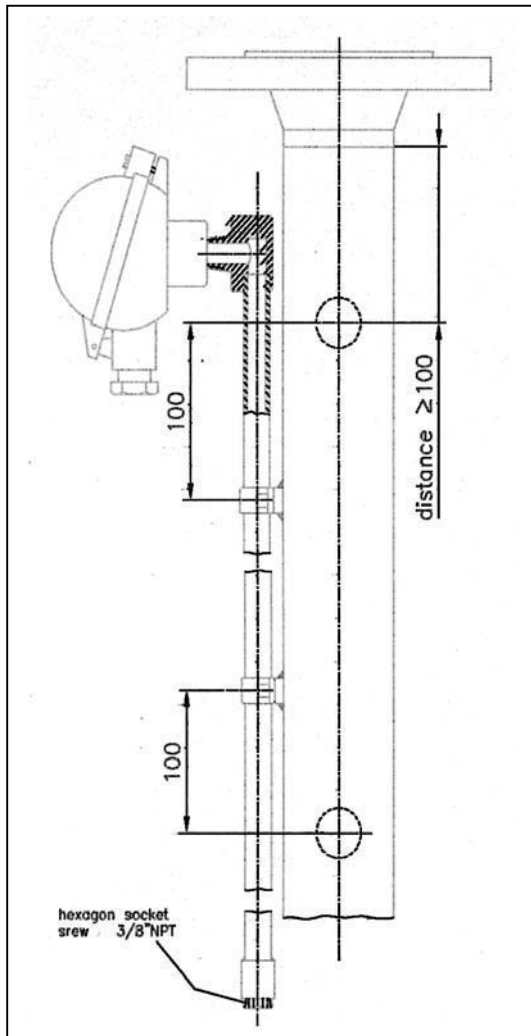
The price of a magnetically controlled level indicator with integral electrical measurement transducer is considerably lower than level measurement transducers.

The reed chain with an R/I measurement transducer can be changed without interrupting operation. The measurement chamber is hermetically sealed - there is no contact between the fluid chamber and the reed chain.

With the microprocessor-controlled level indicator unit type 420, the level can be displayed direct in any arbitrary physical measurement unit. The indicator has a curve calculator with which nonlinear tank contents can be displayed direct in cubic meters.



Niveau-source



Measuring principle:

The resistance chain with the reed contacts are built in a pipe made of material 316SS. This so called 'Reed Chain' is mounted on the float chamber with jubilee clips. According to movement of the float, the float magnet closes one reed contact which produces a voltage (or resistance) proportional to the height of the liquid in the tank. You get a near-analogous output signal, with a resolution of about 10 mm.

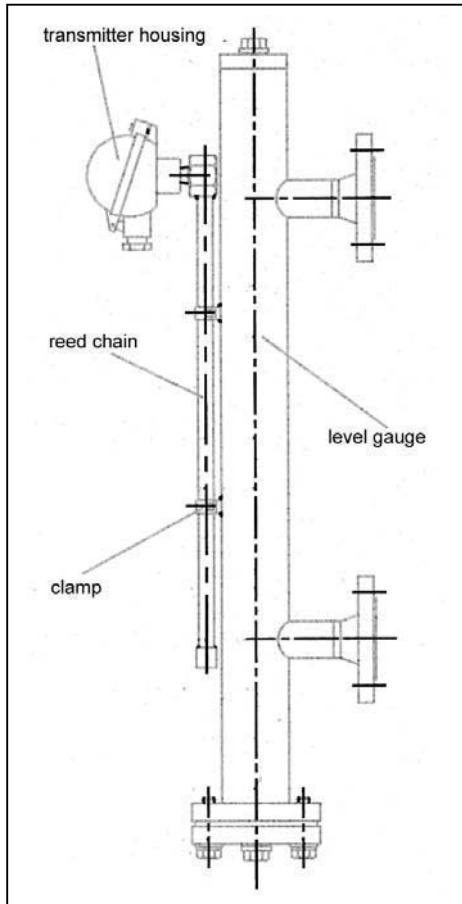
The resistance chain receives its power supply from the transmitter. The 4-20mA transmitter output signal can be given to an indicator or can be used to drive alarm contacts. In the case of an error the output signal becomes higher than 22mA.

Connection:

As a standard the reed chain is supplied with a transmitter that is installed inside the housing-head, 2-wire connection to the transmitter, is only required.

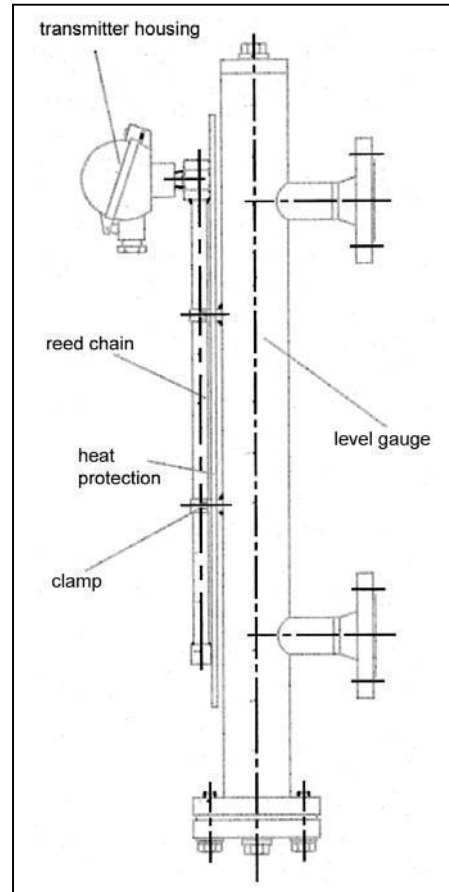
Standart reed chain

Max. medium temperature: 150°C
 Protection pipe: Ø 14mm
 Material 316Ti
 Encosure: IP65

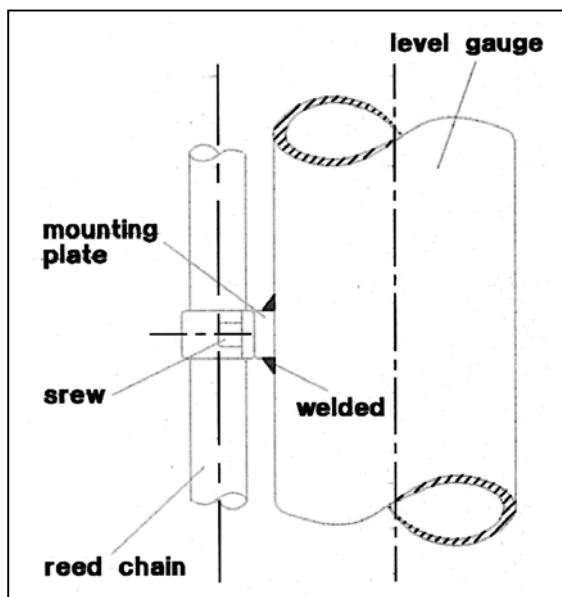


Reed chain for higher temperature

Max. medium temperature: 400°C
 Protection pipe: Ø 14mm
 Material 316Ti
 Encluse: IP65
 Heat protection: 50 x 4mm

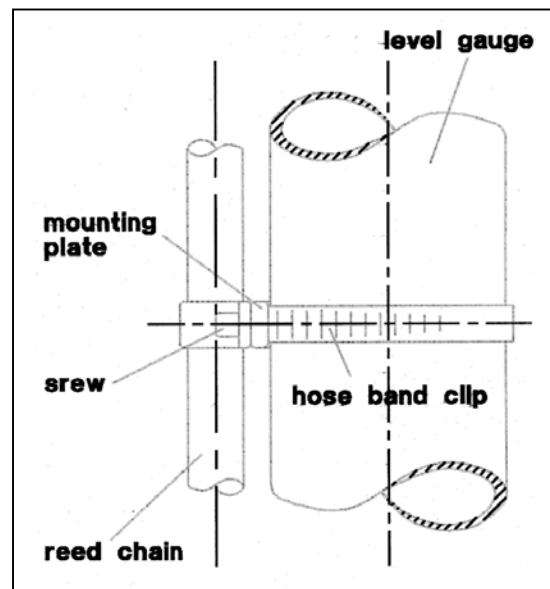


Clamp standart



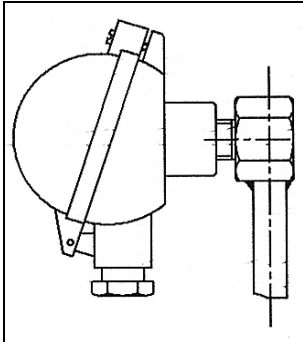
Clamp special

Will be needed by armaflex isolation and secondary mounting off a reed chain.



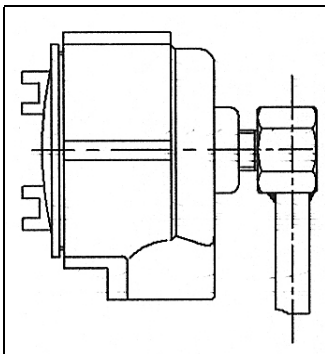
Available housings

Available transmitters



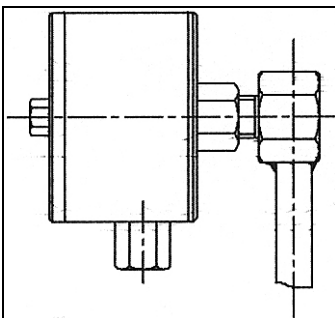
Standard-transmitter-housing

- material aluminium
- Pg16 entry



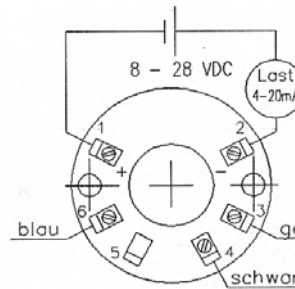
Exd transmitter housing

- material aluminium epoxy coated
- 1/2 » NPT cable entry



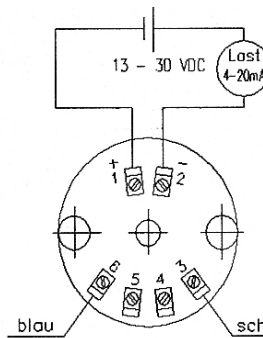
Stainless steel transmitter housing

- material 316 Ti
- M20-1,5 entry



Type :INT 5333B

- EExia IIC T5/T6
- output: 4 – 20 mA
- power supply 2 – 36 VDC
- lineary: $\pm 0,1 \%$



Type: TMT 182

- EExia IIC T4
- output: 4 – 20 mA (Hart-Protocol)
- power supply 13 – 30 VDC
- lineary: 400 Ω -area $\pm 0,04 \Omega$
4000 Ω -area $\pm 0,5 \Omega$
- input: 5-400 Ω / 50-4000 Ω