



# ***Kämmer® Series 035000*** ***Standard Valves***



***Experience In Motion***

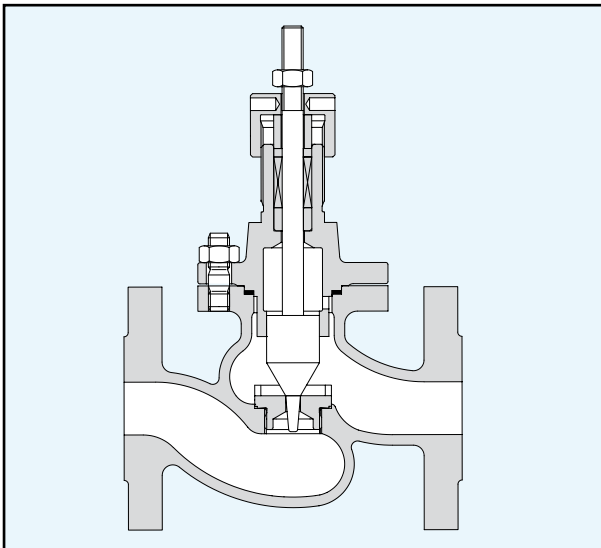
## Kammer Series 035000

### Description

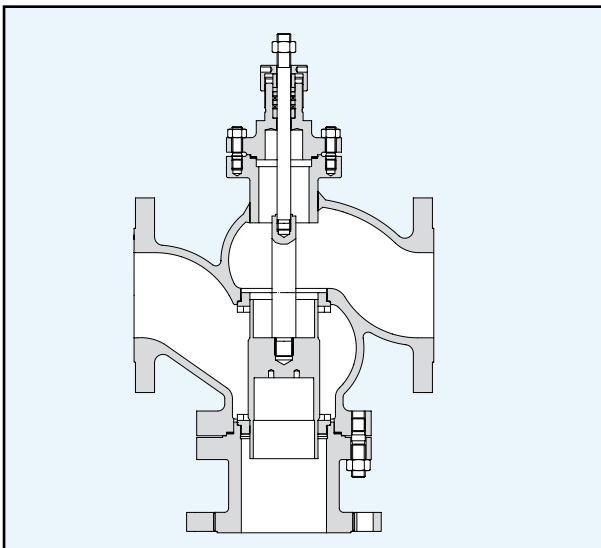
The series 035000 are General Service Valves for special requirements. Ranging from 1" (DN25) to 6" (DN150) this valve series offers many possibilities. Designed mainly in special materials such as Hastelloy, Alloy 20 or other rare materials, the Series 035000 becomes the solution for your application in any pressure class up to CL2500 or PN400. For pressure classes up to CL600 (PN63) it is also available in stainless steel or carbon steel. The series is available as ANSI or DIN and in globe, angle or 3-way valve design.

The series 035000 can also be used as an engineered product to fulfill special applications or customer requests. Low noise trims, anti-cavitation inserts, high pressure bellows seals, steam jackets or low emission packing system "SureGuard HP" in accordance with the German TA-Luft are available.

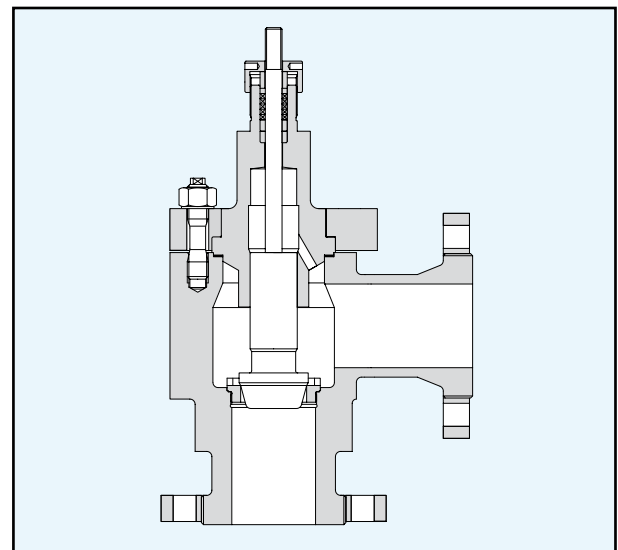
The 035000, with its further reaching possibilities, is a perfect extension to Flowserve's "FlowTop" General Service valve series.



Series 035000 globe valve



Series 033000 3-way valve



Series 031000 angle valve

## Kammer Series 035000

### Technical Data

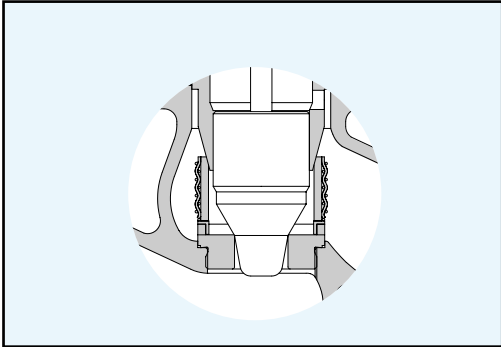
<b>Valve body styles</b>	Globe-, angle-, 3-way valves
<b>Characteristics</b>	Equal %, Linear, On - Off
<b>Seat leakage, standard</b>	< 0.01% of rated C <sub>vs</sub> value, class IV acc. to DIN IEC 534 - other requirements on request
<b>Material for plug / seat ring</b>	316 stainless steel, with hard faced plug shaft (≥ DN 25). Alloy 6 facing, Hastelloy B/C, Nickel, Monel, Titanium, Ceramics, Tungsten carbide optional. Noise reduction by multi-hole cage plug and additional silencer inside the valve body
<b>PTFE soft seat T = max. 150 °C (300 °F)</b>	Valve plug with PTFE insert for ≥ C <sub>vs</sub> 0.1
<b>Packing</b>	PTFE for temperatures up to 200 °C (392 °F) Grafoil for temperatures over 200 °C (392 °F) PTFE for oxygen service Packing according to German clean air act (TA-Luft)
<b>Body gaskets</b>	PTFE for temperatures up to 200 °C (392 °F) Grafoil for temperatures over 200 °C (392 °F)
<b>Extensions</b>	Standard, normalising fins, bellows seal
<b>Steam jacket connections</b>	Screwed G ½", flanges DN 15 PN 40
<b>C<sub>vs</sub>-values</b>	See table on page 6

Valve sizes	ANSI	½"	1"	1½"	2"	3"	4"	6"
<b>Stroke</b>	mm (in.)	10 (0.39)	20 (0.79)	20 (0.79)	20 (0.79)	40 (1.57)	40 (1.57)	40 (1.57)
<b>ANSI flanges</b>	Class 150/300	x	x	x	x	x	x	x
	Class 600/900	x	x	x	x	x	x	x
<b>Body materials:</b>								
<b>Forged steel</b>	C22.8 (1.0460)	x						
	A105 (1.0432)	x	x	x	x			
	1.4571* (316Ti)	x	x	x	x			
<b>Cast carbon steel</b>	GS-C25N (1.0619)		x	x	x	x	x	x
	WCB (1.1136)		x	x	x	x	x	
<b>Cast stainless steel</b>	1.4581	x	x	x	x	x	x	x
	CF3M*	x	x	x	x	x	x	x

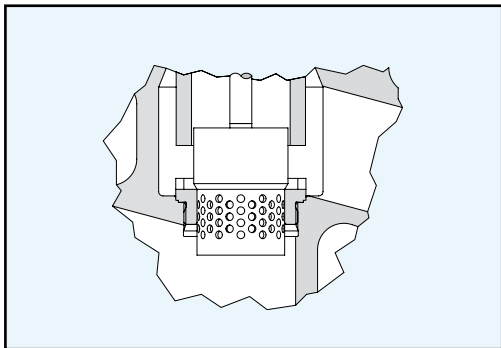
\*Material for cryogenic applications down to -270 °C (-450 °F). Bodies also available in Hastelloy C276 (2.4618), Monel 400 (2.4368) and Inconel 600 (2.4816). Other stainless steel and nickel based alloys on request.

***Kammer Series 035000***

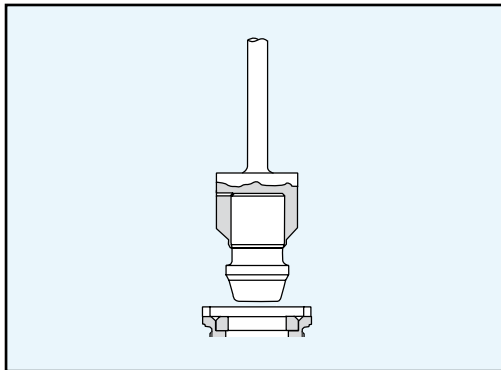
**Designs**



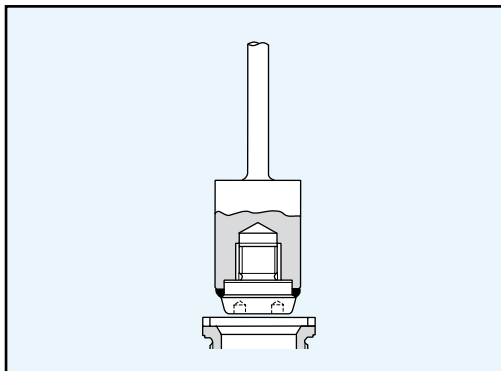
Silencer



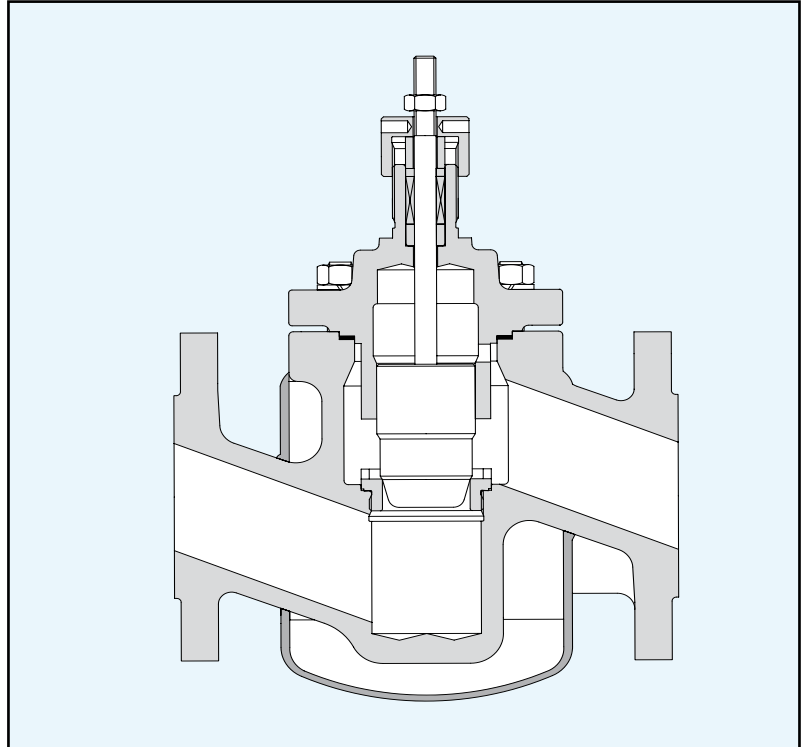
Multi-hole cage plug.



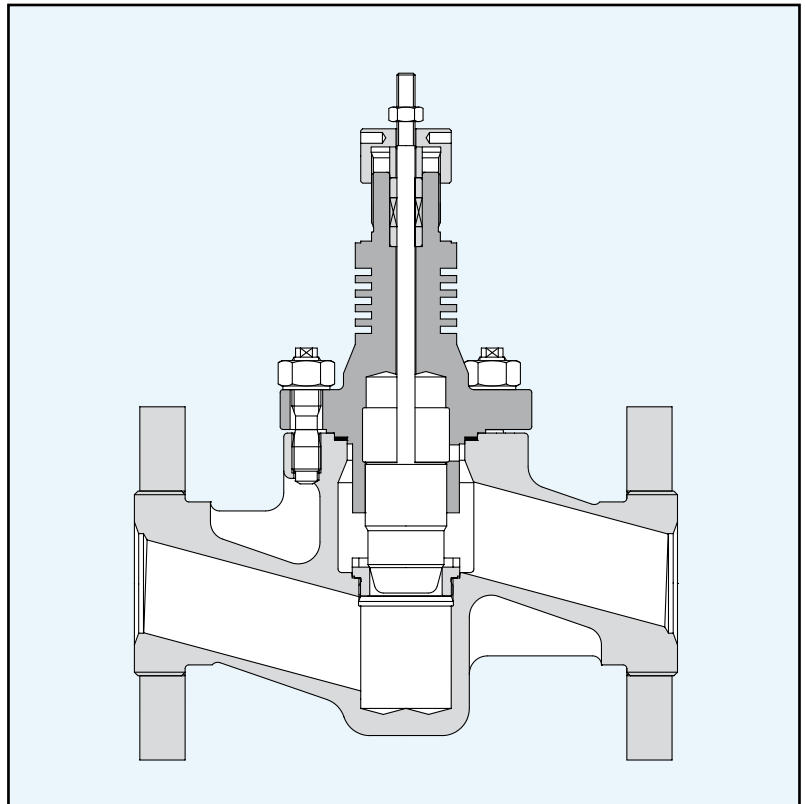
Ceramics or tungsten carbide plug tip and seat.



Trim with PTFE soft seat T = max. 150 °C (300 °F).



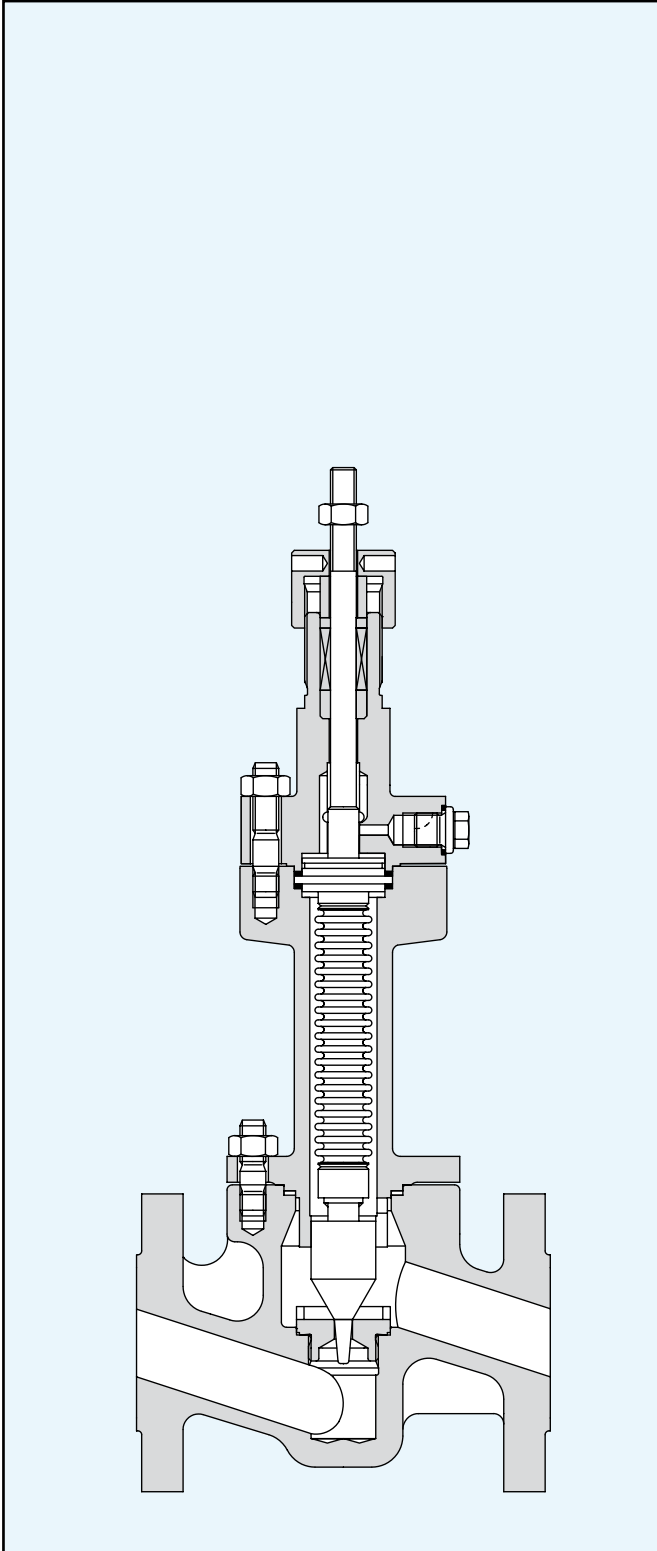
Valve with steam jacket.



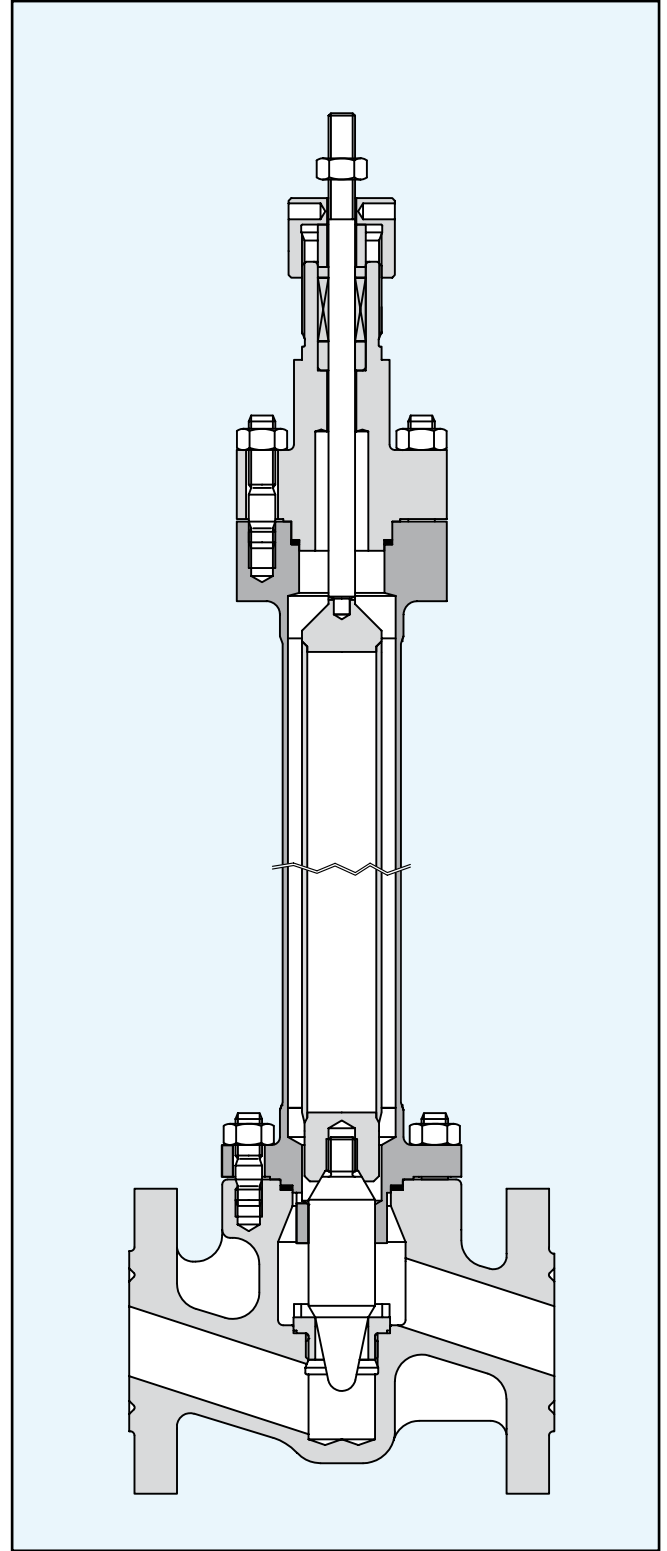
Normalising fins from -30 to 0 °C (-22 to 32 °F) and +200 to 400 °C (-390 to 750 °F).

## Kammer Series 035000

### Designs



Bellows seals are available up to 270 bar service pressure. Standard bellows material is 321 stainless steel. Special materials for extraordinary service on request.



Control valve with extension for cryogenic service. Body and extension material 321 stainless steel for service temperatures down to -196 °C (-321 °F).

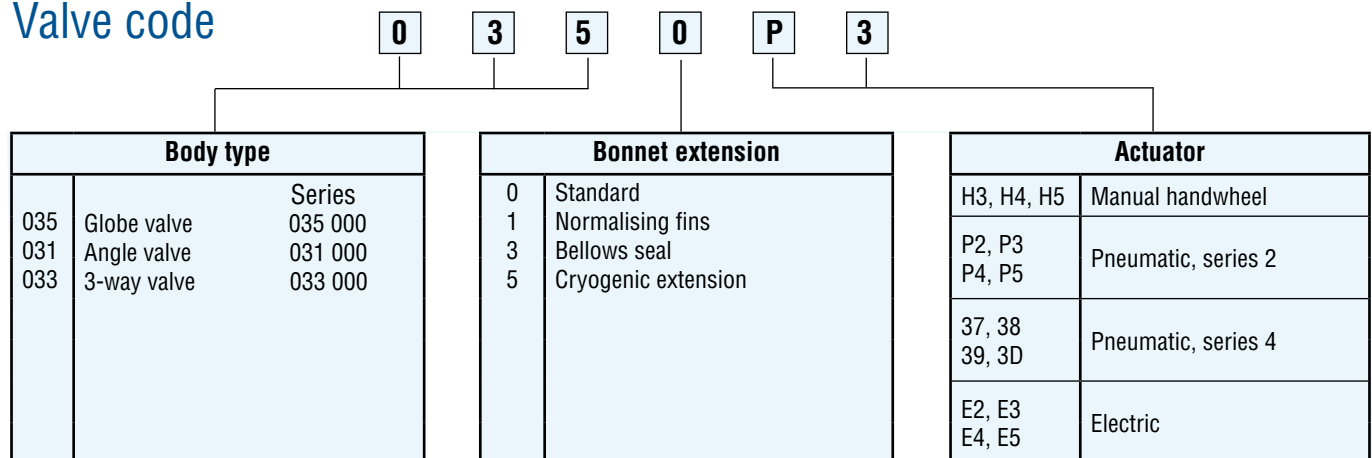
## Kammer Series 035000

### Standard $C_{VS}$ -values

								$C_{VS}$ -value*	Seat diameter mm (in.)	Rangeability**	Seat material (standard)	Plug material (standard)
Size DIN	15	25	40	50	80	100	150					
Size ANSI	½"	1"	1½"	2"	3"	4"	6"					
Stroke (mm)	10	20	20	20	40	40	40					
Stem diameter (mm)	6	10	10	10	16	16	16					
								0.012	3 (0.19)	50:1	Alloy 6	316Ti
								0.019				
								0.029				
								0.046				
								0.074	4.5 (0.78)			
								0.12				
								0.19				
								0.29				
								0.46	7 (0.28)			
								0.74				
								1.2	10 (0.39)			
								1.6				
								2.9	12 (0.47)			
								4.6				
								7.4	16 (0.63)			
								12				
								19	20 (0.79)			
								29				
								46	25 (0.98)			
								74				
120	32 (1.26)											
190												
290	40 (1.57)											
460												
	50 (1.97)											
	63 (2.48)											
	80 (3.15)											
	100 (3.94)											
	125 (4.92)											

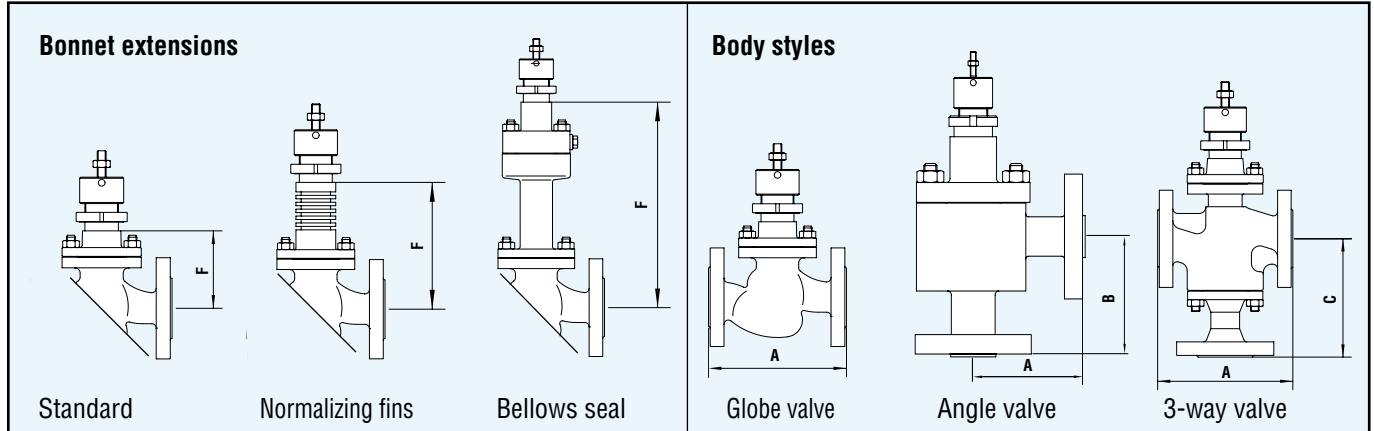
\*  $C_{VS} \leq 0,25 = K_V \times F_R$  in acc. with IEC 534 (more Information on request)    \*\* For calibrating conditions  
Further special  $K_{VS}$  trims on request.

### Valve code



## Kammer Series 035000

Dimensions mm (in.) and Weights kg (lb.)



Face to face dimensions A / B / C, ANSI design RF mm (in.)

Size	Globe Valve Dimension A						Angle Valve Dimension A / B						3-way valve Dim. C	
	Class 150	Class 300	Class 600	Class 900	Class 1500	Class 2500	Class 150	Class 300	Class 600	Class 900	Class 1500	Class 2500	Class 150	Class 300
1/2"	178 (7.00)	190 (7.50)	203 (8.00)	216 (8.50)	216 (8.50)	264 (10.39)	89 (3.50)	95 (3.75)	102 (4.00)	108 (4.25)	108 (4.25)	132 (5.20)	-	-
1"	184 (7.25)	197 (7.75)	210 (8.27)	254 (10.00)	254 (10.00)	308 (12.13)	92 (3.62)	98 (3.86)	105 (4.13)	127 (5.00)	127 (5.00)	154 (6.06)	140 (5.50)	140
1 1/2"	222 (8.75)	235 (9.25)	251 (9.87)	305 (12.00)	305 (12.00)	384 (15.12)	111 (4.37)	117 (4.60)	125 (4.92)	152 (6.00)	152 (6.00)	192 (7.56)	171 (6.73)	171 (6.73)
2"	254 (10.00)	267 (10.50)	286 (11.25)	368 (14.50)	368 (14.50)	451 (17.75)	127 (5.00)	133 (5.25)	143 (5.63)	184 (7.25)	184 (7.25)	225 (8.86)	171 (6.73)	171 (6.73)
3"	298 (11.75)	318 (12.50)	337 (13.27)	381 (15.00)	470 (18.50)	578 (22.75)	149 (5.87)	159 (6.26)	168 (6.61)	190 (7.48)	235 (9.25)	289 (11.38)	279 (11.00)	279 (11.00)
4"	352 (13.87)	368 (14.50)	394 (15.50)	457 (18.00)	546 (21.50)	673 (14.50)	176 (6.93)	184 (7.24)	197 (7.76)	229 (9.00)	273 (10.75)	273 (10.75)	279 (11.00)	279 (11.00)
6"	451 (17.75)	473 (18.62)	508 (20.00)	610 (24.00)	705 (27.75)	914 (36.00)	225 (8.86)	236 (9.29)	254 (10.00)	305 (12.00)	352 (13.85)	457 (18.00)	362 (14.25)	362 (14.25)

Height F mm (in.) and weight kg (lb.), ANSI design RF

DN	Standard						Normalising fins				Bellows seal			
	Class 150 - 300		Class 600 - 900		Class 1500 - 2500		Class 150 - 900		Class 1500 - 2500		Class 150 - 300		Class 600 - 900	
	Height	Weight	Height	Weight	Height	Weight	Height	Weight	Height	Weight	Height	Weight	Height	Weight
1/2"	90 (3.55)	7 (15.4)	130 (5.12)	21 (46.3)	130 (5.12)	31 (68.3)	130 (5.12)	7.5 (16.5)	130 (5.12)		195 (7.70)	9 (19.8)	250 (9.25)	
1"	90 (3.55)	8.5 (18.7)	150 (5.90)	46 (101.4)	150 (5.90)	31 (68.3)	150 (5.90)	9 (19.8)	150 (5.90)		240 (9.50)	11 (24.3)	310 (12.00)	
1 1/2"	130 (5.12)	15 (33.0)	190 (7.50)	51 (112.5)	190 (7.50)	61 (134.5)	188 (7.40)	16 (35.3)	190 (7.50)		270 (10.65)	21 (46.3)	340 (13.38)	
2"	135 (3.31)	18 (40.0)	190 (7.50)		190 (7.50)		193 (7.60)	19 (42.0)	190 (7.50)		270 (10.65)	24 (53.0)	340 (13.38)	
3"	200 (7.87)	42 (92.6)	260 (10.25)				260 (10.25)	44 (97.0)			430 (17.00)	48 (106.0)		
4"	225 (8.86)	51 (112.5)	285 (11.22)				285 (11.22)	53 (117.0)			455 (18.00)	57 (126.0)		
6"	330 (13.00)	130 (286.5)	390 (15.35)				390 (15.35)	135 (298.0)			430 (16.93)	139 (307.0)		



**Worldwide Regional Headquarters**

**Flowserve Corporation**  
 Flow Control  
 1350 N. Mt. Springs Parkway  
 Springville, UT 84663  
 USA  
 Phone: +1 801 489 8611  
 Fax: +1 801 489 3719

**Flowserve (Austria) GmbH**  
 Control Valves - Villach Operation  
 Kasernengasse 6  
 9500 Villach  
 Austria  
 Phone: +43 (0)4242 41181 0  
 Fax: +43 (0)4242 41181 50

**Flowserve India Controls Pvt. Ltd**  
 Plot # 4, 1A, E.P.I.P, Whitefield  
 Bangalore Karnataka  
 India 560 066  
 Phone: +91 80 284 10 289  
 Fax: +91 80 284 10 286

**Kämmer Products**  
 Europe, Middle East, Africa, Asia, Pacific

**Flowserve Essen GmbH**  
 Manderscheidtstr. 19  
 45141 Essen  
 Germany  
 Phone: +49 (0)201 8919 5  
 Fax: +49 (0)201 8919 662

**Kämmer Products**  
 Americas

**Flowserve (FCD)**  
**Kämmer Valves INC.**  
 1300 Parkway View Drive  
 Pittsburgh, Pa 15205  
 USA  
 Tel.: +1 412 787 8803  
 Fax: +1 412 787 1944

Your contact:

KMENBR3520-01 05/08

Flowserve Corporation has established industry leadership in the design and manufacture of its products. When properly selected, this Flowserve product is designed to perform its intended function safely during its useful life. However, the purchaser or user of Flowserve products should be aware that Flowserve products might be used in numerous applications under a wide variety of industrial service conditions. Although Flowserve can (and often does) provide general guidelines, it cannot provide specific data and warnings for all possible applications. The purchaser/user must therefore assume the ultimate responsibility for the proper sizing and selection, installation, operation, and maintenance of Flowserve products. The purchaser/user should read and understand the Installation Operation Maintenance (IOM) instructions included with the product, and train its employees and contractors in the safe use of Flowserve products in connection with the specific application.

While the information and specifications contained in this literature are believed to be accurate, they are supplied for informative purposes only and should not be considered certified or as a guarantee of satisfactory results by reliance thereon. Nothing contained herein is to be construed as a warranty or guarantee, express or implied, regarding any matter with respect to this product. Because Flowserve is continually improving and upgrading its product design, the specifications, dimensions and information contained herein are subject to change without notice. Should any question arise concerning these provisions, the purchaser/user should contact Flowserve Corporation at any one of its worldwide operations or offices.

© 2006 Flowserve Corporation, Irving, Texas, USA. Flowserve is a registered trademark of Flowserve Corporation.