

# SINGLE FUNCTION PRESSURE CONTROLS

Type **SNS & HNS**

**SAGInoMIYA**

## GENERAL DESCRIPTION

- For use with fluorinated refrigerants as well as with air and water. (Allowable fluid temp.: -20 to 120°C)
- Type SNS for universal application.
- Type HNS for high pressure safety cut out.
- Available drip proof enclosure for marine application or explosion proof enclosure for special application.
- Mounting bracket is supplied as standard.
- With SPDT contact mechanism.
- IP44 with upper lid (option).
- Stainless steel models are available upon request.



Type SNS



Type HNS

**CE** mark applicable (available upon request)

**UL** recognized (available upon request)

## SPECIFICATIONS

- Fluid temperature: -20 to 120°C
- Ambient temperature: -20 to 70°C

## TYPE NUMBER SELECTION

Type SNS—Automatic reset type

Unit: MPa {kgf/cm<sup>2</sup>}

Catalog No.	Range		Differential		Factory Setting		Max. Working Pressure	Contact Function	Wt. (kg)		
	Min.	Max.	Min.	Max.	Off (On)	On (Off)					
<b>SNS-C101X</b>	-0.06 {-50cmHg}	0.1 {1}	0.015 {0.15}	0.05 {0.5}	0.025 {0.25}	0.05 {0.5}	0.3 {3}	Diagram 1	0.33		
<b>SNS-C102X</b>	-0.02 {-20cmHg}	0.2 {2}	0.025 {0.25}	0.15 {1.5}			0.5 {5}				
<b>SNS-C103X</b>	-0.06 {-50cmHg}	0.3 {3}	0.035 {0.35}	0.2 {2}	0.05 {0.5}	0.15 {1.5}	1 {10}				
<b>SNS-C104X</b>	-0.06 {-50cmHg}	0.4 {4}	0.04 {0.4}		0.1 {1}	0.2 {2}					
<b>SNS-C106X</b>	-0.06 {-50cmHg}	0.6 {6}	0.06 {0.6}	0.4 {4}	0.2 {2}	0.3 {3}	1.5 {15}				
<b>SNS-C110X</b>	0.1 {1}	1 {10}	0.1 {1}	0.3 {3}	0.4 {4}	0.6 {6}	3 {30}				
<b>SNS-C120X</b>	0.5 {5}	2 {20}	0.2 {2}	0.5 {5}	1.2 {12}	1.5 {15}					
<b>SNS-C130X</b>		3 {30}	0.3 {3}	1 {10}	2 {20}	2.5 {25}				3.3 {33}	
<b>SNS-C135X</b>	1 {10}	3.5 {35}	0.5 {5}	1.5 {15}	2.5 {25}	3 {30}	3.8 {38}				

Type SNS—Manual reset type

Unit: MPa {kgf/cm<sup>2</sup>}

Catalog No.	Range		Manual Reset	* Factory Setting		Max. Working Pressure	Contact Function	Wt. (kg)
	Min.	Max.		Off	On			
<b>SNS-C102XM2</b>	-0.02 {-20cmHg}	0.2 {2}	Automatic operation on pressure decrease, and manual reset on pressure increase ※1	0.025 {0.25}	Manual Reset	0.5 {5}	Diagram 2	0.33
<b>SNS-C106XM2</b>	-0.06 {-50cmHg}	0.6 {6}		0.2 {2}		1.5 {15}		
<b>SNS-C130XM2</b>	0.5 {5}	3 {30}		2 {20}		3.3 {33}		

\* Based on the 1-3 terminal connection.

Type HNS—Automatic reset type

Unit: MPa {kgf/cm<sup>2</sup>}

Catalog No.	Range		Differential Fixed	* Factory Setting		Max. Working Pressure	Contact Function	Wt. (kg)
	Min.	Max.		Off	On			
<b>HNS-C130X</b>	0.8 {8}	3 {30}	0.3 to 0.5 {3 to 5}	2 {20}	1.6 {16}	3.3 {33}	Diagram 3	0.24

\* Based on the 1-3 terminal connection.

Type HNS—Manual reset type

Unit: MPa {kgf/cm<sup>2</sup>}

Catalog No.	Range		Manual Reset	* Factory Setting		Max. Working Pressure	Contact Function	Wt. (kg)
	Min.	Max.		Off	On			
<b>HNS-C130XM1</b>	0.8 {8}	3 {30}	Automatic operation on pressure increase, and manual reset on pressure decrease ※2	2 {20}	Manual Reset	3.3 {33}	Diagram 4	0.24

\* Based on the 1-3 terminal connection.

• Enclosure: IP20

• Drip Proof Models: Available upon request. (Refer to page 48, 49, 50, 51.)

※1 Please press the reset button after the pressure increased at specified point.

Pressure Range : 02 ... about 0.04 MPa

06 ... about 0.1 MPa

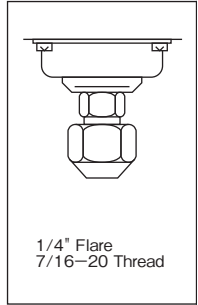
30 ... about 0.5 MPa

※2 Please press the reset button after the pressure decreased about 0.7 MPa or less.

## ELECTRICAL RATINGS

Rated Current (A)	Rated Voltage (V)	Power Factor (cos φ)	125/250V. AC
Non-Inductive Current		1	12
Inductive Current		0.75	
Inrush Current		—	72

## PRESSURE CONNECTIONS



Standard

Refer to page 45, 46.

## CONTACT FUNCTIONS

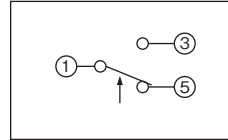


Diagram 1

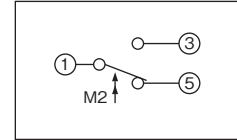


Diagram 2

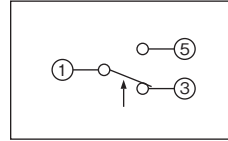


Diagram 3

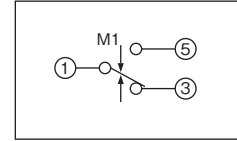


Diagram 4

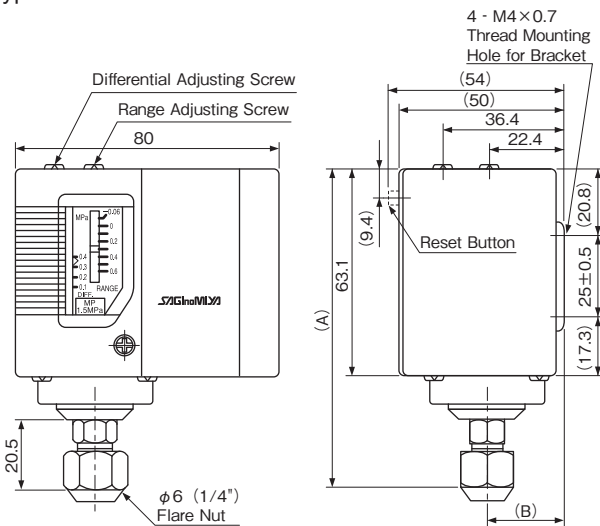
	Diagram 1 & 2	Diagram 3 & 4
1	Common Terminal	Common Terminal
3	Open on Pressure Increase	Open on Pressure Increase
5	Open on Pressure Decrease	Open on Pressure Decrease

↑ : Operating direction on press. increase at High Press. Side  
M1↓, M2↑ : Operating direction on manual reset

## DIMENSIONS

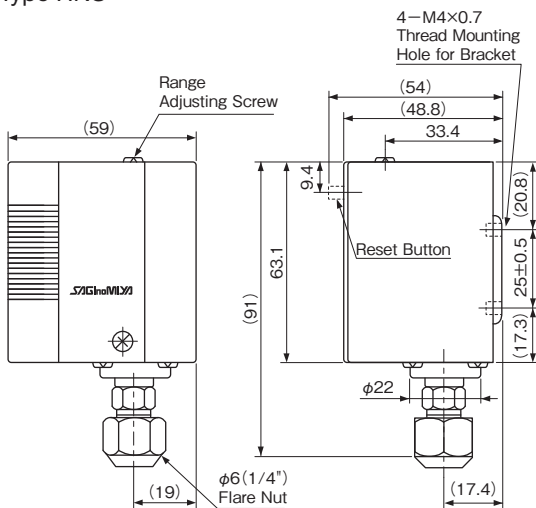
Standard

Type SNS



Catalog No.	Unit: mm	
	A	B
SNS-C101X	113.3	22.4
SNS-C102X	99.7	
SNS-C103X	99.7	
SNS-C104X	96.8	
SNS-C110X	95.9	
SNS-C120X	93.5	18.4
SNS-C130X	93.5	
SNS-C102XM2	99.7	22.4
SNS-C106XM2	96.8	
SNS-C130XM2	93.5	18.4

Type HNS



Unit: mm