

Technical Information

Proline Prowirl F 200

Vortex flowmeter



The flowmeter with wet steam detection, available as compact or remote device version

Application

- Preferred measuring principle for wet/saturated/superheated steam, gases & liquids (also cryogenic)
- Suitable for a wide range of applications; optimized for steam applications

Device properties

- Wet steam detection and measurement for DN 25 to 100 (1 to 4")
- Inlet run compensation
- Face-to-face length according to industry standard
- Display module with data transfer function
- Robust dual-compartment housing
- Plant safety: worldwide approvals (SIL, Haz. area)

Your benefits

- Integrated temperature measurement for mass/energy flow of saturated steam
- Highest process safety – dualsens version enables redundant measurement
- High availability – proven robustness, resistance to vibrations, temperature shocks & water hammer
- No maintenance – lifetime calibration
- Convenient device wiring – separate connection compartment
- Safe operation – no need to open the device due to display with touch control, background lighting
- Integrated verification – Heartbeat Technology™

Table of contents

| | | | |
|--|-----------|--|-----------|
| Document information | 3 | Electromagnetic compatibility (EMC) | 55 |
| Symbols used | 3 | | |
| Function and system design | 3 | Process | 56 |
| Measuring principle | 3 | Medium temperature range | 56 |
| Measuring system | 8 | Pressure-temperature ratings | 56 |
| | | Secondary containment pressure rating | 58 |
| Input | 8 | Pressure loss | 58 |
| Measured variable | 8 | Thermal insulation | 58 |
| Measuring range | 9 | Vibrations | 59 |
| Operable flow range | 10 | | |
| Input signal | 10 | Mechanical construction | 59 |
| | | Dimensions in SI units | 59 |
| Output | 11 | Dimensions in US units | 71 |
| Output signal | 11 | Weight | 76 |
| Signal on alarm | 13 | Materials | 80 |
| Load | 14 | Process connections | 83 |
| Ex connection data | 15 | | |
| Low flow cut off | 19 | Operability | 83 |
| Galvanic isolation | 20 | Operating concept | 83 |
| Protocol-specific data | 20 | Local operation | 83 |
| | | Remote operation | 84 |
| Power supply | 26 | Service interface | 86 |
| Terminal assignment | 26 | | |
| Pin assignment, device plug | 28 | Certificates and approvals | 87 |
| Supply voltage | 28 | CE mark | 87 |
| Power consumption | 29 | C-Tick symbol | 87 |
| Current consumption | 29 | Ex approval | 87 |
| Power supply failure | 30 | Functional safety | 89 |
| Electrical connection | 30 | HART certification | 89 |
| Potential equalization | 34 | FOUNDATION Fieldbus certification | 89 |
| Terminals | 34 | Certification PROFIBUS | 89 |
| Cable entries | 34 | Pressure Equipment Directive | 89 |
| Cable specification | 34 | Experience | 89 |
| Overvoltage protection | 35 | Other standards and guidelines | 89 |
| | | | |
| Performance characteristics | 36 | Ordering information | 90 |
| Reference operating conditions | 36 | | |
| Maximum measured error | 36 | Application packages | 90 |
| Repeatability | 38 | Diagnostics functions | 91 |
| Response time | 38 | Heartbeat Technology | 91 |
| Influence of ambient temperature | 38 | Air and industrial gases | 91 |
| | | Natural gas | 91 |
| Installation | 39 | Wet steam detection | 91 |
| Mounting location | 39 | Wet steam measurement | 92 |
| Orientation | 39 | | |
| Inlet and outlet runs | 40 | Accessories | 92 |
| Length of connecting cable | 42 | Device-specific accessories | 92 |
| Installing the wall-mount housing | 43 | Communication-specific accessories | 94 |
| Special mounting instructions | 43 | Service-specific accessories | 94 |
| | | System components | 95 |
| Environment | 44 | | |
| Ambient temperature range | 44 | Supplementary documentation | 95 |
| Storage temperature | 55 | Standard documentation | 95 |
| Climate class | 55 | Supplementary device-dependent documentation | 96 |
| Degree of protection | 55 | | |
| Vibration resistance | 55 | Registered trademarks | 96 |

Document information

Symbols used

Electrical symbols

| Symbol | Meaning | Symbol | Meaning |
|--------|--|--------|--|
| | Direct current | | Alternating current |
| | Direct current and alternating current | | Ground connection A grounded terminal which, as far as the operator is concerned, is grounded via a grounding system. |
| | Protective ground connection A terminal which must be connected to ground prior to establishing any other connections. | | Equipotential connection A connection that has to be connected to the plant grounding system: This may be a potential equalization line or a star grounding system depending on national or company codes of practice. |

Symbols for certain types of information

| Symbol | Meaning |
|--------|--|
| | Permitted Procedures, processes or actions that are permitted. |
| | Preferred Procedures, processes or actions that are preferred. |
| | Forbidden Procedures, processes or actions that are forbidden. |
| | Tip Indicates additional information. |
| | Reference to documentation |
| | Reference to page |
| | Reference to graphic |
| | Visual inspection |

Symbols in graphics

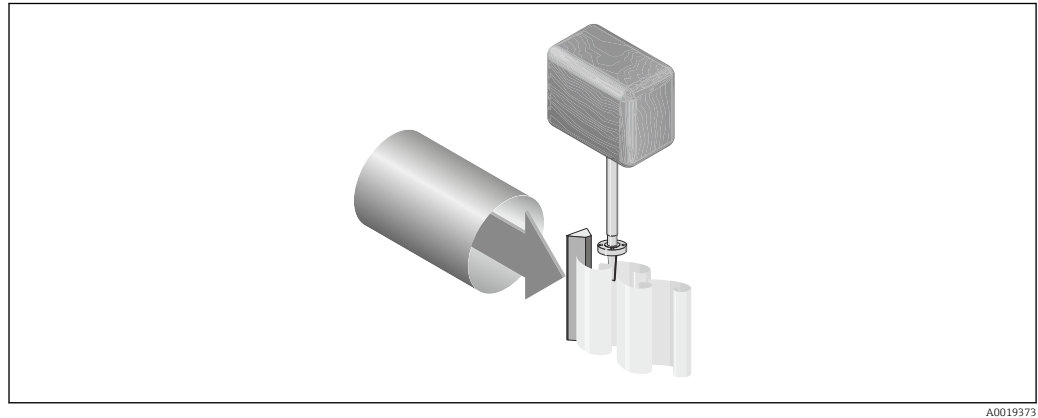
| Symbol | Meaning | Symbol | Meaning |
|--------------|----------------|--------------------|--------------------------------|
| 1, 2, 3,... | Item numbers | | Series of steps |
| A, B, C, ... | Views | A-A, B-B, C-C, ... | Sections |
| | Hazardous area | | Safe area (non-hazardous area) |
| | Flow direction | | |

Function and system design

Measuring principle

Vortex meters work on the principle of the *Karman vortex street*. When fluid flows past a bluff body, vortices are alternately formed on both sides with opposite directions of rotation. These vortices each generate a local low pressure. The pressure fluctuations are recorded by the sensor and converted to

electrical pulses. The vortices develop very regularly within the permitted application limits of the device. Therefore, the frequency of vortex shedding is proportional to the volume flow.



A0019373

The calibration factor (K-factor) is used as the proportional constant:

$$\text{K-Factor} = \frac{\text{Pulses}}{\text{Unit Volume [m}^3\text{]}}$$

A0003939-EN

Within the application limits of the device, the K-factor only depends on the geometry of the device. It is for $Re > 20\,000$:

- Independent of the flow velocity and the fluid properties viscosity and density
- Independent of the type of substance under measurement: steam, gas or liquid

The primary measuring signal is linear to the flow. After production, the K-factor is determined in the factory by means of calibration. It is not subject to long-time drift or zero-point drift.

The device does not contain any moving parts and does not require any maintenance.

The capacitance sensor

The sensor of a vortex flowmeter has a major influence on the performance, robustness and reliability of the entire measuring system.

The robust DSC sensor is:

- burst-tested
- tested against vibrations
- tested against thermal shock (thermal shocks of 150 K/s)

The Prowirl uses the tried-and-tested capacitance measuring technology of Endress+Hauser applied in over 300 000 measuring points worldwide.

The DSC (differential switched capacitance) sensor patented by Endress+Hauser has complete mechanical balancing. It only reacts to the measured variable (vortex) and does not react to vibrations. Even in the event of pipe vibrations, the smallest of flows can be reliably measured at low density thanks to the unimpaired sensitivity of the sensor. Thus, the wide turndown is also maintained even in the event of harsh operating conditions. Vibrations up to 1 g at least, at frequencies up to 500 Hz in every axis (X, Y, Z), do not affect the flow measurement. Thanks to its design, the capacitance sensor is also particularly mechanically resistant to temperature shocks and pressure shocks in steam pipelines.

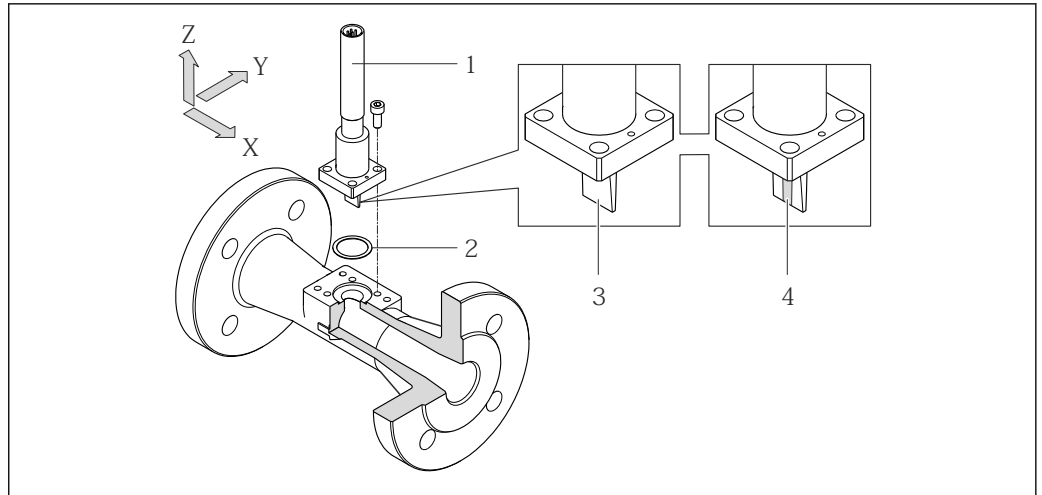
Temperature measurement

Under the order code for "Sensor version", the "Mass flow" option is available. With this option the measuring device can also measure the temperature of the medium.

The temperature is measured via Pt 1000 temperature sensors. These sensors are located in the paddle of the DSC sensor and are therefore in the direct vicinity of the fluid.

Order code for "Sensor version":

- Option 1 "Volume flow, basis"
- Option 2 "Volume flow, high-temperature/low temperature"
- Option 3 "Mass flow (integrated temperature measurement)"



A0019731

1 Sample graphic

1 Sensor

2 Seal

3 Order code for "Sensor version", option 1 "Volume flow, basis" and option 2 "Volume flow, high-temperature/low-temperature"

4 Order code for "Sensor version", option 3 "Mass flow (integrated temperature measurement)"

Lifelong calibration

Experience has shown that recalibrated Prowirl devices demonstrate a very high degree of stability compared to their original calibration: The recalibration values were all within the original measuring accuracy specifications of the devices.

Various tests and simulation procedures have shown that once the radii of the edges on the bluff body are less than 1 mm (0.04 in), the resulting effect does not have a negative impact on accuracy.

If the radii of the edges on the bluff body do not exceed 1 mm (0.04 in), the following general statements apply (in the case of non-abrasive and non-corrosive media, such as in most water and steam applications):

- The measuring device does not display an offset in the calibration and the accuracy is still guaranteed.
- All the edges on the bluff body have a radius that is typically smaller in size. As the measuring devices are naturally also calibrated with these radii, the measuring device remains within the specified accuracy rating provided that the additional radius that is produced as a result of wear and tear does not exceed 1 mm (0.04 in).

Consequently it can be said that the Prowirl product line offers lifelong calibration if the measuring device is used in non-abrasive and non-corrosive media.

Inlet run correction

Inlet run correction makes it possible to shorten the necessary inlet run before the measuring device to a minimum length of $10 \times DN$. If the inlet run available is too short, the measuring device can correct the measured error depending on the preceding disruption in the flow profile. This results in an additional measured error of $\pm 0.5 \% \text{ o.r.}$ ¹⁾

The **Inlet Run Correction** function can be used for the following pressure ratings and nominal diameters:

DN 15 to 150 (1 to 6")

– EN (DIN)

– ASME B16.5, Sch. 40/80

1) = of reading

Inlet run correction is possible for the following flow obstructions:

- Single elbow (90° elbow)
- Double elbow (2 × 90° elbows, opposite)
- Double elbow 3D (2 × 90° elbows, opposite, not on one plane)
- Reduction by one nominal diameter size



Inlet and outlet runs to be considered → 40



For detailed information about inlet run correction, see the Special Documentation for the device → 96

Wet steam detection

The Prowirl 200 is optionally available with a "**Wet Steam Detection**" application package.

The **Wet Steam Detection** application package is only available for:

- Prowirl F 200
- Nominal diameters: DN 25 to 100 (1 to 4")
- Order code for "*Sensor version*", option 3 "*Mass flow (integrated temperature measurement)*"

The **Wet Steam Detection** application package has an additional function that makes it possible to monitor the steam quality.

The application package offers:

- Diagnostics information that issues a warning when the steam quality drops below the limit value for steam quality in the range between 80 to 100 % .
- Correction of the volume flow²⁾, mass flow and energy flow.
- An additional indicator to monitor the operation of steam traps.



For detailed information about wet steam detection, see the Special Documentation for the device → 96

Wet steam measurement

The Prowirl 200 is optionally available with a "**Wet Steam Measurement**" application package.

The **Wet Steam Measurement** application package is only available for:

- Prowirl F 200
- Nominal diameters: DN 25 to 100 (1 to 4")
- Order code for "*Sensor version*", option 3 "*Mass flow (integrated temperature measurement)*"

The **Wet Steam Measurement** application package complements the **Wet Steam Detection** application package in steam applications by providing quantitative steam quality measurement.

The application package offers:

- Steam quality as a direct measured value (on the display/current output/HART/PROFIBUS PA)
- Diagnostics information that issues a warning when the steam quality drops below the limit value for steam quality in the range between 80 to 100 % .
- Calculation of the following additional process variables:
 - Total mass flow³⁾ (on the display/current output/HART/PROFIBUS PA)
 - Condensate mass flow (on the display/current output/HART/PROFIBUS PA)
 - Correction of the volume flow⁴⁾, mass flow and energy flow in the steam application.



The **Wet Steam Measurement** application package is available as of the following firmware versions:

- HART: 01.02.zz
- PROFIBUS DP: 01.01.zz



For detailed information about wet steam measurement, see the Special Documentation for the device → 96

Diagnostic functions

In addition, the device offers extensive diagnostic options, such as tracking fluid and ambient temperatures, extreme flows etc.

2) Correction of the volume flow = correction of the primary volume flow towards condensate in a steam application (not to be confused with corrected volume flow); corrected volume flow = volume flow in relation to reference conditions

3) Total mass flow = steam mass flow + condensate mass flow

4) Correction of the volume flow = correction of the primary volume flow towards condensate in a steam application (not to be confused with corrected volume flow); corrected volume flow = volume flow in relation to reference conditions

The following minimum and maximum values are tracked in the measuring device and saved for diagnostic purposes:

- Frequency
- Temperature
- Velocity
- Pressure

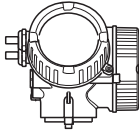
Measuring system

The device consists of a transmitter and a sensor.

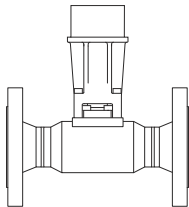
Two device versions are available:

- Compact version – transmitter and sensor form a mechanical unit.
- Remote version - transmitter and sensor are mounted in separate locations.

Transmitter

| | |
|--|--|
| <p>Prowirl 200</p>  <p style="text-align: right; font-size: small;">A0013471</p> | <p>Device versions and materials:</p> <ul style="list-style-type: none"> ■ Compact or remote version, aluminum coated: Aluminum, AlSi10Mg, coated ■ Compact or remote version, stainless: For maximum corrosion resistance: stainless steel CF-3M (316L, 1.4404) <p>Configuration:</p> <ul style="list-style-type: none"> ■ Via four-line local display with key operation or via four-line, illuminated local display with touch control and guided menus ("Make-it-run" wizards) for applications ■ Via operating tools (e.g. FieldCare) |
|--|--|

Sensor

| | |
|---|---|
| <p>Prowirl F</p>  <p style="text-align: right; font-size: small;">A0009921</p> | <p>Flanged version:</p> <ul style="list-style-type: none"> ■ Nominal diameter range: DN 15 to 300 (½ to 12") ■ Materials: <ul style="list-style-type: none"> - Measuring tubes: stainless steel, 1.4408 (CF3M) - Process connections DN 15 to 150 (½ to 6"): stainless steel, 1.4404 (F316, F316L) - Fully cast construction for DN 200 to 300 (8 to 12"): stainless cast steel, 1.4408 (CF3M) - Version for "harsh process, wetted parts": cast alloy CX2MW similar to Alloy C22/2.4602 |
|---|---|

Input**Measured variable****Direct measured variables**

Order code for "Sensor version":

- Option 1 "Volume flow, basis" and
- Option 2 "Volume flow, high-temperature/low temperature":
Volume flow

Order code for "Sensor version":

- Option 3 "Mass flow (integrated temperature measurement)":
- Volume flow
 - Temperature

Calculated measured variables

Order code for "Sensor version":

- Option 1 "Volume flow, basis" and
- Option 2 "Volume flow, high-temperature/low temperature":
 - In the case of constant process conditions: Mass flow ⁵⁾ or Corrected volume flow
 - The totalized values for Volume flow, Mass flow ⁵⁾, or Corrected volume flow

5) A fixed density must be entered for calculating the mass flow (Setup menu → Advanced setup submenu → External compensation submenu → Fixed density parameter).

Order code for "Sensor version":

- Option 3 "Mass flow (integrated temperature measurement)":
 - Corrected volume flow
 - Mass flow
 - Calculated saturated steam pressure
 - Energy flow
 - Heat flow difference
- Only in combination with order code for "Output; input", bus version HART and PROFIBUS PA:
 - Specific volume
 - Degrees of superheat

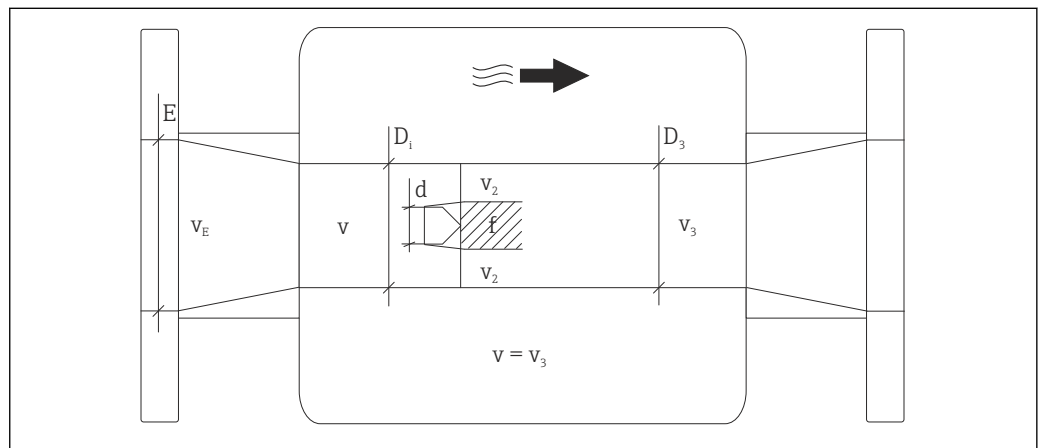
Order code for "Sensor version", option "Mass flow (integrated temperature measurement)" combined with order code "Application package", EU "Wet steam measurement":

- Steam quality
- Total mass flow
- Condensate mass flow

Measuring range



The measuring range depends on the fluid and nominal diameter.

Flow velocity



A0027507

- E DN diameter
- v_E Velocity in process pipe
- v Bluff body approaching flow velocity (Re is based on this)
- v₂ Maximum velocity (applies only to oxygen) v₂ = v_{max}
- v₃ Velocity when leaving the measuring device
- D_i Internal diameter D_i = D₃
- D₃ Internal diameter D₃ = D_i
- d Width of bluff body
- f Vortex shedding frequency

 The Applicator can be used for calculation purposes. →  94

| Maximum volume flow | Strouhal number | Reynolds number |
|---|---|--|
| $Q_{\max(G)} = v_{\max} \cdot \frac{\pi}{4} D_i^2$ <p style="text-align: right; font-size: small;">A0027504</p> | $Sr = \frac{f \cdot d}{v}$ <p style="text-align: right; font-size: small;">A0027505</p> | $Re = \frac{\rho \cdot v \cdot D_i}{\mu}$ <p style="text-align: right; font-size: small;">A0027506</p> |

Lower range value

Depends on the density of the medium and the Reynolds number (Re_{min} = 5 000, Re_{linear} = 20 000). The Reynolds number is dimensionless and indicates the ratio of the inertia force of a fluid to its viscous force. It is used to characterize the flow. The Reynolds number is calculated as follows:

$$Re = \frac{4 \cdot Q \text{ [m}^3\text{/s]} \cdot \rho \text{ [kg/m}^3\text{]}}{\pi \cdot di \text{ [m]} \cdot \mu \text{ [Pa}\cdot\text{s]}} \quad Re = \frac{4 \cdot Q \text{ [ft}^3\text{/s]} \cdot \rho \text{ [lb/ft}^3\text{]}}{\pi \cdot di \text{ [ft]} \cdot \mu \text{ [0.001 cP]}}$$

A0003794

Re = Reynolds number; Q = flow; di = internal diameter; μ = dynamic viscosity, ρ = density

$$DN 15...300 \rightarrow v_{\min.} = \frac{6}{\sqrt{\rho \text{ [kg/m}^3\text{]}}} \text{ [m/s]}$$

$$DN \frac{1}{2}...12" \rightarrow v_{\min.} = \frac{4.92}{\sqrt{\rho \text{ [lb/ft}^3\text{]}}} \text{ [ft/s]}$$

A0003239

Upper range value

Liquids:

The upper range value must be calculated as follows:

$$v_{\max} = 9 \text{ m/s (30 ft/s)} \text{ and } v_{\max} = 350/\sqrt{\rho} \text{ m/s (130}/\sqrt{\rho} \text{ ft/s)}$$

- Use the lower value.

Gas/steam:

| Nominal diameter | v_{\max} |
|--|---|
| Standard device: DN 15 (½") | 46 m/s (151 ft/s) and $350/\sqrt{\rho}$ m/s ($130/\sqrt{\rho}$ ft/s) (Use the lower value.) |
| Standard device: DN 25 (1"), DN 40 (1½") | 75 m/s (246 ft/s) and $350/\sqrt{\rho}$ m/s ($130/\sqrt{\rho}$ ft/s) (Use the lower value.) |
| Standard device: DN 50 to 300 (2 to 12") | 120 m/s (394 ft/s) and $350/\sqrt{\rho}$ m/s ($130/\sqrt{\rho}$ ft/s) (Use the lower value.) Calibrated range: up to 75 m/s (246 ft/s) |



For information on the Applicator → 94

Operable flow range Up to 45: 1 (ratio between lower and upper range value)




Input signal

Current input

| | |
|--------------------------|--|
| Current input | 4-20 mA (passive) |
| Resolution | 1 μ A |
| Voltage drop | Typically: 2.2 to 3 V for 3.6 to 22 mA |
| Maximum voltage | ≤ 35 V |
| Possible input variables | <ul style="list-style-type: none"> ■ Pressure ■ Temperature ■ Density |

External measured values


To increase the accuracy of certain measured variables or to calculate the corrected volume flow, the automation system can continuously write different measured values to the measuring device:

- Operating pressure to increase accuracy (Endress+Hauser recommends the use of a pressure measuring device for absolute pressure, e.g. Cerabar M or Cerabar S)
- Medium temperature to increase accuracy (e.g. iTEMP)
- Reference density for calculating the corrected volume flow
- 
 - Various pressure transmitters can be ordered from Endress+Hauser: see "Accessories" section →  95
 - Please comply with the special mounting instructions when using pressure transmitters →  43

It is recommended to read in external measured values to calculate the following measured variables:

- Energy flow
- Mass flow
- Corrected volume flow

Current input

The measured values are written from the automation system to the measuring device via the current input →  10.

HART protocol

The measured values are written from the automation system to the measuring device via the HART protocol. The pressure transmitter must support the following protocol-specific functions:

- HART protocol
- Burst mode

Fieldbuses

The measured values can be written from the automation system to the measuring via:

- FOUNDATION Fieldbus
- PROFIBUS PA

Output



Output signal

Current output

| | |
|--------------------------------------|--|
| Current output 1 | 4-20 mA HART (passive) |
| Current output 2 | 4-20 mA (passive) |
| Resolution | < 1 µA |
| Damping | Adjustable: 0.0 to 999.9 s |
| Assignable measured variables | <ul style="list-style-type: none"> ▪ Volume flow ▪ Corrected volume flow ▪ Mass flow ▪ Flow velocity ▪ Temperature ▪ Calculated saturated steam pressure ▪ Total mass flow ▪ Energy flow ▪ Heat flow difference |

Pulse/frequency/switch output

| | |
|-----------------|---|
| Function | Can be set to pulse, frequency or switch output |
| Version | Passive, open collector |

| | |
|--------------------------------------|--|
| Maximum input values | <ul style="list-style-type: none"> ▪ DC 35 V ▪ 50 mA <p> For information on the Ex connection values →  15</p> |
| Voltage drop | <ul style="list-style-type: none"> ▪ For ≤ 2 mA: 2 V ▪ For 10 mA: 8 V |
| Residual current | ≤ 0.05 mA |
| Pulse output | |
| Pulse width | Adjustable: 5 to 2000 ms |
| Maximum pulse rate | 100 Impulse/s |
| Pulse value | Adjustable |
| Assignable measured variables | <ul style="list-style-type: none"> ▪ Total volume flow ▪ Total corrected volume flow ▪ Total mass flow ▪ Total energy flow ▪ Total heat flow difference |
| Frequency output | |
| Output frequency | Adjustable: 0 to 1000 Hz |
| Damping | Adjustable: 0 to 999 s |
| Pulse/pause ratio | 1:1 |
| Assignable measured variables | <ul style="list-style-type: none"> ▪ Volume flow ▪ Corrected volume flow ▪ Mass flow ▪ Flow velocity ▪ Temperature ▪ Calculated saturated steam pressure ▪ Steam quality ▪ Total mass flow ▪ Energy flow ▪ Heat flow difference |
| Switch output | |
| Switching behavior | Binary, conductive or non-conductive |
| Switching delay | Adjustable: 0 to 100 s |
| Number of switching cycles | Unlimited |
| Assignable functions | <ul style="list-style-type: none"> ▪ Off ▪ On ▪ Diagnostic behavior ▪ Limit value <ul style="list-style-type: none"> - Volume flow - Corrected volume flow - Mass flow - Flow velocity - Temperature - Calculated saturated steam pressure - Steam quality - Total mass flow - Energy flow - Heat flow difference - Reynolds number - Totalizer 1-3 ▪ Status ▪ Status of low flow cut off |

FOUNDATION Fieldbus

| | |
|------------------------|------------------------------|
| Signal encoding | Manchester Bus Powered (MBP) |
| Data transfer | 31.25 KBit/s, Voltage mode |

PROFIBUS PA

| | |
|------------------------|------------------------------|
| Signal encoding | Manchester Bus Powered (MBP) |
| Data transfer | 31.25 KBit/s, Voltage mode |

Signal on alarm

Depending on the interface, failure information is displayed as follows:

Current output

HART

| | |
|---------------------------|--|
| Device diagnostics | Device condition can be read out via HART Command 48 |
|---------------------------|--|

Pulse/frequency/switch output

| | |
|-------------------------|---|
| Pulse output | |
| Failure mode | No pulses |
| Frequency output | |
| Failure mode | Choose from: <ul style="list-style-type: none"> ▪ Actual value ▪ 0 Hz ▪ Defined value: 0 to 1 250 Hz |
| Switch output | |
| Failure mode | Choose from: <ul style="list-style-type: none"> ▪ Current status ▪ Open ▪ Closed |

FOUNDATION Fieldbus


| | |
|---|---------------------------------------|
| Status and alarm messages | Diagnostics in accordance with FF-891 |
| Error current FDE (Fault Disconnection Electronic) | 0 mA |

PROFIBUS PA

| | |
|---|---|
| Status and alarm messages | Diagnostics in accordance with PROFIBUS PA Profile 3.02 |
| Error current FDE (Fault Disconnection Electronic) | 0 mA |

Local display



| | |
|---------------------------|---|
| Plain text display | With information on cause and remedial measures |
| Backlight | Additionally for device version with SD03 local display: red lighting indicates a device error. |

 Status signal as per NAMUR recommendation NE 107

Operating tool

- Via digital communication:
 - HART protocol
 - FOUNDATION Fieldbus
 - PROFIBUS PA
- Via service interface

| | |
|---------------------------|---|
| Plain text display | With information on cause and remedial measures |
|---------------------------|---|

 Additional information on remote operation →  84

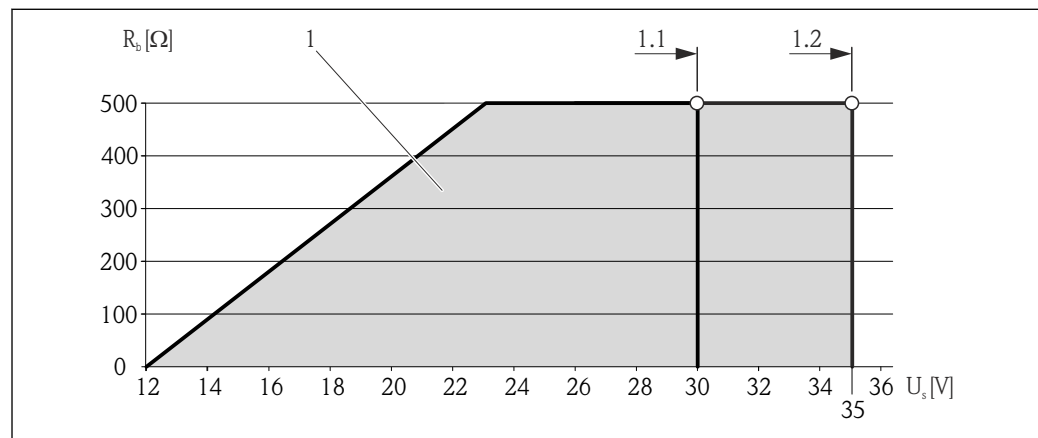
Load


Load for current output: 0 to 500 Ω , depending on the external supply voltage of the power supply unit

Calculation of the maximum load

Depending on the supply voltage of the power supply unit (U_S), the maximum load (R_B) including line resistance must be observed to ensure adequate terminal voltage at the device. In doing so, observe the minimum terminal voltage

- $R_B \leq (U_S - U_{\text{term. min}}) : 0.022 \text{ A}$
- $R_B \leq 500 \Omega$



 2 Load for a compact version without local operation

1 Operating range

1.1 For order code for "Output", option A "4-20 mA HART"/option B "4-20 mA HART, pulse/frequency/switch output" with Ex i and option C "4-20 mA HART + 4-20 mA analog"

1.2 For order code for "Output", option A "4-20 mA HART"/option B "4-20 mA HART, pulse/frequency/switch output" with non-Ex and Ex d


Sample calculation

Supply voltage of the supply unit:

- $U_S = 19 \text{ V}$

- $U_{\text{term. min}} = 12 \text{ V (measuring device)} + 1 \text{ V (local operation without lighting)} = 13 \text{ V}$

Maximum load: $R_B \leq (19 \text{ V} - 13 \text{ V}) : 0.022 \text{ A} = 273 \Omega$

 The minimum terminal voltage ($U_{\text{term. min}}$) increases if local operation is used (**Verweisziel existiert nicht, aber @y.link.required=true**).

Ex connection data

Safety-related values

Type of protection Ex d

| Order code for "Output" | Output type | Safety-related values |
|-------------------------|-------------------------------|---|
| Option A | 4-20mA HART | $U_{\text{nom}} = \text{DC } 35 \text{ V}$ $U_{\text{max}} = 250 \text{ V}$ |
| Option B | 4-20mA HART | $U_{\text{nom}} = \text{DC } 35 \text{ V}$ $U_{\text{max}} = 250 \text{ V}$ |
| | Pulse/frequency/switch output | $U_{\text{nom}} = \text{DC } 35 \text{ V}$ $U_{\text{max}} = 250 \text{ V}$ $P_{\text{max}} = 1 \text{ W}^{1)}$ |
| Option C | 4-20mA HART | $U_{\text{nom}} = \text{DC } 30 \text{ V}$ |
| | 4-20mA analog | $U_{\text{max}} = 250 \text{ V}$ |
| Option D | 4-20mA HART | $U_{\text{nom}} = \text{DC } 35 \text{ V}$ $U_{\text{max}} = 250 \text{ V}$ |
| | Pulse/frequency/switch output | $U_{\text{nom}} = \text{DC } 35 \text{ V}$ $U_{\text{max}} = 250 \text{ V}$ $P_{\text{max}} = 1 \text{ W}^{1)}$ |
| | 4 to 20 mA current input | $U_{\text{nom}} = \text{DC } 35 \text{ V}$ $U_{\text{max}} = 250 \text{ V}$ |
| Option E | FOUNDATION Fieldbus | $U_{\text{nom}} = \text{DC } 32 \text{ V}$ $U_{\text{max}} = 250 \text{ V}$ $P_{\text{max}} = 0.88 \text{ W}$ |
| | Pulse/frequency/switch output | $U_{\text{nom}} = \text{DC } 35 \text{ V}$ $U_{\text{max}} = 250 \text{ V}$ $P_{\text{max}} = 1 \text{ W}^{1)}$ |
| Option G | PROFIBUS PA | $U_{\text{nom}} = \text{DC } 32 \text{ V}$ $U_{\text{max}} = 250 \text{ V}$ $P_{\text{max}} = 0.88 \text{ W}$ |
| | Pulse/frequency/switch output | $U_{\text{nom}} = \text{DC } 35 \text{ V}$ $U_{\text{max}} = 250 \text{ V}$ $P_{\text{max}} = 1 \text{ W}^{1)}$ |

1) Internal circuit limited by $R_i = 760.5 \Omega$

Ex nA type of protection

| Order code for "Output" | Output type | Safety-related values |
|-------------------------|-------------------------------|---|
| Option A | 4-20mA HART | $U_{\text{nom}} = \text{DC } 35 \text{ V}$ $U_{\text{max}} = 250 \text{ V}$ |
| Option B | 4-20mA HART | $U_{\text{nom}} = \text{DC } 35 \text{ V}$ $U_{\text{max}} = 250 \text{ V}$ |
| | Pulse/frequency/switch output | $U_{\text{nom}} = \text{DC } 35 \text{ V}$ $U_{\text{max}} = 250 \text{ V}$ $P_{\text{max}} = 1 \text{ W}^{1)}$ |
| Option C | 4-20mA HART | $U_{\text{nom}} = \text{DC } 30 \text{ V}$ |
| | 4-20mA analog | $U_{\text{max}} = 250 \text{ V}$ |
| Option D | 4-20mA HART | $U_{\text{nom}} = \text{DC } 35 \text{ V}$ $U_{\text{max}} = 250 \text{ V}$ |

| Order code for "Output" | Output type | Safety-related values |
|-------------------------|-------------------------------|--|
| | Pulse/frequency/switch output | $U_{nom} = DC 35 V$ $U_{max} = 250 V$ $P_{max} = 1 W^{1)}$ |
| | 4 to 20 mA current input | $U_{nom} = DC 35 V$ $U_{max} = 250 V$ |
| Option E | FOUNDATION Fieldbus | $U_{nom} = DC 32 V$ $U_{max} = 250 V$ $P_{max} = 0.88 W$ |
| | Pulse/frequency/switch output | $U_{nom} = DC 35 V$ $U_{max} = 250 V$ $P_{max} = 1 W^{1)}$ |
| Option G | PROFIBUS PA | $U_{nom} = DC 32 V$ $U_{max} = 250 V$ $P_{max} = 0.88 W$ |
| | Pulse/frequency/switch output | $U_{nom} = DC 35 V$ $U_{max} = 250 V$ $P_{max} = 1 W^{1)}$ |

1) Internal circuit limited by $R_i = 760.5 \Omega$

Type of protection XP

| Order code for "Output" | Output type | Safety-related values |
|-------------------------|-------------------------------|--|
| Option A | 4-20mA HART | $U_{nom} = DC 35 V$ $U_{max} = 250 V$ |
| Option B | 4-20mA HART | $U_{nom} = DC 35 V$ $U_{max} = 250 V$ |
| | Pulse/frequency/switch output | $U_{nom} = DC 35 V$ $U_{max} = 250 V$ $P_{max} = 1 W^{1)}$ |
| Option C | 4-20mA HART | $U_{nom} = DC 30 V$ $U_{max} = 250 V$ |
| | 4-20mA analog | |
| Option D | 4-20mA HART | $U_{nom} = DC 35 V$ $U_{max} = 250 V$ |
| | Pulse/frequency/switch output | $U_{nom} = DC 35 V$ $U_{max} = 250 V$ $P_{max} = 1 W^{1)}$ |
| | 4 to 20 mA current input | $U_{nom} = DC 35 V$ $U_{max} = 250 V$ |
| Option E | FOUNDATION Fieldbus | $U_{nom} = DC 32 V$ $U_{max} = 250 V$ $P_{max} = 0.88 W$ |
| | Pulse/frequency/switch output | $U_{nom} = DC 35 V$ $U_{max} = 250 V$ $P_{max} = 1 W^{1)}$ |
| Option G | PROFIBUS PA | $U_{nom} = DC 32 V$ $U_{max} = 250 V$ $P_{max} = 0.88 W$ |
| | Pulse/frequency/switch output | $U_{nom} = DC 35 V$ $U_{max} = 250 V$ $P_{max} = 1 W^{1)}$ |

1) Internal circuit limited by $R_i = 760.5 \Omega$

Intrinsically safe values

Type of protection Ex ia

| Order code for "Output" | Output type | Intrinsically safe values | |
|-------------------------|-------------------------------|--|---|
| Option A | 4-20mA HART | $U_i = DC\ 30\ V$ $I_i = 300\ mA$ $P_i = 1\ W$ $L_i = 0\ \mu H$ $C_i = 5\ nF$ | |
| Option B | 4-20mA HART | $U_i = DC\ 30\ V$ $I_i = 300\ mA$ $P_i = 1\ W$ $L_i = 0\ \mu H$ $C_i = 5\ nF$ | |
| | Pulse/frequency/switch output | $U_i = DC\ 30\ V$ $I_i = 300\ mA$ $P_i = 1\ W$ $L_i = 0\ \mu H$ $C_i = 6\ nF$ | |
| Option C | 4-20mA HART | $U_i = DC\ 30\ V$ $I_i = 300\ mA$ $P_i = 1\ W$ $L_i = 0\ \mu H$ $C_i = 30\ nF$ | |
| | 4-20mA analog | | |
| Option D | 4-20mA HART | $U_i = DC\ 30\ V$ $I_i = 300\ mA$ $P_i = 1\ W$ $L_i = 0\ \mu H$ $C_i = 5\ nF$ | |
| | Pulse/frequency/switch output | $U_i = DC\ 30\ V$ $I_i = 300\ mA$ $P_i = 1\ W$ $L_i = 0\ \mu H$ $C_i = 6\ nF$ | |
| | 4 to 20 mA current input | $U_i = DC\ 30\ V$ $I_i = 300\ mA$ $P_i = 1\ W$ $L_i = 0\ \mu H$ $C_i = 5\ nF$ | |
| Option E | FOUNDATION Fieldbus | STANDARD $U_i = 30\ V$ $I_i = 300\ mA$ $P_i = 1.2\ W$ $L_i = 10\ \mu H$ $C_i = 5\ nF$ | FISCO $U_i = 17.5\ V$ $I_i = 550\ mA$ $P_i = 5.5\ W$ $L_i = 10\ \mu H$ $C_i = 5\ nF$ |
| | Pulse/frequency/switch output | $U_i = 30\ V$ $I_i = 300\ mA$ $P_i = 1\ W$ $L_i = 0\ \mu H$ $C_i = 6\ nF$ | |
| Option G | PROFIBUS PA | STANDARD $U_i = 30\ V$ $I_i = 300\ mA$ $P_i = 1.2\ W$ $L_i = 10\ \mu H$ $C_i = 5\ nF$ | FISCO $U_i = 17.5\ V$ $I_i = 550\ mA$ $P_i = 5.5\ W$ $L_i = 10\ \mu H$ $C_i = 5\ nF$ |
| | Pulse/frequency/switch output | $U_i = 30\ V$ $I_i = 300\ mA$ $P_i = 1\ W$ $L_i = 0\ \mu H$ $C_i = 6\ nF$ | |

Type of protection Ex ic

| Order code for "Output" | Output type | Intrinsically safe values | |
|-------------------------|-------------------------------|--|---|
| Option A | 4-20mA HART | $U_i = DC 35 V$ $I_i = n.a.$ $P_i = 1 W$ $L_i = 0 \mu H$ $C_i = 5 nF$ | |
| Option B | 4-20mA HART | $U_i = DC 35 V$ $I_i = n.a.$ $P_i = 1 W$ $L_i = 0 \mu H$ $C_i = 5 nF$ | |
| | Pulse/frequency/switch output | $U_i = DC 35 V$ $I_i = n.a.$ $P_i = 1 W$ $L_i = 0 \mu H$ $C_i = 6 nF$ | |
| Option C | 4-20mA HART | $U_i = DC 30 V$ $I_i = n.a.$ $P_i = 1 W$ $L_i = 0 \mu H$ $C_i = 30 nF$ | |
| | 4-20mA analog | | |
| Option D | 4-20mA HART | $U_i = DC 35 V$ $I_i = n.a.$ $P_i = 1 W$ $L_i = 0 \mu H$ $C_i = 5 nF$ | |
| | Pulse/frequency/switch output | $U_i = DC 35 V$ $I_i = n.a.$ $P_i = 1 W$ $L_i = 0 \mu H$ $C_i = 6 nF$ | |
| | 4 to 20 mA current input | $U_i = DC 35 V$ $I_i = n.a.$ $P_i = 1 W$ $L_i = 0 \mu H$ $C_i = 5 nF$ | |
| Option E | FOUNDATION Fieldbus | STANDARD $U_i = 32 V$ $I_i = 300 mA$ $P_i = n.a.$ $L_i = 10 \mu H$ $C_i = 5 nF$ | FISCO $U_i = 17.5 V$ $I_i = n.a.$ $P_i = n.a.$ $L_i = 10 \mu H$ $C_i = 5 nF$ |
| | Pulse/frequency/switch output | $U_i = 35 V$ $I_i = 300 mA$ $P_i = 1 W$ $L_i = 0 \mu H$ $C_i = 6 nF$ | |
| Option G | PROFIBUS PA | STANDARD $U_i = 32 V$ $I_i = 300 mA$ $P_i = n.a.$ $L_i = 10 \mu H$ $C_i = 5 nF$ | FISCO $U_i = 17.5 V$ $I_i = n.a.$ $P_i = n.a.$ $L_i = 10 \mu H$ $C_i = 5 nF$ |
| | Pulse/frequency/switch output | $U_i = 35 V$ $I_i = 300 mA$ $P_i = 1 W$ $L_i = 0 \mu H$ $C_i = 6 nF$ | |

Type of protection IS

| Order code for "Output" | Output type | Intrinsically safe values | |
|-------------------------|-------------------------------|--|---|
| Option A | 4-20mA HART | $U_i = DC\ 30\ V$ $I_i = 300\ mA$ $P_i = 1\ W$ $L_i = 0\ \mu H$ $C_i = 5\ nF$ | |
| Option B | 4-20mA HART | $U_i = DC\ 30\ V$ $I_i = 300\ mA$ $P_i = 1\ W$ $L_i = 0\ \mu H$ $C_i = 5\ nF$ | |
| | Pulse/frequency/switch output | $U_i = DC\ 30\ V$ $I_i = 300\ mA$ $P_i = 1\ W$ $L_i = 0\ \mu H$ $C_i = 6\ nF$ | |
| Option C | 4-20mA HART | $U_i = DC\ 30\ V$ $I_i = 300\ mA$ $P_i = 1\ W$ $L_i = 0\ \mu H$ $C_i = 30\ nF$ | |
| | 4-20mA analog | | |
| Option D | 4-20mA HART | $U_i = DC\ 30\ V$ $I_i = 300\ mA$ $P_i = 1\ W$ $L_i = 0\ \mu H$ $C_i = 5\ nF$ | |
| | Pulse/frequency/switch output | $U_i = DC\ 30\ V$ $I_i = 300\ mA$ $P_i = 1\ W$ $L_i = 0\ \mu H$ $C_i = 6\ nF$ | |
| | 4 to 20 mA current input | $U_i = DC\ 30\ V$ $I_i = 300\ mA$ $P_i = 1\ W$ $L_i = 0\ \mu H$ $C_i = 5\ nF$ | |
| Option E | FOUNDATION Fieldbus | STANDARD $U_i = 30\ V$ $I_i = 300\ mA$ $P_i = 1.2\ W$ $L_i = 10\ \mu H$ $C_i = 5\ nF$ | FISCO $U_i = 17.5\ V$ $I_i = 550\ mA$ $P_i = 5.5\ W$ $L_i = 10\ \mu H$ $C_i = 5\ nF$ |
| | Pulse/frequency/switch output | $U_i = 30\ V$ $I_i = 300\ mA$ $P_i = 1\ W$ $L_i = 0\ \mu H$ $C_i = 6\ nF$ | |
| Option G | PROFIBUS PA | STANDARD $U_i = 30\ V$ $I_i = 300\ mA$ $P_i = 1.2\ W$ $L_i = 10\ \mu H$ $C_i = 5\ nF$ | FISCO $U_i = 17.5\ V$ $I_i = 550\ mA$ $P_i = 5.5\ W$ $L_i = 10\ \mu H$ $C_i = 5\ nF$ |
| | Pulse/frequency/switch output | $U_i = 30\ V$ $I_i = 300\ mA$ $P_i = 1\ W$ $L_i = 0\ \mu H$ $C_i = 6\ nF$ | |

Low flow cut off

The switch points for low flow cut off are user-selectable.

Galvanic isolation All outputs are galvanically isolated from one another.

Protocol-specific data HART

| | |
|---|---|
| Manufacturer ID | 0x11 |
| Device type ID | 0x38 |
| HART protocol revision | 7 |
| Device description files (DTM, DD) | Information and files under: www.endress.com |
| HART load | <ul style="list-style-type: none">▪ Min. 250 Ω▪ Max. 500 Ω |

| | |
|---------------------------------|---|
| <p>Dynamic variables</p> | <p>Read out the dynamic variables: HART command 3 The measured variables can be freely assigned to the dynamic variables.</p> <p>Measured variables for PV (primary dynamic variable)</p> <ul style="list-style-type: none"> ▪ Volume flow ▪ Corrected volume flow ▪ Mass flow ▪ Flow velocity ▪ Temperature ▪ Calculated saturated steam pressure ▪ Steam quality ▪ Total mass flow ▪ Energy flow ▪ Heat flow difference <p>Measured variables for SV, TV, QV (secondary, tertiary and quaternary dynamic variable)</p> <ul style="list-style-type: none"> ▪ Volume flow ▪ Corrected volume flow ▪ Mass flow ▪ Flow velocity ▪ Temperature ▪ Calculated saturated steam pressure ▪ Steam quality ▪ Total mass flow ▪ Energy flow ▪ Heat flow difference ▪ Condensate mass flow ▪ Reynolds number ▪ Totalizer 1 ▪ Totalizer 2 ▪ Totalizer 3 ▪ HART input ▪ Density ▪ Pressure ▪ Specific volume ▪ Degree of overheating |
| <p>Device variables</p> | <p>Read out the device variables: HART command 9 The device variables are permanently assigned.</p> <p>A maximum of 8 device variables can be transmitted:</p> <ul style="list-style-type: none"> ▪ 0 = volume flow ▪ 1 = corrected volume flow ▪ 2 = Mass flow ▪ 3 = flow velocity ▪ 4 = temperature ▪ 5 = calculated saturated steam pressure ▪ 6 = steam quality ▪ 7 = total mass flow ▪ 8 = energy flow ▪ 9 = heat flow difference ▪ 10 = condensate mass flow ▪ 11 = Reynolds number ▪ 12 = totalizer 1 ▪ 13 = totalizer 2 ▪ 14 = totalizer 3 ▪ 15 = HART input ▪ 16 = density ▪ 17 = pressure ▪ 18 = specific volume ▪ 19 = degree of overheating |

FOUNDATION Fieldbus

| | |
|-------------------------------|-----------------|
| <p>Manufacturer ID</p> | <p>0x452B48</p> |
| <p>Ident number</p> | <p>0x1038</p> |
| <p>Device revision</p> | <p>1</p> |


| | |
|---|--|
| DD revision | Information and files under: |
| CFF revision | <ul style="list-style-type: none"> ▪ www.endress.com ▪ www.fieldbus.org |
| Device Tester Version (ITK version) | 6.1.1 |
| ITK Test Campaign Number | IT094200 |
| Link Master capability (LAS) | Yes |
| Choice of "Link Master" and "Basic Device" | Yes Factory setting: Basic Device |
| Node address | Factory setting: 247 (0xF7) |
| Supported functions | The following methods are supported: <ul style="list-style-type: none"> ▪ Restart ▪ ENP Restart ▪ Diagnostic |
| Virtual Communication Relationships (VCRs) | |
| Number of VCRs | 44 |
| Number of link objects in VFD | 50 |
| Permanent entries | 1 |
| Client VCRs | 0 |
| Server VCRs | 10 |
| Source VCRs | 43 |
| Sink VCRs | 0 |
| Subscriber VCRs | 43 |
| Publisher VCRs | 43 |
| Device Link Capabilities | |
| Slot time | 4 |
| Min. delay between PDU | 8 |
| Max. response delay | Min. 5 |

Transducer Blocks

| Block | Contents | Output values |
|---|---|----------------------|
| Setup Transducer Block (TRDSUP) | All parameters for standard commissioning. | No output values |
| Advanced Setup Transducer Block (TRDASUP) | All parameters for more accurate measurement configuration. | No output values |
| Display Transducer Block (TRDDISP) | Parameters for configuring the local display. | No output values |
| HistoROM Transducer Block (TRDHROM) | Parameters for using the HistoROM function. | No output values |

| Block | Contents | Output values |
|---|--|---|
| Diagnostic Transducer Block (TRDDIAG) | Diagnostics information. | Process variables (AI Channel) <ul style="list-style-type: none"> ▪ Temperature (7) ▪ Volume flow (9) ▪ Mass flow (11) ▪ Corrected volume flow (13) ▪ Flow velocity (37) ▪ Energy flow (38) ▪ Calculated saturated steam pressure (45) ▪ Total mass flow (46) ▪ Condensate mass flow (47) ▪ Steam quality (48) ▪ Heat flow difference (49) ▪ Reynolds number (50) |
| Expert Configuration Transducer Block (TRDEXP) | Parameters that require the user to have in-depth knowledge of the operation of the device in order to configure the parameters appropriately. | No output values |
| Expert Information Transducer Block (TRDEXPIN) | Parameters that provide information about the state of the device. | No output values |
| Service Sensor Transducer Block (TRDSRVS) | Parameters that can only be accessed by Endress+Hauser Service. | No output values |
| Service Information Transducer Block (TRDSRVIF) | Parameters that provide Endress+Hauser Service with information about the state of the device. | No output values |
| Total Inventory Counter Transducer Block (TRDTIC) | Parameters for configuring all the totalizers and the inventory counter. | Process variables (AI Channel) <ul style="list-style-type: none"> ▪ Totalizer 1 (16) ▪ Totalizer 2 (17) ▪ Totalizer 3 (18) |
| Heartbeat Technology Transducer Block (TRDHBT) | Parameters for the configuration and comprehensive information about the results of the verification. | No output values |
| Heartbeat Results 1 Transducer Block (TRDHBTR1) | Information about the results of the verification. | No output values |
| Heartbeat Results 2 Transducer Block (TRDHBTR2) | Information about the results of the verification. | No output values |
| Heartbeat Results 3 Transducer Block (TRDHBTR3) | Information about the results of the verification. | No output values |
| Heartbeat Results 4 Transducer Block (TRDHBTR4) | Information about the results of the verification. | No output values |

Function blocks

| Block | Number of blocks | Contents | Process variables (Channel) |
|------------------------------------|------------------|--|---|
| Resource Block (RB) | 1 | This Block (extended functionality) contains all the data that uniquely identify the device; it is the equivalent of an electronic nameplate for the device. | – |
| Analog Input Block (AI) | 4 | This Block (extended functionality) receives the measurement data provided by the Sensor Block (can be selected via a channel number) and makes the data available for other blocks at the output. Execution time: 13 ms | <ul style="list-style-type: none"> ▪ Temperature (7) ▪ Mass flow (11) ▪ Volume flow (9) ▪ Corrected volume flow (13) ▪ Flow velocity (37) ▪ Energy flow (38) ▪ Calculated saturated steam pressure (45) ▪ Total mass flow (46) ▪ Condensate mass flow (47) ▪ Steam quality (48) ▪ Heat flow difference (49) ▪ Reynolds number (50) |
| Discrete Input Block (DI) | 2 | This Block (standard functionality) receives a discrete value (e.g. indicator that measuring range has been exceeded) and makes the value available for other blocks at the output. Execution time: 12 ms | <ul style="list-style-type: none"> ▪ Switch output state (101) ▪ Low flow cut off (103) ▪ Status verification (105) |
| PID Block (PID) | 1 | This Block (standard functionality) acts as a proportional-integral-differential controller and can be used universally for control in the field. It enables cascading and feedforward control. Execution time: 13 ms | – |
| Multiple Analog Output Block (MAO) | 1 | This Block (standard functionality) receives several analog values and makes them available for other blocks at the output. Execution time: 11 ms | <p>Channel_0 (121)</p> <ul style="list-style-type: none"> ▪ Value 1: External compensation variable, pressure ▪ Value 2: External compensation variable, relative pressure ▪ Value 3: External compensation variable, density ▪ Value 4: External compensation variable, temperature ▪ Value 5: External compensation variable, second temperature heat difference ▪ Value 6 to 8: Not assigned <p> The compensation variables must be transmitted to the device in the SI basic unit.</p> |

| Block | Number of blocks | Contents | Process variables (Channel) |
|-------------------------------------|------------------|--|---|
| Multiple Digital Output Block (MDO) | 1 | This Block (standard functionality) receives several discrete values and makes them available for other blocks at the output. Execution time: 14 ms | Channel_DO (122) <ul style="list-style-type: none"> ■ Value 1: Reset totalizer 1 ■ Value 2: Reset totalizer 2 ■ Value 3: Reset totalizer 3 ■ Value 4: Flow override ■ Value 5: Start heartbeat verification ■ Value 6: Status switch output ■ Value 7: Not assigned ■ Value 8: Not assigned |
| Integrator Block (IT) | 1 | This Block (standard functionality) integrates a measured variable over time or totalizes the pulses from a Pulse Input Block. The Block can be used as a totalizer that totalizes until a reset, or as a batch totalizer whereby the integrated value is compared against a target value generated before or during the control routine and generates a binary signal when the target value is reached. Execution time: 16 ms | - |

PROFIBUS PA

| | |
|--|---|
| Manufacturer ID | 0x11 |
| Ident number | 0x1564 |
| Profile version | 3.02 |
| Device description files (GSD, DTM, DD) | Information and files under: <ul style="list-style-type: none"> ■ www.endress.com ■ www.profibus.org |
| Output values (from measuring device to automation system) | <p>Analog input 1 to 4</p> <ul style="list-style-type: none"> ■ Volume flow ■ Mass flow ■ Corrected volume flow ■ Flow velocity ■ Temperature ■ Calculated saturated steam pressure ■ Steam quality ■ Total mass flow ■ Energy flow ■ Heat flow difference ■ Reynolds number ■ Density ■ Pressure ■ Specific volume ■ Degree of overheating <p>Digital input 1 to 2</p> <ul style="list-style-type: none"> ■ Empty pipe detection ■ Low flow cut off ■ Status switch output ■ Status verification <p>Totalizer 1 to 3</p> <ul style="list-style-type: none"> ■ Mass flow ■ Volume flow ■ Corrected volume flow ■ Total mass flow ■ Condensate mass flow ■ Energy flow ■ Heat flow difference |

| | |
|---|--|
| <p>Input values (from automation system to measuring device)</p> | <p>Analog output</p> <ul style="list-style-type: none"> External density External temperature <p>Digital output 1 to 2 (fixed assignment)</p> <ul style="list-style-type: none"> Digital output 1: switch positive zero return on/off Digital output 2: start verification <p>Totalizer 1 to 3</p> <ul style="list-style-type: none"> Totalize Reset and hold Preset and hold Operating mode configuration: <ul style="list-style-type: none"> Net flow total Forward flow total Reverse flow total |
| <p>Supported functions</p> | <ul style="list-style-type: none"> Identification & Maintenance Simplest device identification on the part of the control system and nameplate PROFIBUS upload/download Reading and writing parameters is up to ten times faster with PROFIBUS upload/download Condensed status Simplest and self-explanatory diagnostic information by categorizing diagnostic messages that occur |
| <p>Configuration of the device address</p> | <ul style="list-style-type: none"> DIP switches on the I/O electronics module Local display via operating tools (e.g. FieldCare) |

Power supply

Terminal assignment

Transmitter

Connection versions

| | |
|--|---|
| <p style="text-align: right; font-size: small;">A0020738</p> | <p style="text-align: right; font-size: small;">A0020739</p> |
| <p>Maximum number of terminals Terminals 1 to 6: Without integrated overvoltage protection</p> | <p>Maximum number of terminals for order code for "Accessory mounted", option NA "Overvoltage protection"</p> <ul style="list-style-type: none"> Terminals 1 to 4: With integrated overvoltage protection Terminals 5 to 6: Without integrated overvoltage protection |
| <p>1 Output 1 (passive): supply voltage and signal transmission 2 Output 2 (passive): supply voltage and signal transmission 3 Input (passive): supply voltage and signal transmission 4 Ground terminal for cable shield</p> | |

| Order code for "Output" | Terminal numbers | | | | | |
|---------------------------|------------------------|-------|---|-------|---------------------------------|-------|
| | Output 1 | | Output 2 | | Input | |
| | 1 (+) | 2 (-) | 3 (+) | 4 (-) | 5 (+) | 6 (-) |
| Option A | 4-20 mA HART (passive) | | - | | - | |
| Option B ¹⁾ | 4-20 mA HART (passive) | | Pulse/frequency/switch output (passive) | | - | |
| Option C ¹⁾ | 4-20 mA HART (passive) | | 4-20 mA analog (passive) | | - | |
| Option D ^{1) 2)} | 4-20 mA HART (passive) | | Pulse/frequency/switch output (passive) | | 4-20 mA current input (passive) | |
| Option E ^{1) 3)} | FOUNDATION Fieldbus | | Pulse/frequency/switch output (passive) | | - | |
| Option G ^{1) 4)} | PROFIBUS PA | | Pulse/frequency/switch output (passive) | | - | |

- 1) Output 1 must always be used; output 2 is optional.
- 2) The integrated overvoltage protection is not used with option D: Terminals 5 and 6 (current input) are not protected against overvoltage.
- 3) FOUNDATION Fieldbus with integrated reverse polarity protection.
- 4) PROFIBUS PA with integrated reverse polarity protection.

Remote version

In the case of the remote version, the sensor and transmitter are mounted separately from one another and connected by a connecting cable. The sensor is connected via the connection housing while the transmitter is connected via the connection compartment of the wall holder unit.

 The way the transmitter wall holder is connected depends on the measuring device approval and the version of the connecting cable used.

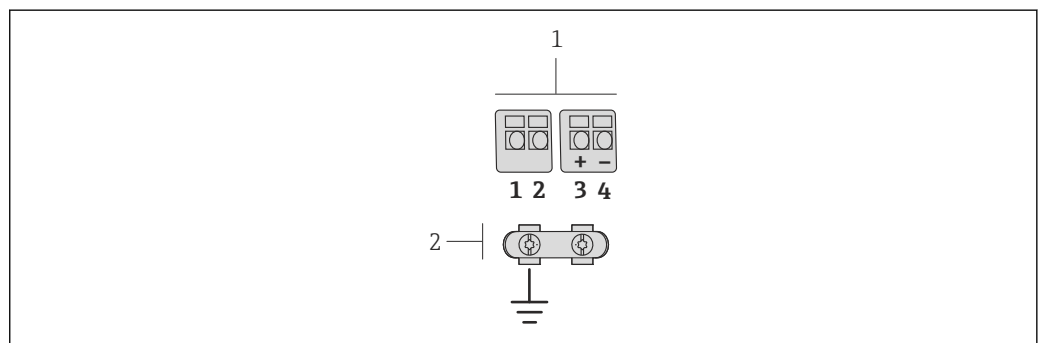
Connection is only possible via terminals:


- For approvals Ex n, Ex tb and cCSAus Div. 1
- If a reinforced connecting cable is used

The connection is via an M12 connector:

- For all other approvals
- If the standard connecting cable is used

Connection to the connection housing of the sensor is always via the terminals (tightening torque for terminals: 1.2 to 1.7 Nm).



 3 Terminals for connection compartment in the transmitter wall holder and the sensor connection housing

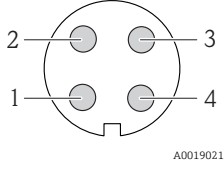
- 1 Terminals for connecting cable
- 2 Grounding via the cable strain relief

| Terminal number | Assignment | Cable color Connecting cable |
|-----------------|----------------|---------------------------------|
| 1 | Supply voltage | Brown |
| 2 | Grounding | White |

| Terminal number | Assignment | Cable color Connecting cable |
|-----------------|------------|---------------------------------|
| 3 | RS485 (+) | Yellow |
| 4 | RS485 (-) | Green |

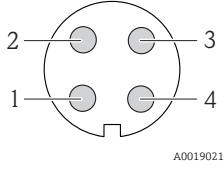
Pin assignment, device plug PROFIBUS PA

Device plug for signal transmission (device side)

|  | Pin | Assignment | Coding | Plug/socket |
|---|-----|---------------|---------------|-------------|
| | 1 | + | PROFIBUS PA + | A |
| 2 | | Grounding | | |
| 3 | - | PROFIBUS PA - | | |
| 4 | | Not assigned | | |

FOUNDATION Fieldbus

Device plug for signal transmission (device side)

|  | Pin | Assignment | Coding | Plug/socket |
|--|-----|--------------|----------|-------------|
| | 1 | + | Signal + | A |
| 2 | - | Signal - | | |
| 3 | | Not assigned | | |
| 4 | | Grounding | | |

Supply voltage

Transmitter

An external power supply is required for each output.



Supply voltage for a compact version without a local display ¹⁾

| Order code for "Output" | Minimum terminal voltage ²⁾ | Maximum terminal voltage |
|--|--|--------------------------|
| Option A: 4-20 mA HART | ≥ DC 12 V | DC 35 V |
| Option B: 4-20 mA HART, pulse/frequency/switch output | ≥ DC 12 V | DC 35 V |
| Option C: 4-20 mA HART + 4-20 mA analog | ≥ DC 12 V | DC 30 V |
| Option D: 4-20 mA HART, pulse/frequency/switch output, 4-20 mA current input ³⁾ | ≥ DC 12 V | DC 35 V |
| Option E: FOUNDATION Fieldbus, pulse/frequency/switch output | ≥ DC 9 V | DC 32 V |
| Option G: PROFIBUS PA, pulse/frequency/switch output | ≥ DC 9 V | DC 32 V |



- 1) In event of external supply voltage of the power supply unit with load, the PROFIBUS DP/PA coupler or FOUNDATION Fieldbus power conditioner
- 2) The minimum terminal voltage increases if local operation is used: see the following table
- 3) Voltage drop 2.2 to 3 V for 3.59 to 22 mA

Increase in minimum terminal voltage

| Local operation | Increase in minimum terminal voltage |
|---|--------------------------------------|
| Order code for "Display; Operation", option C: Local operation SD02 | + DC 1 V |
| Order code for "Display; Operation", option E: Local operation SD03 with lighting (backlighting not used) | + DC 1 V |
| Order code for "Display; Operation", option E: Local operation SD03 with lighting (backlighting used) | + DC 3 V |

 For information about the load see →  14


 Various power supply units can be ordered from Endress+Hauser: see "Accessories" section →  95

 For information on the Ex connection values →  15

Power consumption

Transmitter


| Order code for "Output" | Maximum power consumption |
|--|---|
| Option A: 4-20 mA HART | 770 mW |
| Option B: 4-20 mA HART, pulse/frequency/switch output | <ul style="list-style-type: none"> ▪ Operation with output 1: 770 mW ▪ Operation with output 1 and 2: 2 770 mW |
| Option C: 4-20 mA HART + 4-20 mA analog | <ul style="list-style-type: none"> ▪ Operation with output 1: 660 mW ▪ Operation with output 1 and 2: 1 320 mW |
| Option D: 4-20 mA HART, pulse/frequency/switch output, 4-20 mA current input | <ul style="list-style-type: none"> ▪ Operation with output 1: 770 mW ▪ Operation with output 1 and 2: 2 770 mW ▪ Operation with output 1 and input: 840 mW ▪ Operation with output 1, 2 and input: 2 840 mW |
| Option E: FOUNDATION Fieldbus, pulse/frequency/switch output | <ul style="list-style-type: none"> ▪ Operation with output 1: 512 mW ▪ Operation with output 1 and 2: 2 512 mW |
| Option G: PROFIBUS PA, pulse/frequency/switch output | <ul style="list-style-type: none"> ▪ Operation with output 1: 512 mW ▪ Operation with output 1 and 2: 2 512 mW |

 For information on the Ex connection values →  15

Current consumption

Current output

For every 4-20 mA or 4-20 mA HART current output: 3.6 to 22.5 mA

 If the option **Defined value** is selected in the **Failure mode** parameter : 3.59 to 22.5 mA

Current input

3.59 to 22.5 mA

 Internal current limiting: max. 26 mA

PROFIBUS PA

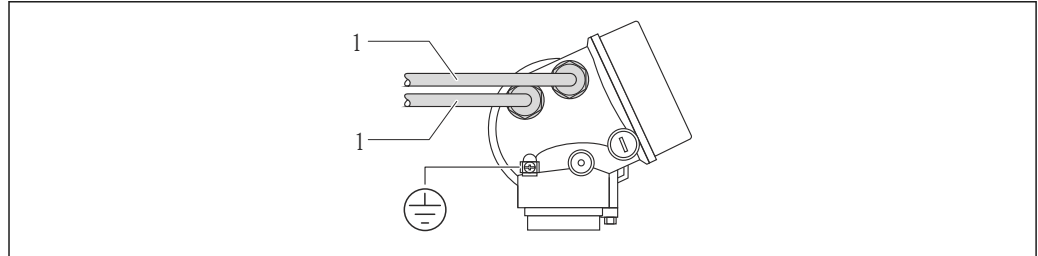
15 mA

FOUNDATION Fieldbus

15 mA

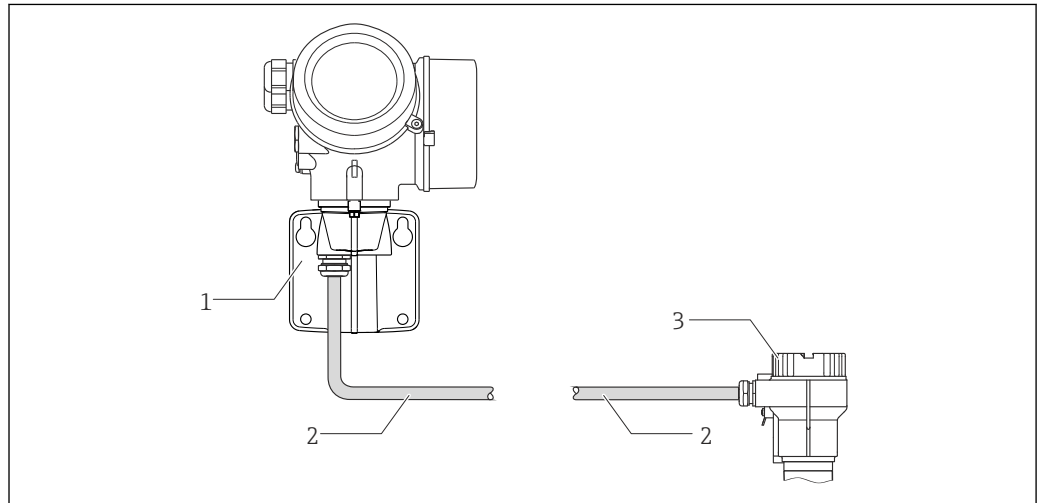
Power supply failure

- Totalizers stop at the last value measured.
- Configuration is retained in the device memory (HistoROM).
- Error messages (incl. total operated hours) are stored.

Electrical connection**Connecting the transmitter**

A0020740

- 1 Cable entries for inputs/outputs

Remote version connection*Connecting cable*

A0019727

 4 *Connecting cable connection*

- 1 Wall holder with connection compartment (transmitter)
 2 Connecting cable
 3 Sensor connection housing

 The way the transmitter wall holder is connected depends on the measuring device approval and the version of the connecting cable used.

Connection is only possible via terminals:

- For approvals Ex n, Ex tb and cCSAus Div. 1
- If a reinforced connecting cable is used

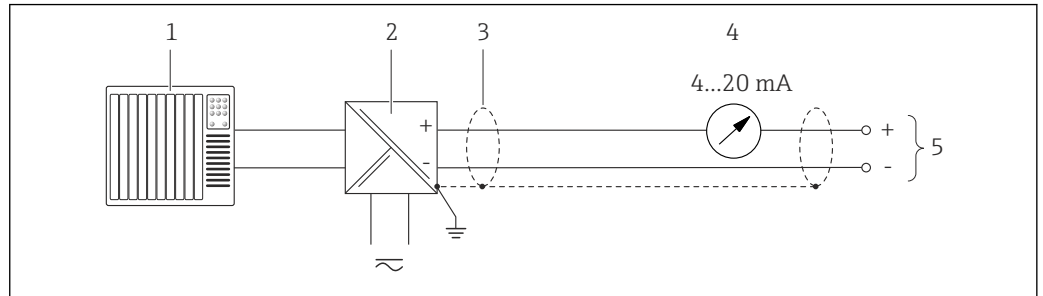
The connection is via an M12 connector:

- For all other approvals
- If the standard connecting cable is used

Connection to the connection housing of the sensor is always via the terminals (tightening torque for terminals: 1.2 to 1.7 Nm).

Connection examples

Current output 4-20 mA HART

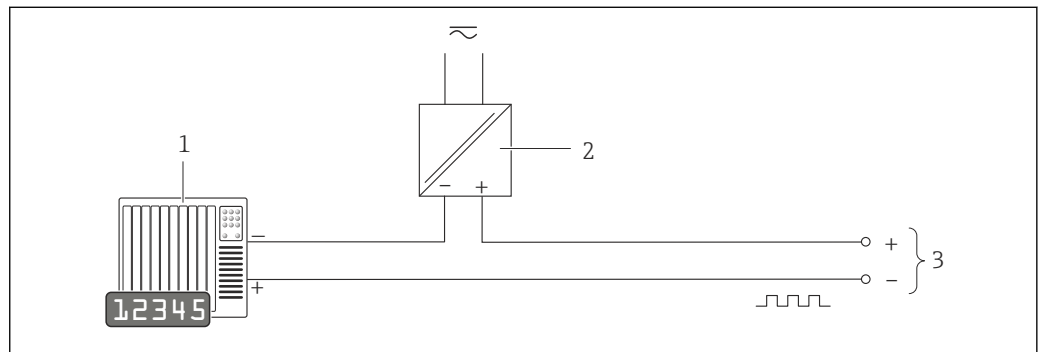


A0015511

5 Connection example for 4-20 mA HART current output (passive)

- 1 Automation system with current input (e.g. PLC)
- 2 Active barrier for power supply with integrated resistor for HART communication ($\geq 250 \Omega$) (e.g. RN221N)
Connection for HART operating devices → 84
Observe the maximum load → 14
- 3 Cable shield, observe cable specifications
- 4 Analog display unit: observe maximum load → 14
- 5 Transmitter

Pulse/frequency output

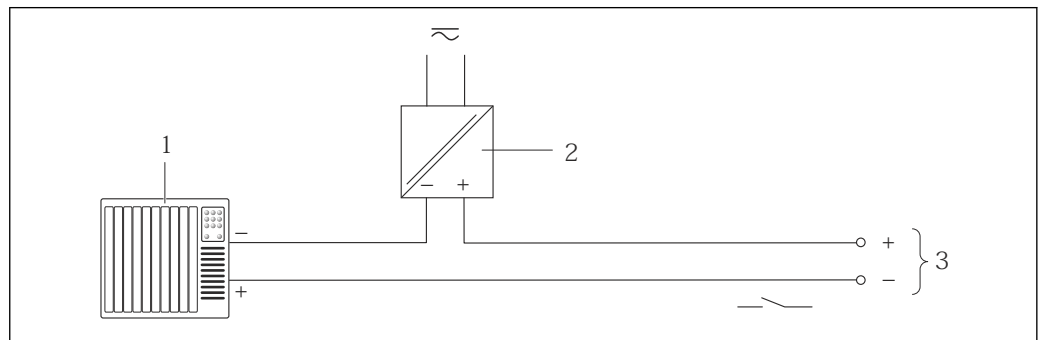


A0016801

6 Connection example for pulse/frequency output (passive)

- 1 Automation system with pulse/frequency input (e.g. PLC)
- 2 Power supply
- 3 Transmitter: observe input values → 11

Switch output

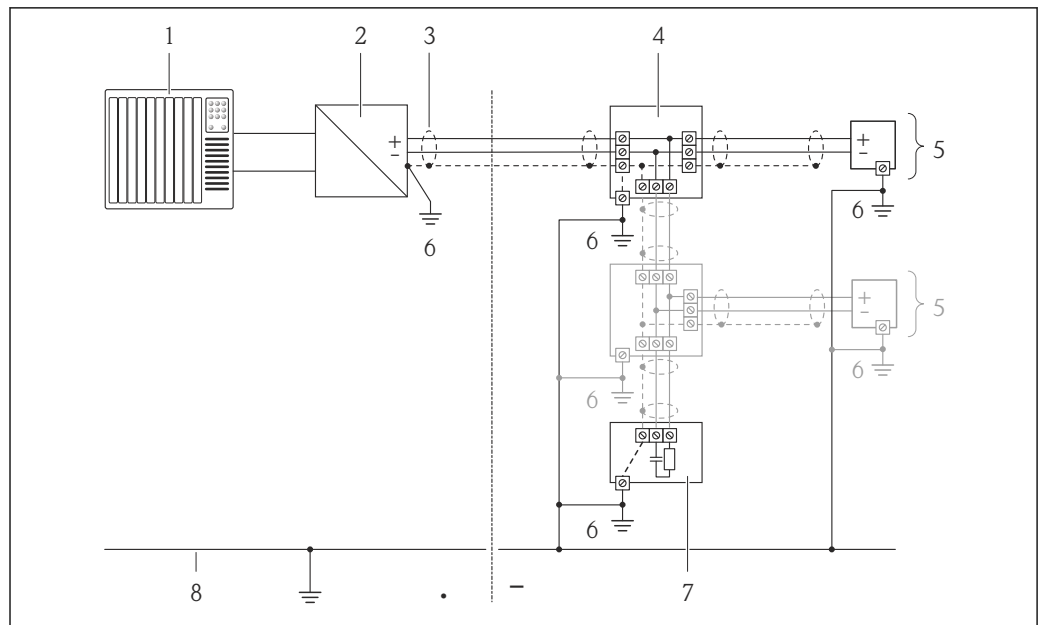


A0016802

7 Connection example for switch output (passive)

- 1 Automation system with switch input (e.g. PLC)
- 2 Power supply
- 3 Transmitter: observe input values

PROFIBUS-PA

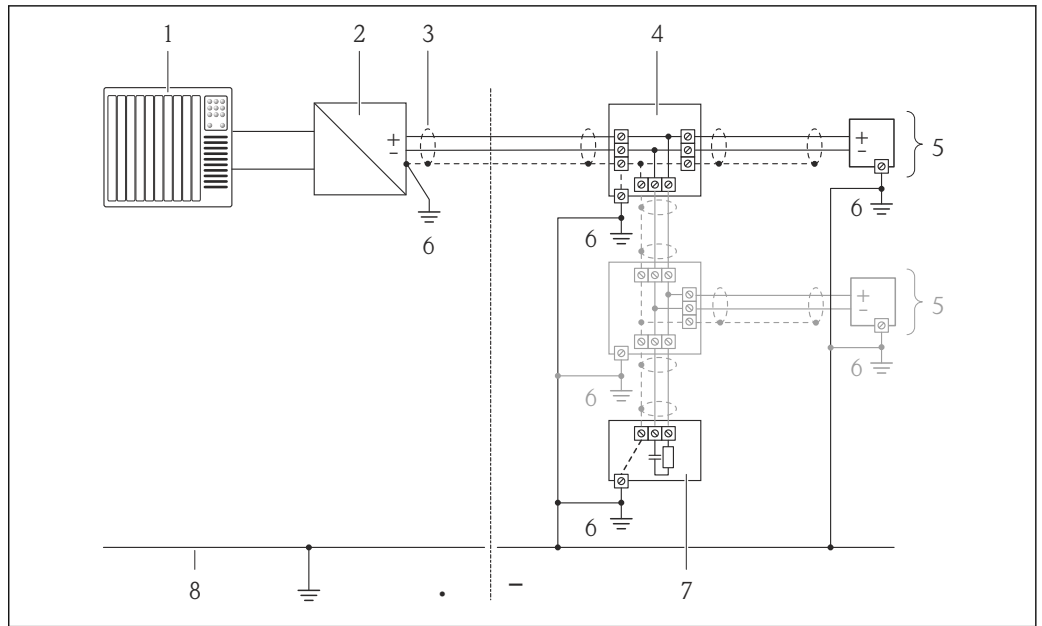


A0019004

8 Connection example for PROFIBUS-PA

- 1 Control system (e.g. PLC)
- 2 Segment coupler PROFIBUS DP/PA
- 3 Cable shield
- 4 T-box
- 5 Measuring device
- 6 Local grounding
- 7 Bus terminator
- 8 Potential matching line

FOUNDATION Fieldbus

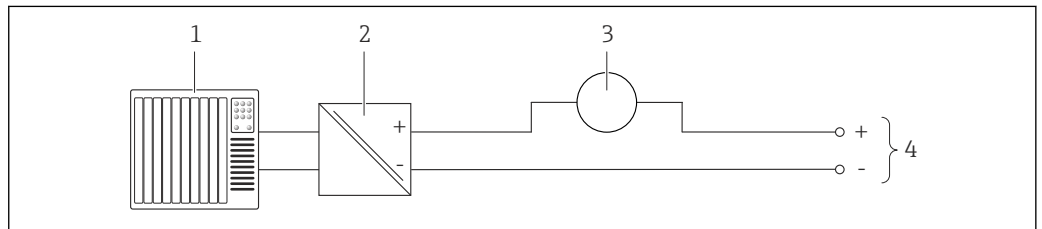


A0019004

9 Connection example for FOUNDATION Fieldbus

- 1 Control system (e.g. PLC)
- 2 Power Conditioner (FOUNDATION Fieldbus)
- 3 Cable shield
- 4 T-box
- 5 Measuring device
- 6 Local grounding
- 7 Bus terminator
- 8 Potential matching line

Current input

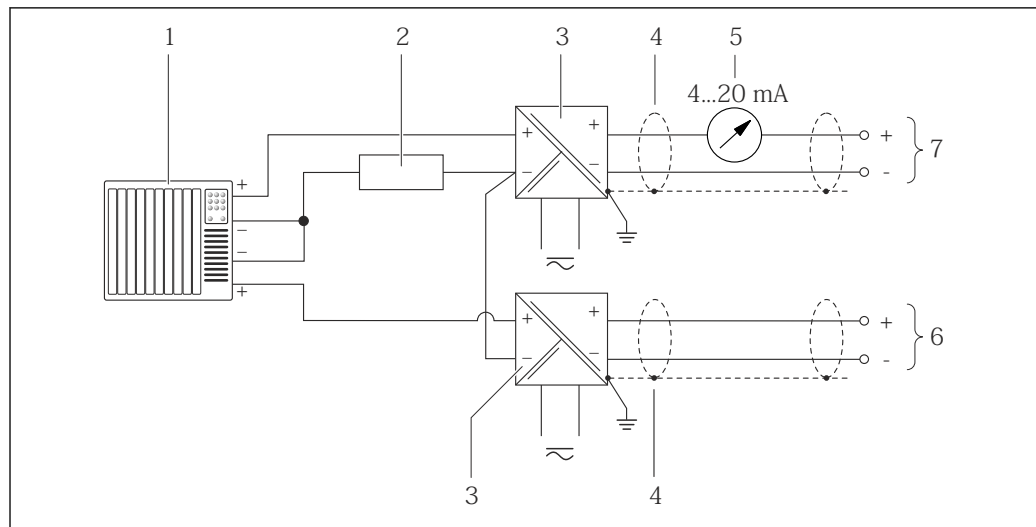


A0020741

10 Connection example for 4-20 mA current input

- 1 Control system (e.g. PLC)
- 2 Power supply
- 3 External measuring device (for reading in pressure or temperature, for instance)
- 4 Transmitter: Observe input values → 10

HART input



A0016029

11 Connection example for HART input with a common negative

- 1 Automation system with HART output (e.g. PLC)
- 2 Resistor for HART communication ($\geq 250 \Omega$): observe maximum load \rightarrow 14
- 3 Active barrier for power supply (e.g. RN221N)
- 4 Cable shield, observe cable specifications
- 5 Analog display unit: observe maximum load \rightarrow 14
- 6 Pressure transmitter (e.g. Cerabar M, Cerabar S): see requirements
- 7 Transmitter

Potential equalization

Requirements

Please consider the following to ensure correct measurement:

- Same electrical potential for the fluid and sensor
- Remote version: same electrical potential for the sensor and transmitter
- Company-internal grounding concepts
- Pipe material and grounding



For devices intended for use in hazardous locations, please observe the guidelines in the Ex documentation (XA).

Terminals

- For device version without integrated overvoltage protection: plug-in spring terminals for wire cross-sections 0.5 to 2.5 mm² (20 to 14 AWG)
- For device version with integrated overvoltage protection: screw terminals for wire cross-sections 0.2 to 2.5 mm² (24 to 14 AWG)

Cable entries

- Cable gland (not for Ex d): M20 \times 1.5 with cable ϕ 6 to 12 mm (0.24 to 0.47 in)
- Thread for cable entry:
 - For non-Ex and Ex: NPT 1/2"
 - For non-Ex and Ex (not for CSA Ex d/XP): G 1/2"
 - For Ex d: M20 \times 1.5

Cable specification

Permitted temperature range

- -40 °C (-40 °F) to +80 °C (+176 °F)
- Minimum requirement: cable temperature range \geq ambient temperature +20 K

Signal cable

Current output

- For 4-20 mA: standard installation cable is sufficient.
- For 4-20 mA HART: Shielded cable recommended. Observe grounding concept of the plant.

Pulse/frequency/switch output

Standard installation cable is sufficient.

Current input

Standard installation cable is sufficient.

FOUNDATION Fieldbus

Twisted, shielded two-wire cable.



For further information on planning and installing FOUNDATION Fieldbus networks see:

- Operating Instructions for "FOUNDATION Fieldbus Overview" (BA00013S)
- FOUNDATION Fieldbus Guideline
- IEC 61158-2 (MBP)

PROFIBUS PA

Twisted, shielded two-wire cable. Cable type A is recommended.



For further information on planning and installing PROFIBUS PA networks see:

- Operating Instructions "PROFIBUS DP/PA: Guidelines for planning and commissioning" (BA00034S)
- PNO Directive 2.092 "PROFIBUS PA User and Installation Guideline"
- IEC 61158-2 (MBP)

Connecting cable for remote version

Connecting cable (standard)

| | |
|------------------------------|--|
| Standard cable | 2 × 2 × 0.34 mm ² (22 AWG) PVC cable with common shield (2 pairs, pair-stranded) |
| Flame resistance | According to DIN EN 60332-1-2 |
| Oil-resistance | According to DIN EN 60811-2-1 |
| Shielding | Galvanized copper-braid, opt. density approx. 85% |
| Cable length | 5 m (16 ft), 10 m (32 ft), 20 m (65 ft), 30 m (98 ft) |
| Operating temperature | When mounted in a fixed position: -50 to +105 °C (-58 to +221 °F); when cable can move freely: -25 to +105 °C (-13 to +221 °F) |

Connecting cable (reinforced)

| | |
|--|--|
| Cable, reinforced | 2 × 2 × 0.34 mm ² (22 AWG) PVC cable with common shield (2 pairs, pair-stranded) and additional steel-wire braided sheath |
| Flame resistance | According to DIN EN 60332-1-2 |
| Oil-resistance | According to DIN EN 60811-2-1 |
| Shielding | Galvanized copper-braid, opt. density approx. 85% |
| Strain relief and reinforcement | Steel-wire braid, galvanized |
| Cable length | 5 m (16 ft), 10 m (32 ft), 20 m (65 ft), 30 m (98 ft) |
| Operating temperature | When mounted in a fixed position: -50 to +105 °C (-58 to +221 °F); when cable can move freely: -25 to +105 °C (-13 to +221 °F) |

Overvoltage protection

The device can be ordered with integrated overvoltage protection for diverse approvals: Order code for "Accessory mounted", option NA "Overvoltage protection"

| | |
|-------------------------------|--|
| Input voltage range | Values correspond to supply voltage specifications ¹⁾ |
| Resistance per channel | 2 · 0.5 Ω max |
| DC sparkover voltage | 400 to 700 V |
| Trip surge voltage | < 800 V |
| Capacitance at 1 MHz | < 1.5 pF |

| | |
|--|--------------------------------|
| Nominal discharge current (8/20 μ s) | 10 kA |
| Temperature range | -40 to +85 °C (-40 to +185 °F) |

1) The voltage is reduced by the amount of the internal resistance $I_{min} \cdot R_i$

i Depending on the temperature class, restrictions apply to the ambient temperature for device versions with overvoltage protection → 45

Performance characteristics

Reference operating conditions

- Error limits following ISO/DIN 11631
- +20 to +30 °C (+68 to +86 °F)
- 2 to 4 bar (29 to 58 psi)
- Calibration system traceable to national standards
- Calibration with the process connection corresponding to the particular standard

i To obtain measured errors, use the *Applicator* sizing tool → 94

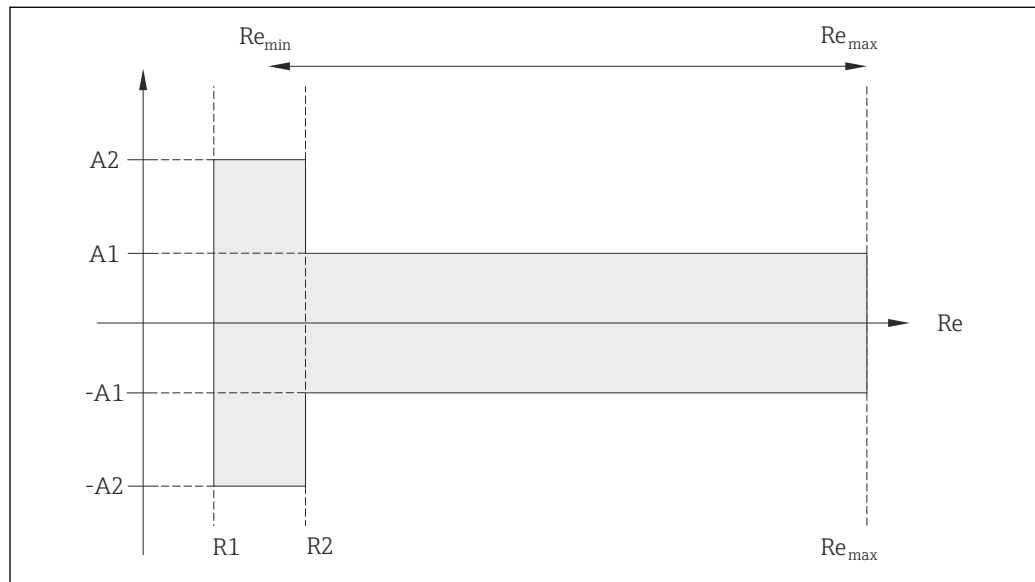
Maximum measured error

Base accuracy

o.r. = of reading, Re = Reynolds number

Volume flow

The measured error for the volume flow is as follows depending on the Reynolds number and the compressibility of the medium under measurement:



A0019703

| Deviation of volume flow value (absolute) from the reading | | | |
|--|--------------------------|----------------|----------------------------|
| Medium type | | Incompressible | Compressible ¹⁾ |
| Re range | Measured value deviation | Standard | Standard |
| R1 to R2 | A2 | < 10 % | < 10 % |
| R2 to Re _{max} | A1 | < 0.75 % | < 1.0 % |

1) Accuracy specifications valid up to 75 m/s (246 ft/s)

| Reynolds numbers | Incompressible | Compressible |
|------------------|----------------|--------------|
| | Standard | Standard |
| R1 | 5 000 | |
| R2 | 20 000 | |

Temperature

- Saturated steam and liquids at room temperature if $T > 100\text{ °C}$ (212 °F) applies: $< 1\text{ °C}$ (1.8 °F)
- Gas: $< 1\%$ o.r. [K]
- Volume flow: $> 70\text{ m/s}$ (230 ft/s): 2% o.r.

Rise time 50 % (stirred under water, following IEC 60751): 8 s

Mass flow (saturated steam)

- Flow velocities 20 to 50 m/s (66 to 164 ft/s), $T > 150\text{ °C}$ (302 °F) or (423 K)
 - Re $> 20\,000$: $< 1.7\%$ o.r.
 - Re between 5 000 to 20 000: $< 10\%$ o.r.
- Flow velocities 10 to 70 m/s (33 to 210 ft/s), $T > 140\text{ °C}$ (284 °F) or (413 K)
 - Re $> 20\,000$: $< 2\%$ o.r.
 - Re between 5 000 to 20 000: $< 10\%$ o.r.
- Flow velocities $< 10\text{ m/s}$ (33 ft/s): Re $> 5\,000$: 5%



The use of a Cerabar S is required for the measured errors listed in the following section. The measured error used to calculate the error in the measured pressure is 0.15%.

Mass flow of superheated steam and gas (single gas, gas mixture, air: NEL40; natural gas: ISO 12213-2 contains AGA8-DC92, AGA NX-19, ISO 12213-3 contains SGERG-88 and AGA8 Gross Method 1)

- Re $> 20\,000$ and process pressure $< 40\text{ bar abs.}$ (580 psi abs.): 1.7 % o.r.
- Re between 5 000 to 20 000 and process pressure $< 40\text{ bar abs.}$ (580 psi abs.): 10 % o.r.
- Re $> 20\,000$ and process pressure $< 120\text{ bar abs.}$ (1 740 psi abs.): 2.6 % o.r.
- Re between 5 000 to 20 000 and process pressure $< 120\text{ bar abs.}$ (1 740 psi abs.): 10 % o.r.

abs. = absolute

Mass flow (water)

- Re 20 000: $< 0.85\%$ o.r.
- Re between 5 000 to 20 000: $< 10\%$ o.r.

Mass flow (user-defined liquids)

To specify the system accuracy, Endress+Hauser requires information about the type of liquid and its operating temperature or information in table form about the dependency between the liquid density and the temperature.

Example

- Acetone is to be measured at fluid temperatures from $+70$ to $+90\text{ °C}$ ($+158$ to $+194\text{ °F}$).
- For this purpose, the **Reference temperature** parameter (7703) (here 80 °C (176 °F)), **Reference density** parameter (7700) (here 720.00 kg/m^3) and **Linear expansion coefficient** parameter (7621) (here $18.0298 \times 10^{-4}\text{ 1/°C}$) must be entered in the transmitter.
- The overall system uncertainty, which is less than 0.9 % for the example above, is comprised of the following measurement uncertainties: uncertainty of volume flow measurement, uncertainty of temperature measurement, uncertainty of the density-temperature correlation used (incl. the resulting uncertainty of density).

Mass flow (other media)

Depends on the selected fluid and the pressure value, which is specified in the parameters. Individual error analysis must be performed.

Diameter mismatch correction

Prowirl 200 can correct shifts in the calibration factor which are caused, for example, by diameter mismatch between the device flange (e.g. ASME B16.5/Sch. 80, DN 50 (2")) and the mating pipe (e.g. ASME B16.5/Sch. 40, DN 50 (2")). Only apply diameter mismatch correction within the following limit values (listed below) for which test measurements have also been performed.

Flange connection:

- DN 15 (1/2"): $\pm 20\%$ of the internal diameter
- DN 25 (1"): $\pm 15\%$ of the internal diameter
- DN 40 (1 1/2"): $\pm 12\%$ of the internal diameter
- DN ≥ 50 (2"): $\pm 10\%$ of the internal diameter

If the standard internal diameter of the ordered process connection differs from the internal diameter of the mating pipe, an additional measuring uncertainty of approx. 2 % o.r. must be expected.

Example

Influence of the diameter mismatch without using the correction function:

- Mating pipe DN 100 (4"), schedule 80
- Device flange DN 100 (4"), schedule 40
- This installation position results in a diameter mismatch of 5 mm (0.2 in). If the correction function is not used, an additional measuring uncertainty of approx. 2 % o.r. must be expected.



For detailed information about diameter mismatch correction, refer to the Operating Instructions

Accuracy of outputs

The outputs have the following base accuracy specifications.

Current output

| | |
|----------|--------|
| Accuracy | ±10 µA |
|----------|--------|

Pulse/frequency output

o.r. = of reading

| | |
|----------|--------------------|
| Accuracy | Max. ±100 ppm o.r. |
|----------|--------------------|

Repeatability

o.r. = of reading

±0.2 % o.r.

Response time

If all the configurable functions for filter times (flow damping, display damping, current output time constant, frequency output time constant, status output time constant) are set to 0, in the event of vortex frequencies of 10 Hz and higher a response time of $\max(T_v, 100 \text{ ms})$ can be expected.

In the event of measuring frequencies < 10 Hz, the response time is > 100 ms and can be up to 10 s. T_v is the average vortex period duration of the flowing fluid.

Influence of ambient temperature

Current output

o.r. = of reading

Additional error, based on span of 16 mA:

| | |
|--|-------------|
| Temperature coefficient at zero point (4 mA) | 0.02 %/10 K |
| Temperature coefficient with span (20 mA) | 0.05 %/10 K |

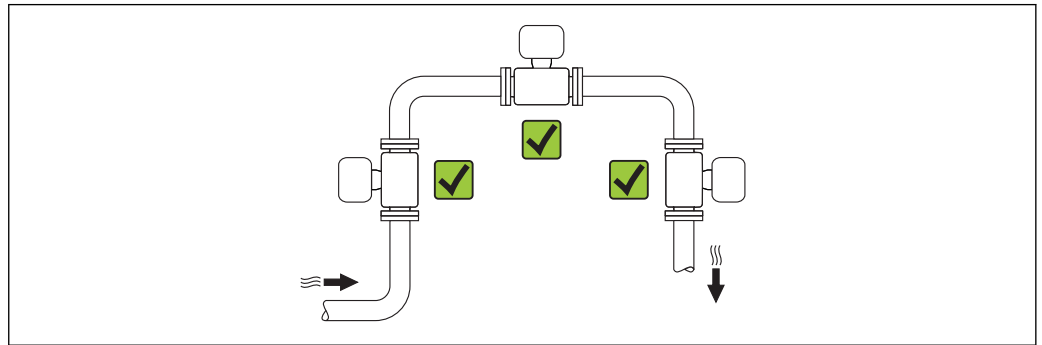
Pulse/frequency output

o.r. = of reading

| | |
|-------------------------|--------------------|
| Temperature coefficient | Max. ±100 ppm o.r. |
|-------------------------|--------------------|

Installation

Mounting location



A0015543

Orientation

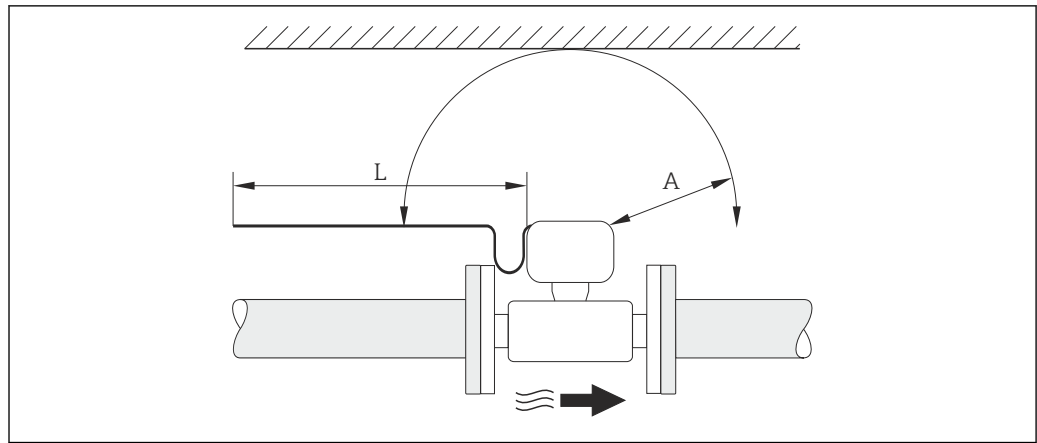
The direction of the arrow on the sensor nameplate helps you to install the sensor according to the flow direction (direction of medium flow through the piping).

Vortex meters require a fully developed flow profile as a prerequisite for correct volume flow measurement. Therefore, please note the following:

| Orientation | | Compact version | Remote version |
|-------------|--|---------------------|----------------|
| A | Vertical orientation | ✓✓ ¹⁾ | ✓✓ |
| B | Horizontal orientation, transmitter head up | ✓✓ ^{2) 3)} | ✓✓ |
| C | Horizontal orientation, transmitter head down | ✓✓ ^{4) 5)} | ✓✓ |
| D | Horizontal orientation, transmitter head at side | ✓✓ ⁴⁾ | ✓✓ |

- 1) In the case of liquids, there should be upward flow in vertical pipes to avoid partial pipe filling (Fig. A). Disruption in flow measurement! In the case of vertical orientation and downward flowing liquid, the pipe always needs to be completely filled to ensure correct liquid flow measurement.
- 2) Danger of electronics overheating! If the fluid temperature is $\geq 200\text{ °C}$ (392 °F) orientation B is not permitted for the wafer version (Prowirl D) with nominal diameters DN 100 (4") and DN 150 (6").
- 3) In the case of hot media (e.g. steam or fluid temperature (TM) $\geq 200\text{ °C}$ (392 °F): orientation C or D
- 4) In the case of very cold media (e.g. liquid nitrogen): orientation B or D
- 5) For "wet steam detection/measurement" option: orientation C

Minimum spacing and cable length



A0019211

- A* Minimum spacing in all directions
L Required cable length

The following dimensions must be observed to guarantee problem-free access to the device for service purposes:

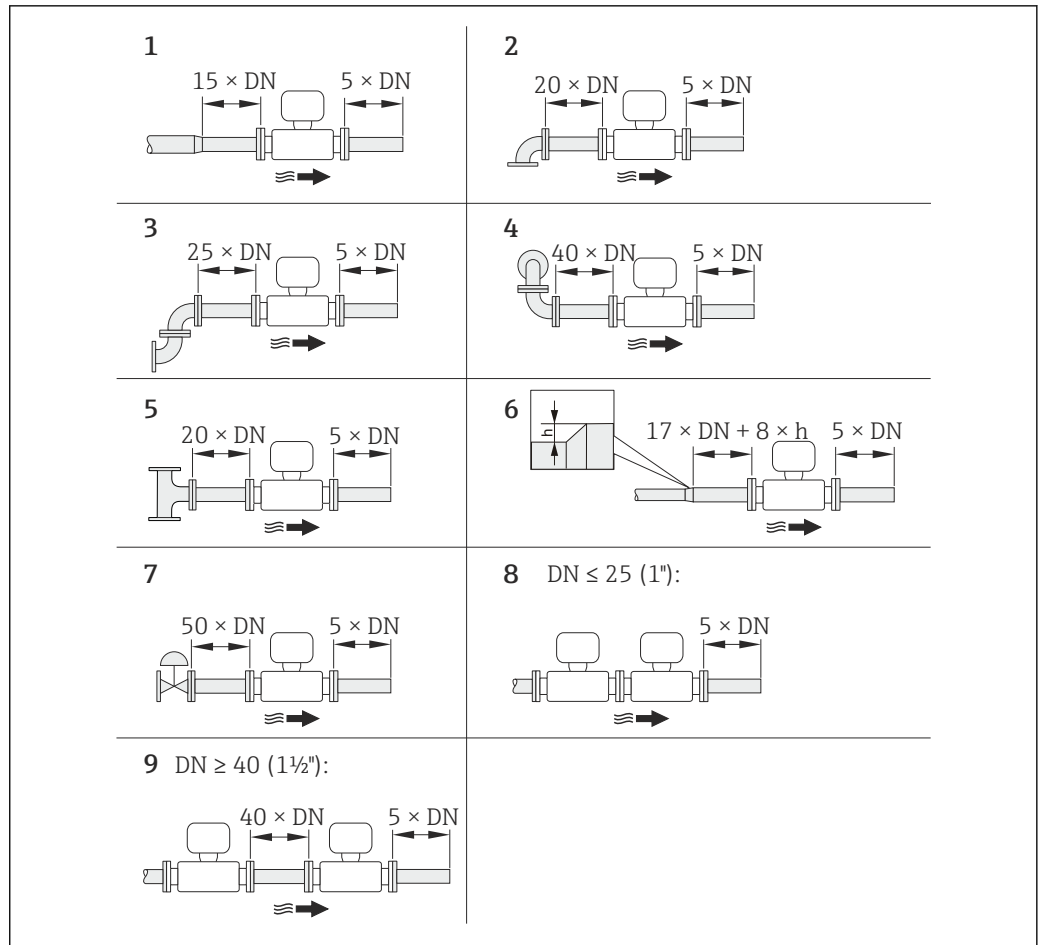
- $A = 100 \text{ mm}$ (3.94 in)
- $L = L + 150 \text{ mm}$ (5.91 in)

Rotating the electronics housing and the display

The electronics housing can be rotated continuously by 360° on the housing support. The display unit can be rotated in 45° stages. This means you can read the display comfortably from all directions.

Inlet and outlet runs

To attain the specified level of accuracy of the measuring device, the inlet and outlet runs mentioned below must be maintained at the very minimum.



A0019189

12 Minimum inlet and outlet runs with various flow obstructions

h Difference in expansion

1 Reduction by one nominal diameter size

2 Single elbow (90° elbow)

3 Double elbow (2 × 90° elbows, opposite)

4 Double elbow 3D (2 × 90° elbows, opposite, not on one plane)

5 T-piece

6 Expansion

7 Control valve

8 Two measuring devices in a row where $DN \leq 25$ (1''): directly flange on flange

9 Two measuring devices in a row where $DN \geq 40$ (1 1/2''): for spacing, see graphic

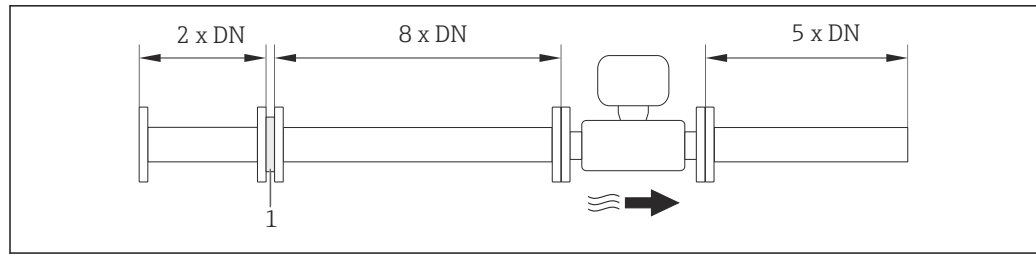
- i** If there are several flow disturbances present, the longest specified inlet run must be maintained.
- If the required inlet runs cannot be observed, it is possible to install a specially designed flow conditioner → 43.

i The **inlet run correction** function:

- Makes it possible to shorten the inlet run to a minimum length of $10 \times DN$ in the event of flow obstructions 1 to 4. An additional measuring uncertainty of $\pm 0.5\%$ o.r. occurs here.
- Cannot be combined with the **wet steam detection/measurement** → 91 application package. If wet steam detection/measurement is used, the corresponding inlet runs must be taken into consideration. It is not possible to use a flow conditioner for wet steam.

Flow conditioner

If the required inlet runs cannot be observed, it is possible to install a specially designed flow conditioner which can be ordered from Endress+Hauser. The flow conditioner is fitted between two pipe flanges and centered by the mounting bolts. Generally this reduces the inlet run needed to $10 \times DN$ with full accuracy.



A0019208

1 Flow conditioner

The pressure loss for flow conditioners is calculated as follows: $\Delta p \text{ [mbar]} = 0.0085 \cdot \rho \text{ [kg/m}^3\text{]} \cdot v^2 \text{ [m/s]}$

Example for steam

$p = 10 \text{ bar abs.}$

$t = 240 \text{ }^\circ\text{C} \rightarrow \rho = 4.39 \text{ kg/m}^3$

$v = 40 \text{ m/s}$

$\Delta p = 0.0085 \cdot 4.39 \cdot 40^2 = 59.7 \text{ mbar}$

Example for H₂O condensate (80 °C)

$\rho = 965 \text{ kg/m}^3$

$v = 2.5 \text{ m/s}$

$\Delta p = 0.0085 \cdot 965 \cdot 2.5^2 = 51.3 \text{ mbar}$

ρ : density of the process medium

v : average flow velocity

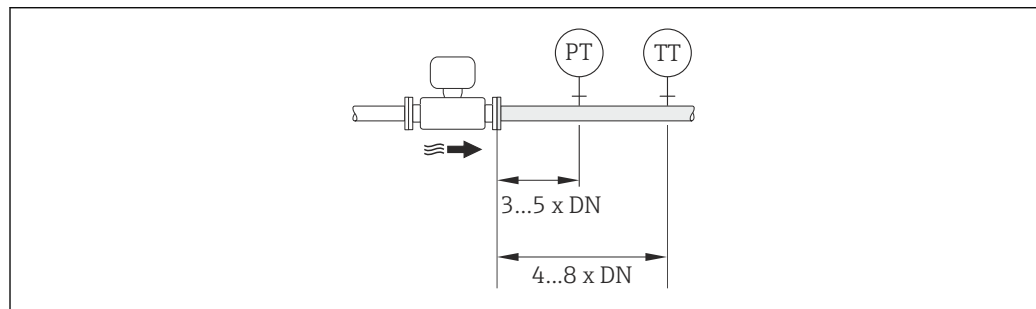
abs. = absolute



For information on the flow conditioner

Outlet runs when installing external devices

If installing an external device, observe the specified distance.



A0019205

PT Pressure transmitter

TT Temperature transmitter

Length of connecting cable

To ensure correct measuring results when using the remote version,

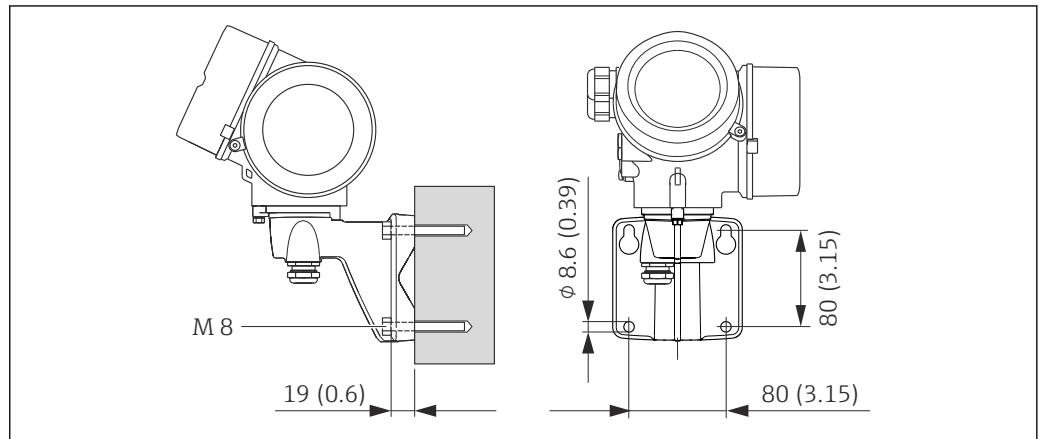
- observe the maximum permitted cable length: $L_{\text{max}} = 30 \text{ m (90 ft)}$.
- The value for the cable length must be calculated if the cable cross-section differs from the specification.



For detailed information about calculating the length of the connecting cable, refer to the Operating Instructions for the device on the CD-ROM provided

Installing the wall-mount housing

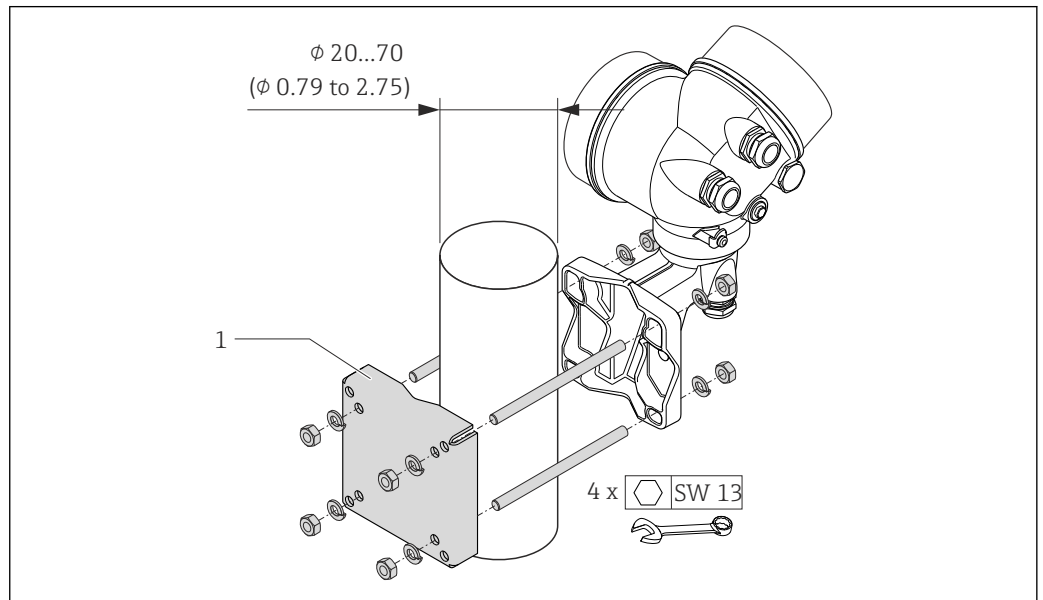
Wall mounting



13 Engineering unit mm (in)

A0019864

Post mounting



14 Engineering unit mm (in)

A0019862

1 Post retainer kit for post mounting

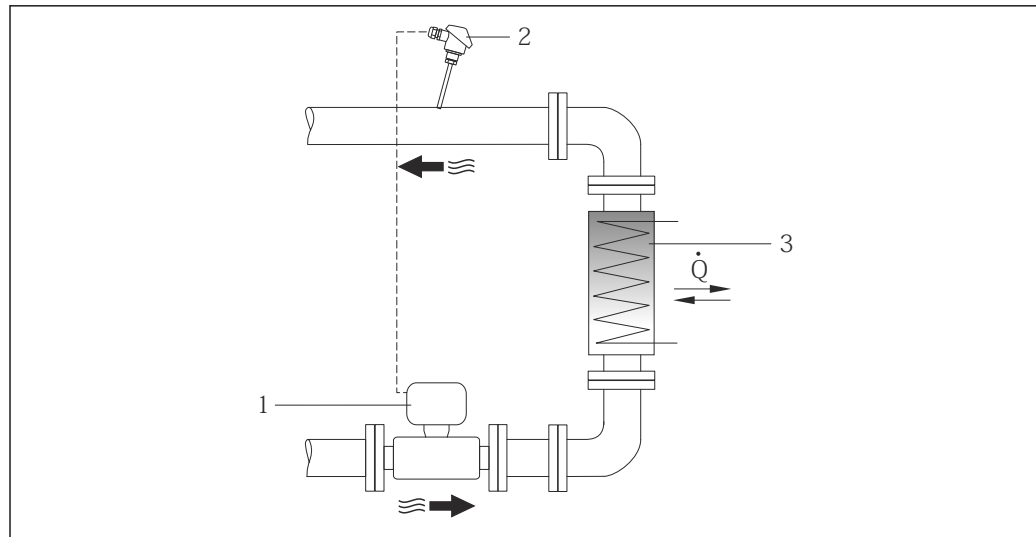
Special mounting instructions

Installation for delta heat measurements

Order code for "Sensor version", option 3 "Mass flow (integrated temperature measurement)"

The second temperature measurement is taken using a separate temperature sensor. The measuring device reads in this value via a communication interface.

- In the case of saturated steam delta heat measurements, the Prowirl 200 must be installed on the steam side.
- In the case of water delta heat measurements, the Prowirl 200 can be installed on the cold or warm side.



A0019209

15 Layout for delta heat measurement of saturated steam and water

- 1 Prowirl
 2 Temperature sensor
 3 Heat exchanger
 Q Heat flow

Weather protection cover

Observe the following minimum head clearance: 222 mm (8.74 in)

i For information on the weather protection cover, see → 92

Environment

Ambient temperature range

Compact version

| | | |
|------------------|--------------------------|--|
| Measuring device | Non-Ex: | -40 to +80 °C (-40 to +176 °F) ¹⁾ |
| | Ex i: | -40 to +70 °C (-40 to +158 °F) ¹⁾ |
| | EEx d/XP version: | -40 to +60 °C (-40 to +140 °F) ¹⁾ |
| | ATEX II1/2G Ex d, Ex ia: | -40 to +60 °C (-40 to +140 °F) ¹⁾ |
| Local display | | -20 to +70 °C (-4 to +158 °F) ¹⁾ |

- 1) Additionally available as order code for "Test, certificate", option JN "Transmitter ambient temperature -50 °C (-58 °F)".



Remote version

| | | |
|-------------|--------------------------|--|
| Transmitter | Non-Ex: | -40 to +80 °C (-40 to +176 °F) ¹⁾ |
| | Ex i: | -40 to +80 °C (-40 to +176 °F) ¹⁾ |
| | Ex d: | -40 to +60 °C (-40 to +140 °F) ¹⁾ |
| | ATEX II1/2G Ex d, Ex ia: | -40 to +60 °C (-40 to +140 °F) ¹⁾ |
| Sensor | Non-Ex: | -40 to +85 °C (-40 to +185 °F) ¹⁾ |
| | Ex i: | -40 to +85 °C (-40 to +185 °F) ¹⁾ |
| | Ex d: | -40 to +85 °C (-40 to +185 °F) ¹⁾ |

| | | |
|----------------------|--------------------------|--|
| | ATEX III/2G Ex d, Ex ia: | -40 to +85 °C (-40 to +185 °F) ¹⁾ |
| Local display | | -20 to +70 °C (-4 to +158 °F) ¹⁾ |

1) Additionally available as order code for "Test, certificate", option JN "Transmitter ambient temperature -50 °C (-58 °F)".

- ▶ If operating outdoors:
Avoid direct sunlight, particularly in warm climatic regions.

 Weather protection covers can be ordered from Endress+Hauser: see "Accessories" section →  92

Temperature tables

T_m = fluid temperature, T_a = ambient temperature

The following interdependencies between the permitted ambient and fluid temperatures apply when operating the device in hazardous areas:

Compact version

Order code for "Sensor version", option 1 "Volume flow, basis"; option 3 "Mass flow (integrated temperature measurement)"

Order code for "Sensor version", option 2 "Volume flow, high-temperature/low-temperature"

 The following temperature tables apply to the low-temperature version →  45.

Order code for "Output", option A "4-20mA HART"

Order code for "Approval", all options

- Ex d, Ex ia, Ex ic, Ex nA, Ex tb
- $c_{CSA_{US}}$ IS, $c_{CSA_{US}}$ XP, $c_{CSA_{US}}$ NI

SI units

| Version with max. $T_m = 280$ °C | | | | | | |
|----------------------------------|---------------|----------------|----------------|----------------|----------------|----------------|
| T_a ¹⁾ [°C] | T6 [85 °C] | T5 [100 °C] | T4 [135 °C] | T3 [200 °C] | T2 [300 °C] | T1 [450 °C] |
| 40 | 80 | 95 | 130 | 195 | 280 | - |
| 60 | - | 95 | 130 | 195 | 280 | - |
| 65 | - | - | 130 | 195 | 280 | - |
| 70 | - | - | 130 | - | - | - |

1) The following applies for installations with overvoltage protection in conjunction with temperature class T5, T6 and approval options BA, BB, BD, BH, BJ, B2, IA, IB, ID, IH, IJ, I4, C2: $T_a = T_m - 2$ °C

US units

| Version with max. $T_m = 536$ °F | | | | | | |
|----------------------------------|----------------|----------------|----------------|----------------|----------------|----------------|
| T_a ¹⁾ [°F] | T6 [185 °F] | T5 [212 °F] | T4 [275 °F] | T3 [392 °F] | T2 [572 °F] | T1 [842 °F] |
| 104 | 176 | 203 | 266 | 383 | 536 | - |
| 140 | - | 203 | 266 | 383 | 536 | - |
| 149 | - | - | 266 | 383 | 536 | - |
| 158 | - | - | 266 | - | - | - |

1) The following applies to installations with overvoltage protection in conjunction with temperature class T5, T6 and approval options BA, BB, BD, BH, BJ, B2, IA, IB, ID, IH, IJ, I4, C2: $T_a = T_m - 35.6$ °F

Order code for "Output", option B "4-20mA HART, pulse/frequency/switch output"

Order code for "Approval", options BA, BB, BD, BH, BJ, B2, IA, IB, ID, IH, IJ, I4, C2

- Ex ia, Ex ic, Ex tb
- cCSA_{US} IS

SI units

| Version with max. $T_m = 280\text{ °C}$ | | | | | | |
|---|---------------|----------------|----------------|-------------------|-------------------|----------------|
| T_a ¹⁾ [°C] | T6 [85 °C] | T5 [100 °C] | T4 [135 °C] | T3 [200 °C] | T2 [300 °C] | T1 [450 °C] |
| 35 ²⁾ | 80 | 95 | 130 | 195 | 280 | - |
| 50 ³⁾ | - | 95 | 130 | 195 | 280 | - |
| 60 | - | - | 130 | 195 | 280 | - |
| 65 | - | - | 130 | 195 | 280 ⁴⁾ | - |
| 70 | - | - | 130 | 195 ⁵⁾ | 280 ⁵⁾ | - |

- 1) The following applies for installations with overvoltage protection in conjunction with temperature class T5, T6 and approval options BA, BB, BD, BH, BJ, B2, IA, IB, ID, IH, IJ, I4, C2: $T_a = T_m - 2\text{ °C}$
- 2) $T_a = 40\text{ °C}$ for pulse/frequency/switch output $P_i = 0.85\text{ W}$
- 3) $T_a = 55\text{ °C}$ for pulse/frequency/switch output $P_i = 0.85\text{ W}$
- 4) $T_a = 65\text{ °C}$ for pulse/frequency/switch output $P_i = 0.7\text{ W}$
- 5) $T_a = 70\text{ °C}$ for pulse/frequency/switch output $P_i = 0.7\text{ W}$

US units

| Version with max. $T_m = 536\text{ °F}$ | | | | | | |
|---|----------------|----------------|----------------|-------------------|-------------------|----------------|
| T_a ¹⁾ [°F] | T6 [185 °F] | T5 [212 °F] | T4 [275 °F] | T3 [392 °F] | T2 [572 °F] | T1 [842 °F] |
| 95 ²⁾ | 176 | 203 | 266 | 383 | 536 | - |
| 122 ³⁾ | - | 203 | 266 | 383 | 536 | - |
| 140 | - | - | 266 | 383 | 536 | - |
| 149 | - | - | 266 | 383 | 536 ⁴⁾ | - |
| 158 | - | - | 266 | 383 ⁵⁾ | 536 ⁵⁾ | - |

- 1) The following applies to installations with overvoltage protection in conjunction with temperature class T5, T6 and approval options BA, BB, BD, BH, BJ, B2, IA, IB, ID, IH, IJ, I4, C2: $T_a = T_m - 35.6\text{ °F}$
- 2) $T_a = 104\text{ °F}$ for pulse/frequency/switch output $P_i = 0.85\text{ W}$
- 3) $T_a = 131\text{ °F}$ for pulse/frequency/switch output $P_i = 0.85\text{ W}$
- 4) $T_a = 149\text{ °F}$ for pulse/frequency/switch output $P_i = 0.7\text{ W}$
- 5) $T_a = 158\text{ °F}$ for pulse/frequency/switch output $P_i = 0.7\text{ W}$

Order code for "Approval", options BC, BG, BK, B3, IC, IG, IK, I5, C3

- Ex d, Ex nA, Ex tb
- cCSA_{US} XP

SI units

| Version with max. $T_m = 280\text{ °C}$ | | | | | | |
|---|---------------|----------------|----------------|----------------|----------------|----------------|
| T_a [°C] | T6 [85 °C] | T5 [100 °C] | T4 [135 °C] | T3 [200 °C] | T2 [300 °C] | T1 [450 °C] |
| 40 | 80 | 95 | 130 | 195 | 280 | - |
| 55 | - | 95 | 130 | 195 | 280 | - |

| Version with max. $T_m = 280\text{ °C}$ | | | | | | |
|---|---------------|----------------|----------------|-------------------|-------------------|----------------|
| T_a [°C] | T6 [85 °C] | T5 [100 °C] | T4 [135 °C] | T3 [200 °C] | T2 [300 °C] | T1 [450 °C] |
| 65 | - | - | 130 | 195 | 280 ¹⁾ | - |
| 70 | - | - | 130 | 195 ²⁾ | 280 ²⁾ | - |

- 1) $T_a = 65\text{ °C}$ for pulse/frequency/switch output $P_i = 0.7\text{ W}$
- 2) $T_a = 70\text{ °C}$ for pulse/frequency/switch output $P_i = 0.7\text{ W}$

US units

| Version with max. $T_m = 536\text{ °F}$ | | | | | | |
|---|----------------|----------------|----------------|-------------------|-------------------|----------------|
| T_a [°F] | T6 [185 °F] | T5 [212 °F] | T4 [275 °F] | T3 [392 °F] | T2 [572 °F] | T1 [842 °F] |
| 104 | 176 | 203 | 266 | 383 | 536 | - |
| 131 | - | 203 | 266 | 383 | 536 | - |
| 149 | - | - | 266 | 383 | 536 ¹⁾ | - |
| 158 | - | - | 266 | 383 ²⁾ | 536 ²⁾ | - |

- 1) $T_a = 149\text{ °F}$ for pulse/frequency/switch output $P_i = 0.7\text{ W}$
- 2) $T_a = 158\text{ °F}$ for pulse/frequency/switch output $P_i = 0.7\text{ W}$

Order code for "Output", option C "4-20mA HART, 4-20mA analog"

Order code for "Approval", all options

- Ex d, Ex ia, Ex ic, Ex nA, Ex tb
- cCSA_{US} IS, cCSA_{US} XP, cCSA_{US} NI

SI units

| Version with max. $T_m = 280\text{ °C}$ | | | | | | |
|---|---------------|----------------|----------------|----------------|-------------------|----------------|
| T_a ¹⁾ [°C] | T6 [85 °C] | T5 [100 °C] | T4 [135 °C] | T3 [200 °C] | T2 [300 °C] | T1 [450 °C] |
| 40 | 80 | 95 | 130 | 195 | 280 | - |
| 55 | - | 95 | 130 | 195 | 280 | - |
| 60 | - | - | 130 | 195 | 280 | - |
| 65 | - | - | 130 | 195 | 280 ²⁾ | - |
| 70 | - | - | 130 | - | - | - |

- 1) The following applies for installations with overvoltage protection in conjunction with temperature class T5, T6 and approval options BA, BB, BD, BH, BJ, B2, IA, IB, ID, IH, IJ, I4, C2: $T_a = T_m - 2\text{ °C}$
- 2) $T_a = 65\text{ °C}$ for pulse/frequency/switch output $P_i = 0\text{ W}$

US units

| Version with max. $T_m = 536\text{ °F}$ | | | | | | |
|---|----------------|----------------|----------------|----------------|----------------|----------------|
| T_a ¹⁾ [°F] | T6 [185 °F] | T5 [212 °F] | T4 [275 °F] | T3 [392 °F] | T2 [572 °F] | T1 [842 °F] |
| 104 | 176 | 203 | 266 | 383 | 536 | - |
| 131 | - | 203 | 266 | 383 | 536 | - |
| 140 | - | - | 266 | 383 | 536 | - |

| Version with max. $T_m = 536\text{ °F}$ | | | | | | |
|---|----------------|----------------|----------------|----------------|-------------------|----------------|
| $T_a^{1)}$ [°F] | T6 [185 °F] | T5 [212 °F] | T4 [275 °F] | T3 [392 °F] | T2 [572 °F] | T1 [842 °F] |
| 149 | - | - | 266 | 383 | 536 ²⁾ | - |
| 158 | - | - | 266 | - | - | - |

- 1) The following applies to installations with overvoltage protection in conjunction with temperature class T5, T6 and approval options BA, BB, BD, BH, BJ, B2, IA, IB, ID, IH, IJ, I4, C2: $T_a = T_a - 35.6\text{ °F}$
- 2) $T_a = 149\text{ °F}$ for pulse/frequency/switch output $P_1 = 0\text{ W}$

Order code for "Output", option D "4-20 mA HART, PFS output; 4-20 mA input"

Order code for "Approval", all options

- Ex d, Ex ia, Ex ic, Ex nA, Ex tb
- $cCSA_{US}$ IS, $cCSA_{US}$ XP, $cCSA_{US}$ NI

SI units

| Version with max. $T_m = 280\text{ °C}$ | | | | | | |
|---|---------------|----------------|----------------|----------------|----------------|----------------|
| $T_a^{1)}$ [°C] | T6 [85 °C] | T5 [100 °C] | T4 [135 °C] | T3 [200 °C] | T2 [300 °C] | T1 [450 °C] |
| 35 | 80 | 95 | 130 | 195 | 280 | - |
| 50 | - | 95 | 130 | 195 | 280 | - |
| 55 | - | - | - | 195 | 280 | - |
| 60 | - | - | - | 195 | - | - |

- 1) The following applies for installations with overvoltage protection in conjunction with temperature class T5, T6 and approval options BA, BB, BD, BH, BJ, B2, IA, IB, ID, IH, IJ, I4, C2: $T_a = T_a - 2\text{ °C}$

US units

| Version with max. $T_m = 536\text{ °F}$ | | | | | | |
|---|----------------|----------------|----------------|----------------|----------------|----------------|
| $T_a^{1)}$ [°F] | T6 [185 °F] | T5 [212 °F] | T4 [275 °F] | T3 [392 °F] | T2 [572 °F] | T1 [842 °F] |
| 95 | 176 | 203 | 266 | 383 | 536 | - |
| 122 | - | 203 | 266 | 383 | 536 | - |
| 131 | - | - | - | 383 | 536 | - |
| 140 | - | - | - | 383 | - | - |

- 1) The following applies to installations with overvoltage protection in conjunction with temperature class T5, T6 and approval options BA, BB, BD, BH, BJ, B2, IA, IB, ID, IH, IJ, I4, C2: $T_a = T_a - 35.6\text{ °F}$

Order code for "Output", option E "FOUNDATION Fieldbus, pulse/frequency/switch output" and option G "PROFIBUS PA, pulse/frequency/switch output"

Order code for "Approval", all options

- Ex d, Ex ia, Ex ic, Ex nA, Ex tb
- $cCSA_{US}$ IS, $cCSA_{US}$ XP, $cCSA_{US}$ NI

SI units

| Version with max. $T_m = 280\text{ °C}$ | | | | | | |
|---|---------------|----------------|----------------|----------------|----------------|----------------|
| $T_a^{1)}$ [°C] | T6 [85 °C] | T5 [100 °C] | T4 [135 °C] | T3 [200 °C] | T2 [300 °C] | T1 [450 °C] |
| 40 | 80 | 95 | 130 | 195 | 280 | - |
| 50 ²⁾ | - | 95 | 130 | 195 | 280 | - |
| 60 | - | - | 130 | 195 | 280 | - |

| Version with max. $T_m = 280\text{ °C}$ | | | | | | |
|---|---------------|----------------|----------------|-------------------|-------------------|----------------|
| T_a ¹⁾ [°C] | T6 [85 °C] | T5 [100 °C] | T4 [135 °C] | T3 [200 °C] | T2 [300 °C] | T1 [450 °C] |
| 65 | - | - | 130 | 195 | 280 ³⁾ | - |
| 70 | - | - | 130 | 195 ⁴⁾ | 280 ⁴⁾ | - |

- 1) The following applies for installations with overvoltage protection in conjunction with temperature class T5, T6 and approval options BA, BB, BD, BH, BJ, B2, IA, IB, ID, IH, IJ, I4, C2: $T_a = T_a - 2\text{ °C}$
- 2) $T_a = 60\text{ °C}$ for pulse/frequency/switch output $P_i = 0\text{ W}$
- 3) $T_a = 65\text{ °C}$ for pulse/frequency/switch output $P_i = 0\text{ W}$
- 4) $T_a = 70\text{ °C}$ for pulse/frequency/switch output $P_i = 0\text{ W}$



US units

| Version with max. $T_m = 536\text{ °F}$ | | | | | | |
|---|----------------|----------------|----------------|-------------------|-------------------|----------------|
| T_a ¹⁾ [°F] | T6 [185 °F] | T5 [212 °F] | T4 [275 °F] | T3 [392 °F] | T2 [572 °F] | T1 [842 °F] |
| 104 | 176 | 203 | 266 | 383 | 536 | - |
| 122 ²⁾ | - | 203 | 266 | 383 | 536 | - |
| 140 | - | - | 266 | 383 | 536 | - |
| 149 | - | - | 266 | 383 | 536 ³⁾ | - |
| 158 | - | - | 266 | 383 ⁴⁾ | 536 ⁴⁾ | - |

- 1) The following applies to installations with overvoltage protection in conjunction with temperature class T5, T6 and approval options BA, BB, BD, BH, BJ, B2, IA, IB, ID, IH, IJ, I4, C2: $T_a = T_a - 35.6\text{ °F}$
- 2) $T_a = 140\text{ °F}$ for pulse/frequency/switch output $P_i = 0\text{ W}$
- 3) $T_a = 149\text{ °F}$ for pulse/frequency/switch output $P_i = 0\text{ W}$
- 4) $T_a = 158\text{ °F}$ for pulse/frequency/switch output $P_i = 0\text{ W}$

High-temperature version

Order code for "Sensor version", option 2 "Volume flow, high-temperature/low-temperature"

 The following temperature tables apply to the high-temperature version →  49.

Order code for "Output", option A "4-20mA HART"

Order code for "Approval", all options

- Ex d, Ex ia, Ex ic, Ex nA, Ex tb
- cCSA_{US} IS, cCSA_{US} XP, cCSA_{US} NI

SI units

| Version with max. $T_m = 440\text{ °C}$ | | | | | | |
|---|---------------|----------------|----------------|----------------|----------------|----------------|
| T_a ¹⁾ [°C] | T6 [85 °C] | T5 [100 °C] | T4 [135 °C] | T3 [200 °C] | T2 [300 °C] | T1 [450 °C] |
| 40 | 80 | 95 | 130 | 195 | 290 | 440 |
| 60 | - | 95 | 130 | 195 | 290 | 440 |
| 70 | - | - | 130 | 195 | 290 | 440 |

- 1) The following applies for installations with overvoltage protection in conjunction with temperature class T5, T6 and approval options BA, BB, BD, BH, BJ, B2, IA, IB, ID, IH, IJ, I4, C2: $T_a = T_a - 2\text{ °C}$

US units

| Version with max. $T_m = 824\text{ °F}$ | | | | | | |
|---|----------------|----------------|----------------|----------------|----------------|----------------|
| $T_a^{1)}$ [°F] | T6 [185 °F] | T5 [212 °F] | T4 [275 °F] | T3 [392 °F] | T2 [572 °F] | T1 [842 °F] |
| 104 | 176 | 203 | 266 | 383 | 554 | 824 |
| 140 | - | 203 | 266 | 383 | 554 | 824 |
| 158 | - | - | 266 | 383 | 554 | 824 |

- 1) The following applies to installations with overvoltage protection in conjunction with temperature class T5, T6 and approval options BA, BB, BD, BH, BJ, B2, IA, IB, ID, IH, IJ, I4, C2: $T_a = T_m - 35.6\text{ °F}$

Order code for "Output", option B "4-20mA HART, pulse/frequency/switch output"

Order code for "Approval", options BA, BB, BD, BH, BJ, B2, IA, IB, ID, IH, IJ, I4, C2

- Ex ia, Ex ic, Ex tb
- $cCSA_{US}$ IS

SI units

| Version with max. $T_m = 440\text{ °C}$ | | | | | | |
|---|---------------|----------------|----------------|-------------------|----------------|-------------------|
| $T_a^{1)}$ [°C] | T6 [85 °C] | T5 [100 °C] | T4 [135 °C] | T3 [200 °C] | T2 [300 °C] | T1 [450 °C] |
| 35 ²⁾ | 80 | 95 | 130 | 195 | 290 | 440 |
| 50 ³⁾ | - | 95 | 130 | 195 | 290 | 440 |
| 65 | - | - | 130 | 195 | 290 | 440 |
| 70 | - | - | 130 | 195 ⁴⁾ | 290 | 440 ⁴⁾ |

- 1) The following applies for installations with overvoltage protection in conjunction with temperature class T5, T6 and approval options BA, BB, BD, BH, BJ, B2, IA, IB, ID, IH, IJ, I4, C2: $T_a = T_m - 2\text{ °C}$
- 2) $T_a = 40\text{ °C}$ for pulse/frequency/switch output $P_i = 0.85\text{ W}$
- 3) $T_a = 55\text{ °C}$ for pulse/frequency/switch output $P_i = 0.85\text{ W}$
- 4) $T_a = 70\text{ °C}$ for pulse/frequency/switch output $P_i = 0.85\text{ W}$

US units

| Version with max. $T_m = 824\text{ °F}$ | | | | | | |
|---|----------------|----------------|----------------|-------------------|----------------|-------------------|
| $T_a^{1)}$ [°F] | T6 [185 °F] | T5 [212 °F] | T4 [275 °F] | T3 [392 °F] | T2 [572 °F] | T1 [842 °F] |
| 95 ²⁾ | 176 | 203 | 266 | 383 | 554 | 824 |
| 122 ³⁾ | - | 203 | 266 | 383 | 554 | 824 |
| 149 | - | - | 266 | 383 | 554 | 824 |
| 158 | - | - | 266 | 383 ⁴⁾ | 554 | 824 ⁴⁾ |

- 1) The following applies to installations with overvoltage protection in conjunction with temperature class T5, T6 and approval options BA, BB, BD, BH, BJ, B2, IA, IB, ID, IH, IJ, I4, C2: $T_a = T_m - 35.6\text{ °F}$
- 2) $T_a = 104\text{ °F}$ for pulse/frequency/switch output $P_i = 0.85\text{ W}$
- 3) $T_a = 131\text{ °F}$ for pulse/frequency/switch output $P_i = 0.85\text{ W}$
- 4) $T_a = 158\text{ °F}$ for pulse/frequency/switch output $P_i = 0.85\text{ W}$

Order code for "Approval", options BC, BG, BK, B3, IC, IG, IK, I5, C3

- Ex d, Ex nA, Ex tb
- $cCSA_{US}$ XP

SI units

| Version with max. $T_m = 440\text{ °C}$ | | | | | | |
|---|---------------|----------------|----------------|-------------------|-------------------|-------------------|
| T_a [°C] | T6 [85 °C] | T5 [100 °C] | T4 [135 °C] | T3 [200 °C] | T2 [300 °C] | T1 [450 °C] |
| 40 | 80 | 95 | 130 | 195 | 290 | 440 |
| 55 | - | 95 | 130 | 195 | 290 | 440 |
| 65 | - | - | 130 | 195 | 290 | 440 |
| 70 | - | - | 130 | 195 ¹⁾ | 290 ¹⁾ | 440 ¹⁾ |

1) $T_a = 70\text{ °C}$ for pulse/frequency/switch output $P_i = 0.85\text{ W}$

US units

| Version with max. $T_m = 824\text{ °F}$ | | | | | | |
|---|----------------|----------------|----------------|-------------------|-------------------|-------------------|
| T_a [°F] | T6 [185 °F] | T5 [212 °F] | T4 [275 °F] | T3 [392 °F] | T2 [572 °F] | T1 [842 °F] |
| 104 | 176 | 203 | 266 | 383 | 554 | 824 |
| 131 | - | 203 | 266 | 383 | 554 | 824 |
| 149 | - | - | 266 | 383 | 554 | 824 |
| 158 | - | - | 266 | 383 ¹⁾ | 554 ¹⁾ | 824 ¹⁾ |

1) $T_a = 158\text{ °F}$ for pulse/frequency/switch output $P_i = 0.85\text{ W}$

Order code for "Output", option C "4-20mA HART, 4-20mA analog"

Order code for "Approval", all options

- Ex d, Ex ia, Ex ic, Ex nA, Ex tb
- cCSA_{US} IS, cCSA_{US} XP, cCSA_{US} NI

SI units

| Version with max. $T_m = 440\text{ °C}$ | | | | | | |
|---|---------------|----------------|----------------|-------------------|-------------------|-------------------|
| T_a ¹⁾ [°C] | T6 [85 °C] | T5 [100 °C] | T4 [135 °C] | T3 [200 °C] | T2 [300 °C] | T1 [450 °C] |
| 40 | 80 | 95 | 130 | 195 | 290 | 440 |
| 55 | - | 95 | 130 | 195 | 290 | 440 |
| 65 | - | - | 130 | 195 | 290 | 440 |
| 70 | - | - | 130 | 195 ²⁾ | 290 ²⁾ | 440 ²⁾ |

1) The following applies for installations with overvoltage protection in conjunction with temperature class T5, T6 and approval options BA, BB, BD, BH, BJ, B2, IA, IB, ID, IH, IJ, I4, C2: $T_a = T_a - 2\text{ °C}$

2) $T_a = 70\text{ °C}$ for pulse/frequency/switch output $P_i = 0\text{ W}$

US units

| Version with max. $T_m = 824\text{ °F}$ | | | | | | |
|---|----------------|----------------|----------------|----------------|----------------|----------------|
| T_a ¹⁾ [°F] | T6 [185 °F] | T5 [212 °F] | T4 [275 °F] | T3 [392 °F] | T2 [572 °F] | T1 [842 °F] |
| 104 | 176 | 203 | 266 | 383 | 554 | 824 |
| 131 | - | 203 | 266 | 383 | 554 | 824 |

| Version with max. $T_m = 824\text{ °F}$ | | | | | | |
|---|----------------|----------------|----------------|-------------------|-------------------|-------------------|
| $T_a^{1)}$ [°F] | T6 [185 °F] | T5 [212 °F] | T4 [275 °F] | T3 [392 °F] | T2 [572 °F] | T1 [842 °F] |
| 149 | - | - | 266 | 383 | 554 | 824 |
| 158 | - | - | 266 | 383 ²⁾ | 554 ²⁾ | 824 ²⁾ |

- 1) The following applies to installations with overvoltage protection in conjunction with temperature class T5, T6 and approval options BA, BB, BD, BH, BJ, B2, IA, IB, ID, IH, IJ, I4, C2: $T_a = T_a - 35.6\text{ °F}$
- 2) $T_a = 158\text{ °F}$ for pulse/frequency/switch output $P_1 = 0\text{ W}$

Order code for "Output", option D "4-20 mA HART, PFS output; 4-20 mA input"

Order code for "Approval", all options

- Ex d, Ex ia, Ex ic, Ex nA, Ex tb
- cCSA_{US} IS, cCSA_{US} XP, cCSA_{US} NI

SI units

| Version with max. $T_m = 440\text{ °C}$ | | | | | | |
|---|---------------|----------------|----------------|----------------|----------------|----------------|
| $T_a^{1)}$ [°C] | T6 [85 °C] | T5 [100 °C] | T4 [135 °C] | T3 [200 °C] | T2 [300 °C] | T1 [450 °C] |
| 35 | 80 | 95 | 130 | 195 | 290 | 440 |
| 50 | - | 95 | 130 | 195 | 290 | 440 |
| 55 | - | - | - | 195 | 290 | 440 |
| 60 | - | - | - | 195 | 290 | 440 |
| 65 | - | - | - | - | 290 | - |

- 1) The following applies for installations with overvoltage protection in conjunction with temperature class T5, T6 and approval options BA, BB, BD, BH, BJ, B2, IA, IB, ID, IH, IJ, I4, C2: $T_a = T_a - 2\text{ °C}$

US units

| Version with max. $T_m = 824\text{ °F}$ | | | | | | |
|---|----------------|----------------|----------------|----------------|----------------|----------------|
| $T_a^{1)}$ [°F] | T6 [185 °F] | T5 [212 °F] | T4 [275 °F] | T3 [392 °F] | T2 [572 °F] | T1 [842 °F] |
| 95 | 176 | 203 | 266 | 383 | 554 | 824 |
| 122 | - | 203 | 266 | 383 | 554 | 824 |
| 131 | - | - | - | 383 | 554 | 824 |
| 140 | - | - | - | 383 | 554 | 824 |
| 149 | - | - | - | - | 554 | - |

- 1) The following applies to installations with overvoltage protection in conjunction with temperature class T5, T6 and approval options BA, BB, BD, BH, BJ, B2, IA, IB, ID, IH, IJ, I4, C2: $T_a = T_a - 35.6\text{ °F}$

Order code for "Output", option E "FOUNDATION Fieldbus, pulse/frequency/switch output" and option G "PROFIBUS PA, pulse/frequency/switch output"

Order code for "Approval", all options

- Ex d, Ex ia, Ex ic, Ex nA, Ex tb
- cCSA_{US} IS, cCSA_{US} XP, cCSA_{US} NI

SI units

| Version with max. $T_m = 440\text{ °C}$ | | | | | | |
|---|---------------|----------------|----------------|-------------------|-------------------|-------------------|
| T_a ¹⁾ [°C] | T6 [85 °C] | T5 [100 °C] | T4 [135 °C] | T3 [200 °C] | T2 [300 °C] | T1 [450 °C] |
| 40 | 80 | 95 | 130 | 195 | 290 | 440 |
| 50 ²⁾ | - | 95 | 130 | 195 | 290 | 440 |
| 65 | - | - | 130 | 195 | 290 | 440 |
| 70 | - | - | 130 | 195 ³⁾ | 290 ³⁾ | 440 ³⁾ |

- 1) The following applies for installations with overvoltage protection in conjunction with temperature class T5, T6 and approval options BA, BB, BD, BH, BJ, B2, IA, IB, ID, IH, IJ, I4, C2: $T_a = T_a - 2\text{ °C}$
- 2) $T_a = 60\text{ °C}$ for pulse/frequency/switch output $P_1 = 0\text{ W}$
- 3) $T_a = 70\text{ °C}$ for pulse/frequency/switch output $P_1 = 0\text{ W}$

US units

| Version with max. $T_m = 824\text{ °F}$ | | | | | | |
|---|----------------|----------------|----------------|-------------------|-------------------|-------------------|
| T_a ¹⁾ [°F] | T6 [185 °F] | T5 [212 °F] | T4 [275 °F] | T3 [392 °F] | T2 [572 °F] | T1 [842 °F] |
| 104 | 176 | 203 | 266 | 383 | 554 | 824 |
| 122 ²⁾ | - | 203 | 266 | 383 | 554 | 824 |
| 149 | - | - | 266 | 383 | 554 | 824 |
| 158 | - | - | 266 | 383 ³⁾ | 554 ³⁾ | 824 ³⁾ |

- 1) The following applies to installations with overvoltage protection in conjunction with temperature class T5, T6 and approval options BA, BB, BD, BH, BJ, B2, IA, IB, ID, IH, IJ, I4, C2: $T_a = T_a - 35.6\text{ °F}$
- 2) $T_a = 140\text{ °F}$ for pulse/frequency/switch output $P_1 = 0\text{ W}$
- 3) $T_a = 158\text{ °F}$ for pulse/frequency/switch output $P_1 = 0\text{ W}$

Remote version

Transmitter

Order code for "Housing", option J "GT20 two-chamber, remote G314, aluminum coated"; option K "GT20 two-chamber, remote G315, 316L"

SI units

| Order code for "Output", option | Order code for "Approval", option | T6 [85 °C] | T5 [100 °C] | T4 [135 °C] |
|---------------------------------|--|------------------|------------------|------------------|
| A | All | 40 | 60 | 75 |
| B | BA, BB, BD, BH, BJ, B2, IA, IB, ID, IH, IJ, I4, C2 | 35 ¹⁾ | 50 ²⁾ | 70 ³⁾ |
| | BC, BG, BK, B3, IC, IG, IK, I5, C3 | 40 | 55 | 70 ³⁾ |
| C | All | 40 | 55 | 70 ⁴⁾ |
| D | All | 35 ⁵⁾ | 50 ⁵⁾ | 65 |
| E G | All | 40 | 55 | 70 ⁴⁾ |

- 1) $T_a = 40\text{ °C}$ for pulse/frequency/switch output $P_1 = 0.85\text{ W}$
- 2) $T_a = 60\text{ °C}$ for pulse/frequency/switch output $P_1 = 0.85\text{ W}$
- 3) $T_a = 75\text{ °C}$ for pulse/frequency/switch output $P_1 = 0.85\text{ W}$
- 4) $T_a = 75\text{ °C}$ for pulse/frequency/switch output $P_1 = 0\text{ W}$
- 5) The following applies to installations with overvoltage protection in conjunction with temperature class T5, T6 and approval options BA, BB, BD, BH, BJ, B2, IA, IB, ID, IH, IJ, I4, C2: $T_a = T_a - 2\text{ °C}$

US units

| Order code for "Output", option | Order code for "Approval", option | T6 [185 °F] | T5 [212 °F] | T4 [275 °F] |
|---------------------------------|--|------------------|-------------------|-------------------|
| A | All | 104 | 140 | 167 |
| B | BA, BB, BD, BH, BJ, B2, IA, IB, ID, IH, IJ, I4, C2 | 95 ¹⁾ | 122 ²⁾ | 158 ³⁾ |
| | BC, BG, BK, B3, IC, IG, IK, I5, C3 | 104 | 131 | 158 ³⁾ |
| C | All | 104 | 131 | 158 ⁴⁾ |
| D | All | 95 ⁵⁾ | 122 ⁵⁾ | 149 |
| E G | All | 104 | 131 | 158 ⁴⁾ |

- 1) $T_a = 104$ °F for pulse/frequency/switch output $P_1 = 0.85$ W
- 2) $T_a = 140$ °F for pulse/frequency/switch output $P_1 = 0.85$ W
- 3) $T_a = 167$ °F for pulse/frequency/switch output $P_1 = 0.85$ W
- 4) $T_a = 167$ °F for pulse/frequency/switch output $P_1 = 0$ W
- 5) The following applies to installations with overvoltage protection in conjunction with temperature class T5, T6 and approval options BA, BB, BD, BH, BJ, B2, IA, IB, ID, IH, IJ, I4, C2: $T_a = T_m - 35.6$ °F

Sensor

Order code for "Sensor version", option 1 "Volume flow, basis", option 3 "Mass flow (integrated temperature measurement)"

Order code for "Sensor version", option 2 "Volume flow, high-temperature/low-temperature"

 The following temperature tables apply to the low-temperature version →  54.

SI units

| Version with max. $T_m = 280$ °C | | | | | | |
|----------------------------------|---------------|----------------|----------------|----------------|----------------|----------------|
| T_a [°C] | T6 [85 °C] | T5 [100 °C] | T4 [135 °C] | T3 [200 °C] | T2 [300 °C] | T1 [450 °C] |
| 55 | 80 | 95 | 130 | 195 | 280 | - |
| 70 | - | 95 | 130 | 195 | 280 | - |
| 85 | - | - | 130 | 195 | 280 | - |

US units

| Version with max. $T_m = 536$ °F | | | | | | |
|----------------------------------|----------------|----------------|----------------|----------------|----------------|----------------|
| T_a [°F] | T6 [185 °F] | T5 [212 °F] | T4 [275 °F] | T3 [392 °F] | T2 [572 °F] | T1 [842 °F] |
| 104 | 176 | 203 | 266 | 383 | 536 | - |
| 122 | - | 203 | 266 | 383 | 536 | - |
| 149 | - | - | 266 | 383 | 536 | - |

High-temperature version

Order code for "Sensor version", option 2 "Volume flow, high-temperature/low-temperature"

 The following temperature tables apply to the high-temperature version →  55.

SI units

| Version with max. $T_m = 440\text{ °C}$ | | | | | | |
|---|---------------|----------------|----------------|----------------|----------------|----------------|
| T_a [°C] | T6 [85 °C] | T5 [100 °C] | T4 [135 °C] | T3 [200 °C] | T2 [300 °C] | T1 [450 °C] |
| 55 | 80 | 95 | 130 | 195 | 290 | 440 |
| 70 | - | 95 | 130 | 195 | 290 | 440 |
| 85 | - | - | 130 | 195 | 290 | 440 |

US units

| Version with max. $T_m = 824\text{ °F}$ | | | | | | |
|---|----------------|----------------|----------------|----------------|----------------|----------------|
| T_a [°F] | T6 [185 °F] | T5 [212 °F] | T4 [275 °F] | T3 [392 °F] | T2 [572 °F] | T1 [842 °F] |
| 131 | 176 | 203 | 266 | 383 | 554 | 824 |
| 158 | - | 203 | 266 | 383 | 554 | 824 |
| 185 | - | - | 266 | 383 | 554 | 824 |

Storage temperature All components apart from the display modules:
-50 to +80 °C (-58 to +176 °F)

Remote display and operating module DKX001
-50 to +80 °C (-58 to +176 °F)

Climate class DIN EN 60068-2-38 (test Z/AD)

Degree of protection

Transmitter

- As standard: IP66/67, type 4X enclosure
- When housing is open: IP20, type 1 enclosure
- Display module: IP20, type 1 enclosure


Sensor
IP66/67, type 4X enclosure

Device plugs
IP67, only in screwed situation

Vibration resistance

- For compact/remote version made of coated aluminum and remote version made of stainless steel: Acceleration up to 2 g (if gain set to factory setting), 10 to 500 Hz, following IEC 60068-2-6
- For the compact version made of stainless steel: Acceleration up to 1 g (if gain set to factory setting), 10 to 500 Hz, following IEC 60068-2-6

Electromagnetic compatibility (EMC) As per IEC/EN 61326 and NAMUR Recommendation 2.1 (NE 2.1)

 For details, refer to the Declaration of Conformity.

Process

Medium temperature range

DSC sensor⁶⁾

Order code for "Sensor version":

- *Option 1 "Volume flow, basis"*:
-40 to +260 °C (-40 to +500 °F), stainless steel
- *Option 2 "Volume flow, high-temperature/low-temperature"*:
-200 to +400 °C (-328 to +752 °F), stainless steel
- *Option 3 "Mass flow (integrated temperature measurement)"*:
-200 to +400 °C (-328 to +752 °F), stainless steel

Order code for "Sensor option":

- *Option CD "Harsh environment"⁷⁾, DSC sensor components Alloy C22*:
-200 to +400 °C (-328 to +752 °F), DSC sensor Alloy C22
- *Option CE "Harsh process"⁸⁾, wetted parts Alloy C22, (including option CD)*:
-40 to +260 °C (-40 to +500 °F), sensor and DSC sensor Alloy C22

Seals

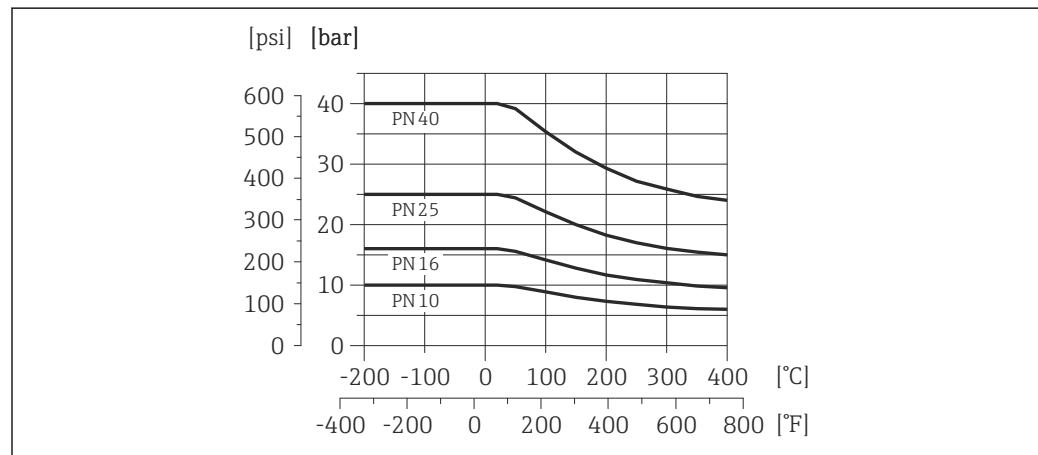
- -200 to +400 °C (-328 to +752 °F) for graphite (standard)
- -15 to +175 °C (+5 to +347 °F) for Viton
- -20 to +275 °C (-4 to +527 °F) for Kalrez
- -200 to +260 °C (-328 to +500 °F) for Gylon

Pressure-temperature ratings

The following pressure-temperature ratings refer to the entire device and not just the process connection.

The pressure-temperature rating for the specific measuring device is programmed into the software. If values exceed the curve range a warning is displayed. Depending on the system configuration and sensor version, the pressure and temperature are determined by entering, reading in or calculating values.

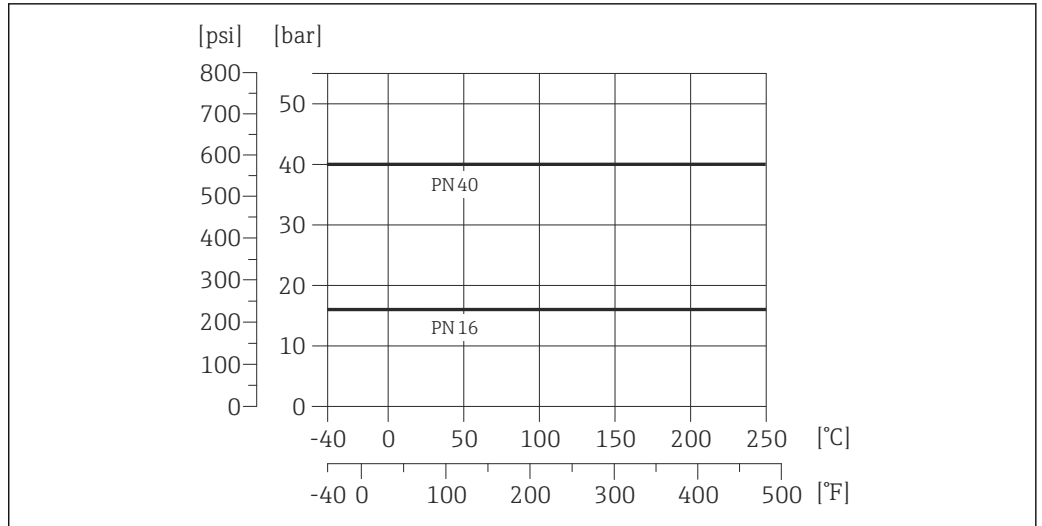
Process connection: flange to EN 1092-1 (DIN 2501)



A0020879-EN

16 Process connection material: stainless steel, multiple certifications, 1.4404 (F316, F316L)

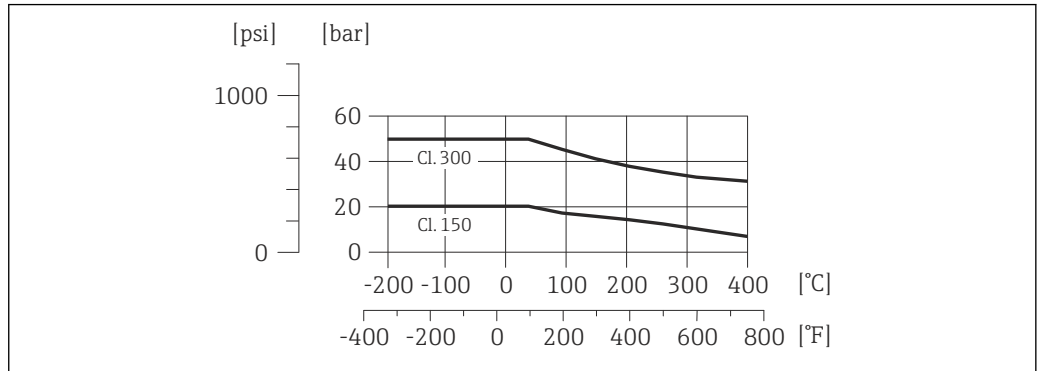
6) Capacitance sensor
 7) Aggressive atmosphere (salts or chloride in the air)
 8) Aggressive medium (risk of corrosion due to chloride, for example)



A0020875-EN

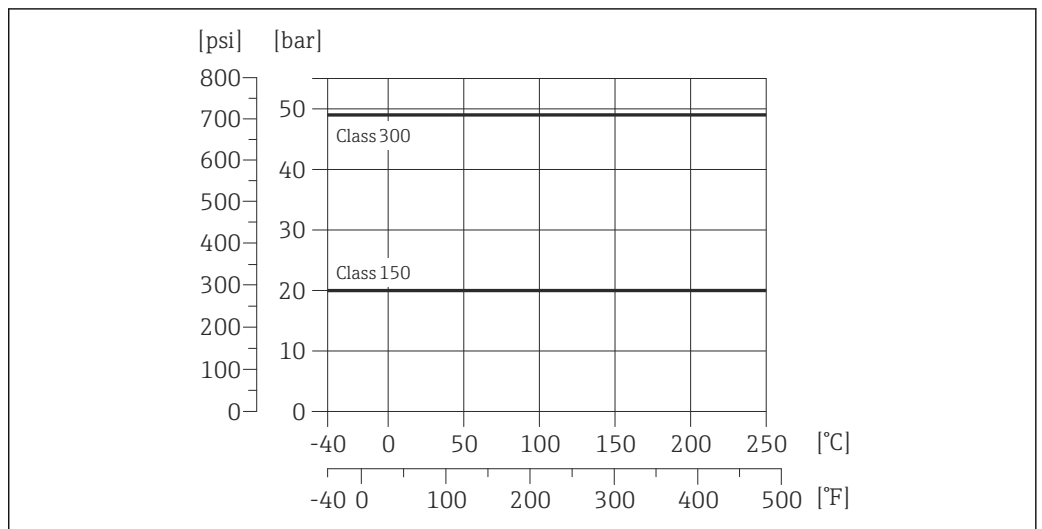
17 Process connection material: cast alloy CX2MW similar to Alloy C22/2.4602

Process connection: flange to ASME B16.5



A0020880-EN

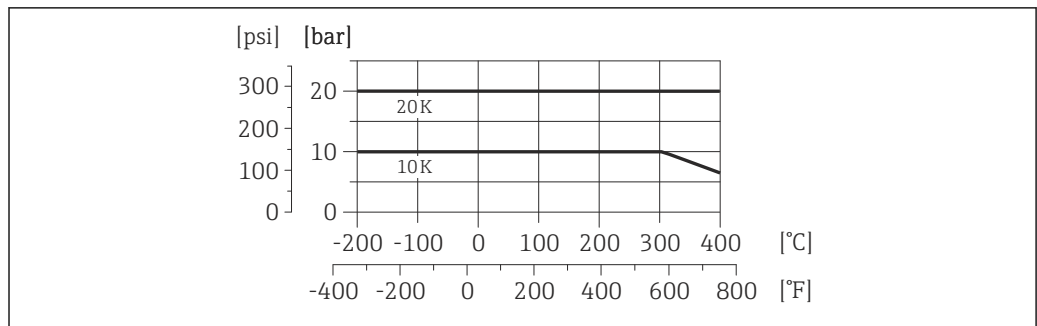
18 Process connection material: stainless steel, multiple certifications, 1.4404 (F316, F316L)



A0020876-EN

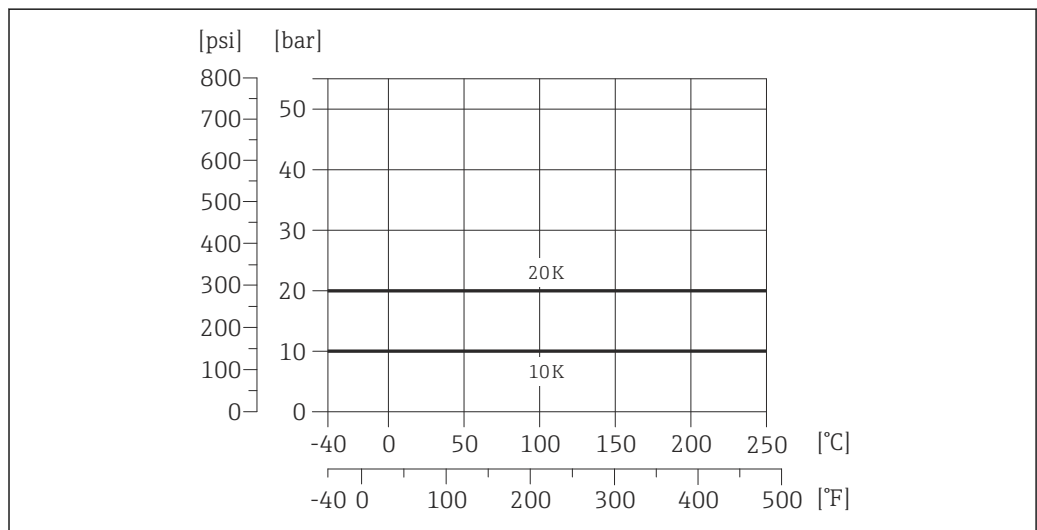
19 Process connection material: cast alloy CX2MW similar to Alloy C22/2.4602

Process connection: flange to JIS B2220



A0020881-EN

20 Process connection material: stainless steel, multiple certifications, 1.4404 (F316, F316L)



A0020877-EN

21 Process connection material: cast alloy CX2MW similar to Alloy C22/2.4602

Secondary containment pressure rating

The following overpressure resistance values apply to the sensor shaft in the event of a membrane rupture:

| Sensor version | Overpressure, sensor shaft in [bar a] |
|--|---------------------------------------|
| Volume flow, basis | 200 |
| Volume flow, high-temperature/low-temperature | 200 |
| Mass flow (integrated temperature measurement) | 200 |

Pressure loss

For a precise calculation, use the Applicator → 94.

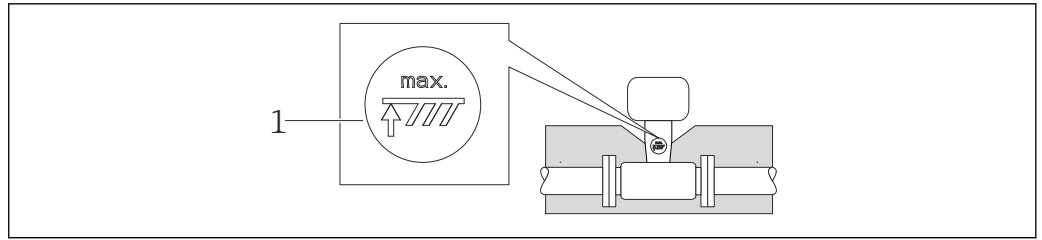
Thermal insulation

For optimum temperature measurement and mass calculation, heat transfer at the sensor must be avoided for some fluids. This can be ensured by installing thermal insulation. A wide range of materials can be used for the required insulation.

This applies for:

- Compact version
- Remote sensor version

The maximum insulation height permitted is illustrated in the diagram:



A0019212

1 Maximum insulation height

► When insulating, ensure that a sufficiently large area of the housing support remains exposed. The uncovered part serves as a radiator and protects the electronics from overheating and excessive cooling.

Vibrations

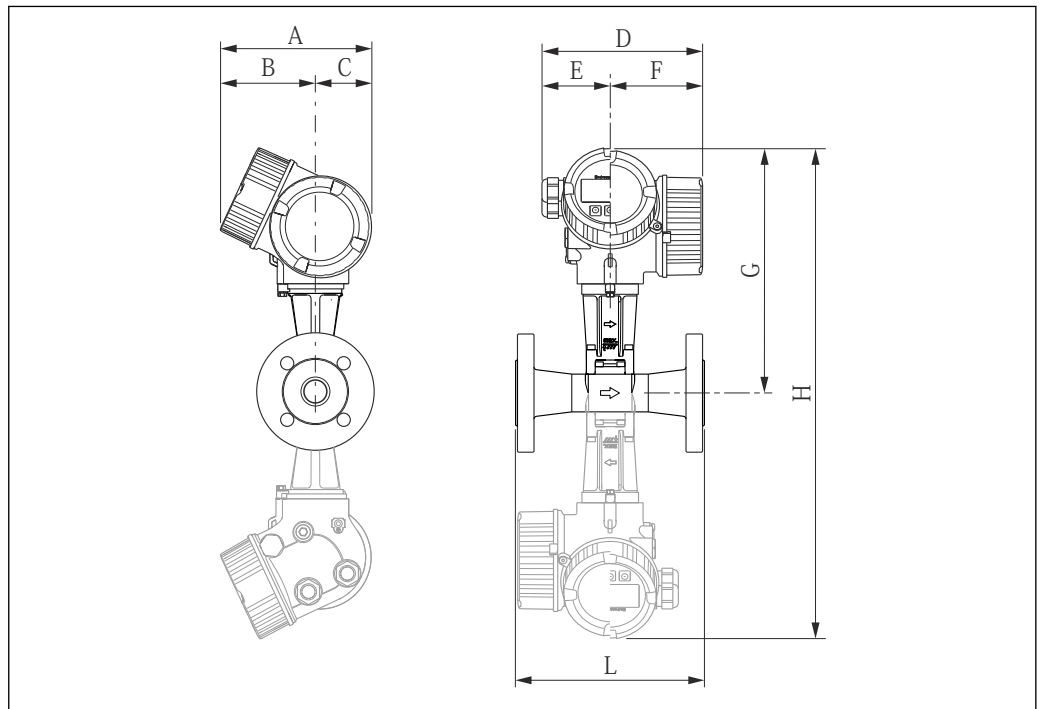
The correct operation of the measuring system is not affected by plant vibrations up to 1 g, 10 to 500 Hz. Therefore no special measures are needed to secure the sensors.

Mechanical construction

Dimensions in SI units

Compact version

Order code for "Housing", option B "GT18 two-chamber, 316L"; option C "GT20 two-chamber, aluminum, coated"



A0019267

22 Gray broken line: Dualsens version

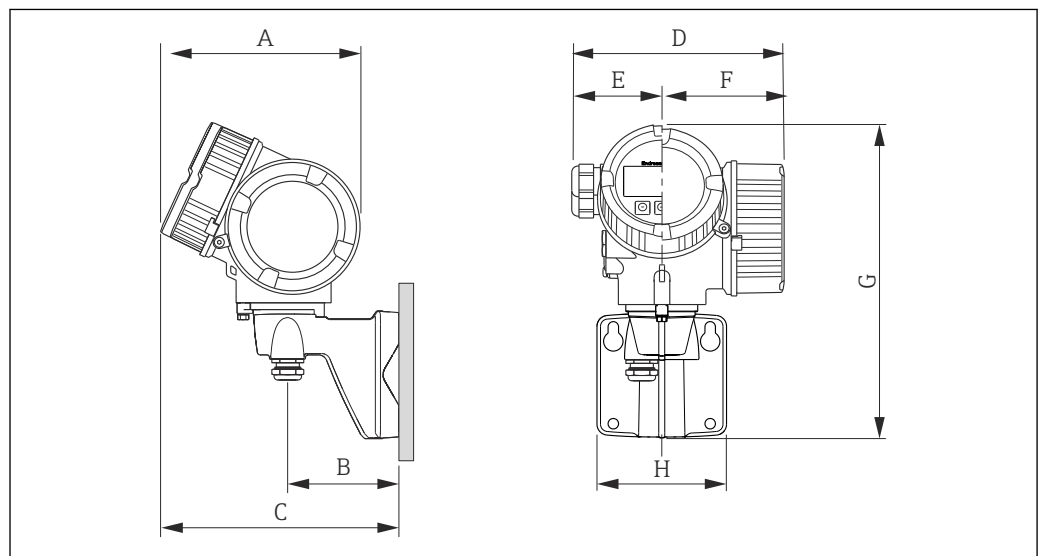
| DN [mm] | A [mm] | B ¹⁾ [mm] | C [mm] | D ²⁾ [mm] | E [mm] | F ²⁾ [mm] | G ^{3) 4)} [mm] | H ^{5) 6)} [mm] | L [mm] |
|------------|-----------|-------------------------|-----------|-------------------------|-----------|-------------------------|----------------------------|----------------------------|---------------|
| 15 | 162 | 102 | 60 | 165 | 75 | 90 | 254.0 | ⁷⁾ | ⁸⁾ |
| 25 | 162 | 102 | 60 | 165 | 75 | 90 | 260.4 | ⁷⁾ | ⁸⁾ |
| 40 | 162 | 102 | 60 | 165 | 75 | 90 | 268.5 | 537.0 | ⁸⁾ |

| DN | A | B ¹⁾ | C | D ²⁾ | E | F ²⁾ | G ^{3) 4)} | H ^{5) 6)} | L |
|------|------|-----------------|------|-----------------|------|-----------------|--------------------|--------------------|---------------|
| [mm] | [mm] | [mm] | [mm] | [mm] | [mm] | [mm] | [mm] | [mm] | [mm] |
| 50 | 162 | 102 | 60 | 165 | 75 | 90 | 275.3 | 550.6 | ⁸⁾ |
| 80 | 162 | 102 | 60 | 165 | 75 | 90 | 288.2 | 576.4 | ⁸⁾ |
| 100 | 162 | 102 | 60 | 165 | 75 | 90 | 300.1 | 600.2 | ⁸⁾ |
| 150 | 162 | 102 | 60 | 165 | 75 | 90 | 324.8 | 649.6 | ⁸⁾ |
| 200 | 162 | 102 | 60 | 165 | 75 | 90 | 353.4 | 706.8 | ⁸⁾ |
| 250 | 162 | 102 | 60 | 165 | 75 | 90 | 379.3 | 758.6 | ⁸⁾ |
| 300 | 162 | 102 | 60 | 165 | 75 | 90 | 404.4 | 808.8 | ⁸⁾ |

- 1) For version without local display: values - 7 mm
- 2) For version with overvoltage protection: values + 8 mm
- 3) For version without local display: values - 10 mm
- 4) For high-temperature/low-temperature version: values + 29 mm
- 5) For version without local display: values - 20 mm
- 6) For high-temperature/low-temperature version: values + 58 mm
- 7) Not available as a Dualsens version
- 8) dependent on respective process connection

Transmitter remote version

Order code for "Housing", option J "GT20, remote, aluminum coated"; option K "GT18 remote, 316L"



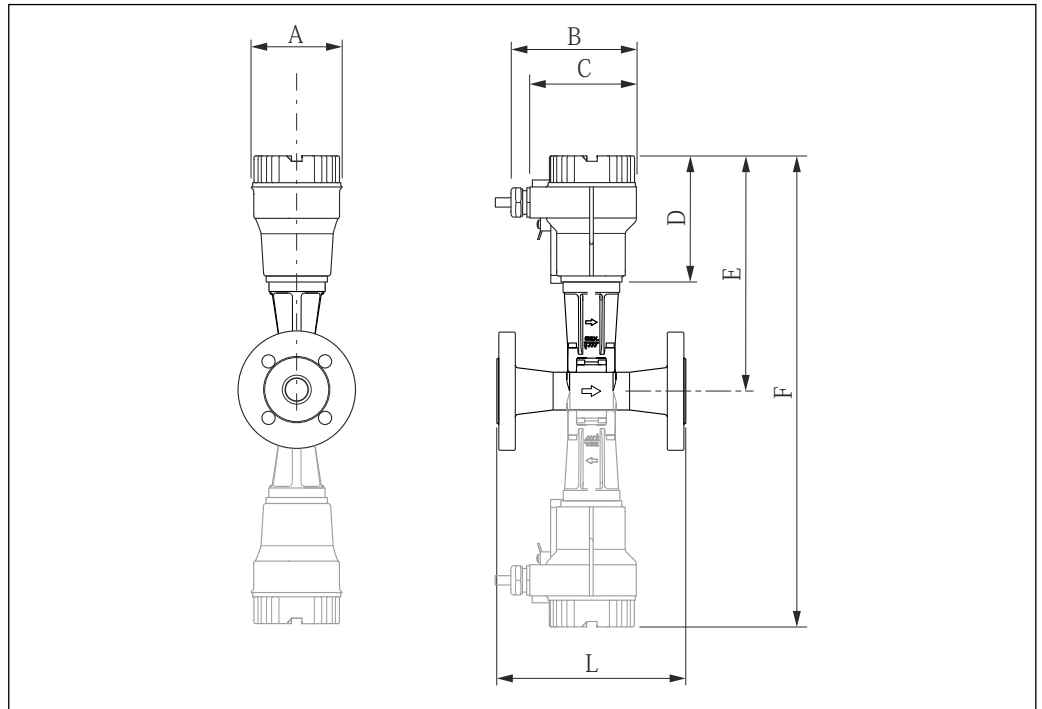
A0020089

| A ¹⁾ | B | C ¹⁾ | D ²⁾ | E | F ²⁾ | G ³⁾ | H |
|-----------------|------|-----------------|-----------------|------|-----------------|-----------------|------|
| [mm] | [mm] | [mm] | [mm] | [mm] | [mm] | [mm] | [mm] |
| 162 | 90 | 191 | 165 | 75 | 90 | 254 | 107 |

- 1) For device version without local display: value - 7 mm
- 2) For device version with overvoltage protection (OVP): value + 8 mm
- 3) For device version without local operation: value - 10 mm

Sensor remote version

Order code for "Housing", option J "GT20, remote, aluminum, coated"; option K "GT18, remote, 316L"



A0019336

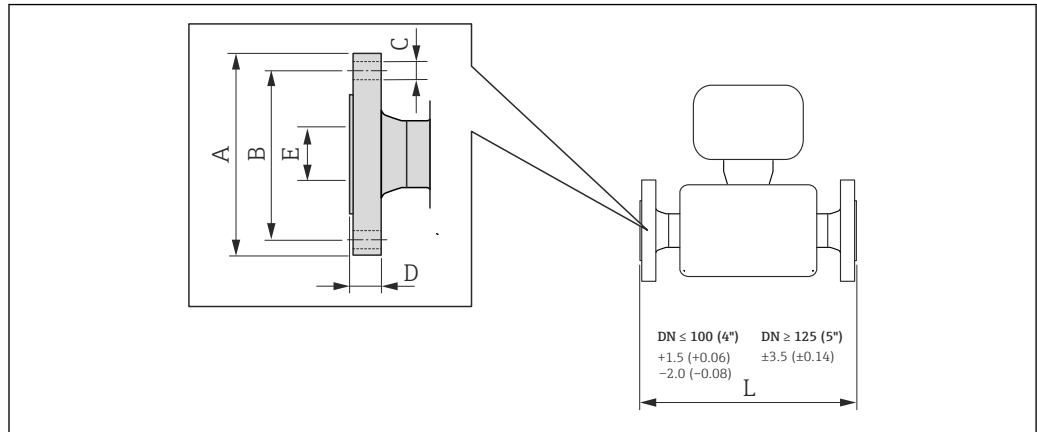
23 Gray broken line: Dualsens version

| DN [mm] | A [mm] | B [mm] | C [mm] | D [mm] | E ¹⁾ [mm] | F ²⁾ [mm] | L [mm] |
|------------|-----------|-----------|-----------|-----------|-------------------------|-------------------------|-----------|
| 15 | 94.3 | 134.3 | 107.3 | 115.8 | 224.3 | 3) | 4) |
| 25 | 94.3 | 134.3 | 107.3 | 115.8 | 230.7 | 3) | 4) |
| 40 | 94.3 | 134.3 | 107.3 | 115.8 | 238.8 | 477.6 | 4) |
| 50 | 94.3 | 134.3 | 107.3 | 115.8 | 245.6 | 491.2 | 4) |
| 80 | 94.3 | 134.3 | 107.3 | 115.8 | 258.5 | 517.0 | 4) |
| 100 | 94.3 | 134.3 | 107.3 | 115.8 | 270.4 | 540.8 | 4) |
| 150 | 94.3 | 134.3 | 107.3 | 115.8 | 295.1 | 590.2 | 4) |
| 200 | 94.3 | 134.3 | 107.3 | 115.8 | 323.7 | 647.4 | 4) |
| 250 | 94.3 | 134.3 | 107.3 | 115.8 | 349.6 | 699.2 | 4) |
| 300 | 94.3 | 134.3 | 107.3 | 115.8 | 374.7 | 749.4 | 4) |

- 1) For high-temperature/low-temperature version: values + 29 mm
- 2) For high-temperature/low-temperature version: values + 58 mm
- 3) Not available as a Dualsens version
- 4) dependent on respective process connection

Flange connections

Fixed flange



A0015621

24 Engineering unit mm (in)

| Fixed flange according to EN 1092-1 (DIN 2501): PN 10 1.4408 Order code for "Process connection", option DDS | | | | | | |
|--|--------|--------|----------|--------|--------|----------------------|
| DN [mm] | A [mm] | B [mm] | ∅ C [mm] | D [mm] | E [mm] | L ¹⁾ [mm] |
| 200 | 340 | 295 | 8 × 22 | 42 | 207.3 | 300 |
| 250 | 395 | 350 | 12 × 22 | 48 | 260.4 | 380 |
| 300 | 445 | 400 | 12 × 22 | 51 | 309.7 | 450 |

Raised face according to EN 1092-1 Form B1 (DIN 2526 Form C): Ra 6.3 to 12.5 µm

- 1) Available in compliance with ISO 13359 on request: for DN 200 to 300 (350 mm for DN 200, 450 mm for DN 250, 500 mm for DN 300).

| Fixed flange according to EN 1092-1 (DIN 2501): PN 16 1.4404/CX2MW ¹⁾ or 1.4408 ²⁾ Order code for "Process connection", option D1S | | | | | | |
|--|--------|--------|----------|--------|--------|-------------------------|
| DN [mm] | A [mm] | B [mm] | ∅ C [mm] | D [mm] | E [mm] | L ^{3) 4)} [mm] |
| 100 | 220 | 180 | 8 × 18 | 20 | 107.1 | 250 |
| 150 | 285 | 240 | 8 × 22 | 22 | 159.3 | 300 |
| 200 | 340 | 295 | 12 × 22 | 42 | 207.3 | 300 |
| 250 | 405 | 355 | 12 × 26 | 48 | 260.4 | 380 |
| 300 | 460 | 410 | 12 × 26 | 51 | 309.7 | 450 |

Raised face according to EN 1092-1 Form B1 (DIN 2526 Form C): Ra 6.3 to 12.5 µm

- 1) DN 15 to 150
 2) DN 200 to 300
 3) In compliance with ISO 13359 for DN 15 to 150.
 4) Available in compliance with ISO 13359 on request: for DN 200 to 300 (350 mm for DN 200, 450 mm for DN 250, 500 mm for DN 300).

| Fixed flange according to EN 1092-1 (DIN 2501): PN 16 with groove 1.4404/CX2MW Order code for "Process connection", option D5S | | | | | | |
|--|-----------|-----------|-------------|-----------|-----------|-------------------------|
| DN [mm] | A [mm] | B [mm] | ∅ C [mm] | D [mm] | E [mm] | L ¹⁾ [mm] |
| 100 | 220 | 180 | 8 × 18 | 20 | 107.1 | 250 |
| 150 | 285 | 240 | 8 × 22 | 22 | 159.3 | 300 |
| Raised face according to EN 1091-1 Form D (DIN 2512 Form N): Ra 6.3 to 12.5 µm | | | | | | |

- 1) In compliance with ISO 13359 for DN 15 to 150.

| Fixed flange according to EN 1092-1 (DIN 2501): PN 25 1.4408 Order code for "Process connection", option DES | | | | | | |
|--|-----------|-----------|-------------|-----------|-----------|-------------------------|
| DN [mm] | A [mm] | B [mm] | ∅ C [mm] | D [mm] | E [mm] | L ¹⁾ [mm] |
| 200 | 360 | 310.0 | 12 × 26 | 42 | 206.5 | 300 |
| 250 | 425 | 370 | 12 × 30 | 48 | 258.8 | 380 |
| 300 | 485 | 430 | 16 × 30 | 51 | 307.9 | 450 |
| Raised face according to EN 1092-1 Form B1 (DIN 2526 Form C): Ra 6.3 to 12.5 µm | | | | | | |

- 1) Available in compliance with ISO 13359 on request: for DN 200 to 300 (for DN 200: 350 mm; for DN 250: 450 mm; for DN 300: 500 mm).

| Fixed flange according to EN 1092-1 (DIN 2501): PN 40 1.4404/CX2MW ¹⁾ or 1.4408 ²⁾ Order code for "Process connection", option D2S | | | | | | |
|--|-----------|-----------|-------------|-----------|-----------|----------------------------|
| DN [mm] | A [mm] | B [mm] | ∅ C [mm] | D [mm] | E [mm] | L ^{3) 4)} [mm] |
| 15 ⁵⁾ | 95 | 65 | 4 × 14 | 16 | 17.3 | 200 |
| 25 ⁵⁾ | 115 | 85 | 4 × 14 | 18 | 28.5 | 200 |
| 40 | 150 | 110 | 4 × 18 | 18 | 43.1 | 200 |
| 50 | 165 | 125 | 4 × 18 | 20 | 54.4 | 200 |
| 80 | 200 | 160 | 8 × 18 | 24 | 82.5 | 200 |
| 100 | 235 | 190 | 8 × 22 | 24 | 107.1 | 250 |
| 150 | 300 | 250 | 8 × 26 | 28 | 159.3 | 300 |
| 200 | 375 | 320.0 | 12 × 30 | 42 | 206.5 | 300 |
| 250 | 450 | 385 | 12 × 33 | 48 | 258.8 | 380 |
| 300 | 515 | 450 | 16 × 33 | 51 | 307.9 | 450 |
| Raised face according to EN 1092-1 Form B1 (DIN 2526 Form C): Ra 6.3 to 12.5 µm | | | | | | |

- 1) DN 15 to 150
 2) DN 200 to 300
 3) In compliance with ISO 13359 for DN 15 to 150.
 4) Available in compliance with ISO 13359 on request: for DN 200 to 300 (350 mm for DN 200, 450 mm for DN 250, 500 mm for DN 300).
 5) Not available as a Dualsens version

| Fixed flange according to EN 1092-1 (DIN 2501): PN 40 with groove 1.4404/CX2MW Order code for "Process connection", option D6S | | | | | | |
|--|-----------|-----------|-------------|-----------|-----------|----------------------------|
| DN [mm] | A [mm] | B [mm] | ∅ C [mm] | D [mm] | E [mm] | L ^{1) 2)} [mm] |
| 15 ³⁾ | 95 | 65 | 4 × 14 | 16 | 17.3 | 200 |
| 25 ³⁾ | 115 | 85 | 4 × 14 | 18 | 28.5 | 200 |
| 40 | 150 | 110 | 4 × 18 | 18 | 43.1 | 200 |
| 50 | 165 | 125 | 4 × 18 | 20 | 54.4 | 200 |
| 80 | 200 | 160 | 8 × 18 | 24 | 82.5 | 200 |
| 100 | 235 | 190 | 8 × 22 | 24 | 107.1 | 250 |
| 150 | 300 | 250 | 8 × 26 | 28 | 159.3 | 300 |

Raised face according to EN 1091-1 Form D (DIN 2512 Form N): Ra 6.3 to 12.5 µm

- 1) In compliance with ISO 13359 for DN 15 to 150.
- 2) Available in compliance with ISO 13359 on request: for DN 200 to 300 (350 mm for DN 200, 450 mm for DN 250, 500 mm for DN 300).
- 3) Not available as a Dualsens version

| Fixed flange according to ASME B16.5: Class 150, Schedule 40 1.4404/CX2MW ¹⁾ or 1.4408 ²⁾ Order code for "Process connection", option AAS | | | | | | |
|---|-----------|-----------|-------------|-----------|-----------|-----------|
| DN [mm] | A [mm] | B [mm] | ∅ C [mm] | D [mm] | E [mm] | L [mm] |
| 15 ³⁾ | 88.9 | 60.5 | 4 × 15.7 | 11.2 | 15.7 | 200 |
| 25 ³⁾ | 107.9 | 79.2 | 4 × 15.7 | 15.7 | 26.7 | 200 |
| 40 | 127.0 | 98.6 | 4 × 15.7 | 17.5 | 40.9 | 200 |
| 50 | 152.4 | 120.7 | 4 × 19.1 | 19.1 | 52.6 | 200 |
| 80 | 190.5 | 152.4 | 4 × 19.1 | 23.9 | 78.0 | 200 |
| 100 | 228.6 | 190.5 | 8 × 19.1 | 24.5 | 102.4 | 250 |
| 150 | 279.4 | 241.3 | 8 × 22.4 | 25.4 | 154.2 | 300 |
| 200 | 342.9 | 298.5 | 8 × 22.4 | 42.0 | 202.7 | 300 |
| 250 | 406.4 | 362.0 | 12 × 25.4 | 48.0 | 254.5 | 380 |
| 300 | 482.6 | 431.8 | 12 × 25.4 | 60.0 | 304.8 | 450 |

Surface roughness: Ra 3.2 to 6.3 µm

- 1) DN 15 to 150
- 2) DN 200 to 300
- 3) Not available as a Dualsens version

| Fixed flange according to ASME B16.5: Class 150, Schedule 80 1.4404/CX2MW Order code for "Process connection", option AFS | | | | | | |
|---|-----------|-----------|-------------|-----------|-----------|-----------|
| DN [mm] | A [mm] | B [mm] | ∅ C [mm] | D [mm] | E [mm] | L [mm] |
| 15 ¹⁾ | 88.9 | 60.5 | 4 × 15.7 | 11.2 | 13.9 | 200 |
| 25 | 107.9 | 79.2 | 4 × 15.7 | 15.7 | 24.3 | 200 |
| 40 | 127.0 | 98.6 | 4 × 15.7 | 17.5 | 38.1 | 200 |
| 50 | 152.4 | 120.7 | 4 × 19.1 | 19.1 | 49.2 | 200 |
| 80 | 190.5 | 152.4 | 4 × 19.1 | 23.9 | 73.7 | 200 |

| Fixed flange according to ASME B16.5: Class 150, Schedule 80 1.4404/CX2MW Order code for "Process connection", option AFS | | | | | | |
|---|-----------|-----------|-------------|-----------|-----------|-----------|
| DN [mm] | A [mm] | B [mm] | ∅ C [mm] | D [mm] | E [mm] | L [mm] |
| 100 | 228.6 | 190.5 | 8 × 19.1 | 24.5 | 97.0 | 250 |
| 150 | 279.4 | 241.3 | 8 × 22.4 | 25.4 | 146.3 | 300 |
| Surface roughness: Ra 3.2 to 6.3 µm | | | | | | |

1) Not available as a Dualsens version

| Fixed flange according to ASME B16.5: Class 300, Schedule 40 1.4404/CX2MW ¹⁾ or 1.4408 ²⁾ Order code for "Process connection", option ABS | | | | | | |
|---|-----------|-----------|-------------|-----------|-----------|-----------|
| DN [mm] | A [mm] | B [mm] | ∅ C [mm] | D [mm] | E [mm] | L [mm] |
| 15 ³⁾ | 95.0 | 66.5 | 4 × 15.7 | 14.2 | 15.7 | 200 |
| 25 ³⁾ | 123.8 | 88.9 | 4 × 19.1 | 19.1 | 26.7 | 200 |
| 40 | 155.6 | 114.3 | 4 × 22.4 | 20.6 | 40.9 | 200 |
| 50 | 165.0 | 127.0 | 8 × 19.1 | 22.4 | 52.6 | 200 |
| 80 | 210.0 | 168.1 | 8 × 22.4 | 28.4 | 78.0 | 200 |
| 100 | 254.0 | 200.2 | 8 × 22.4 | 31.8 | 102.4 | 250 |
| 150 | 317.5 | 269.7 | 12 × 22.4 | 36.6 | 152.2 | 300 |
| 200 | 381.0 | 330.2 | 12 × 25.4 | 42.0 | 202.7 | 300 |
| 250 | 444.5 | 387.4 | 16 × 28.4 | 48.0 | 254.5 | 380 |
| 300 | 520.7 | 450.9 | 16 × 31.8 | 50.8 | 304.8 | 450 |
| Surface roughness: Ra 3.2 to 6.3 µm | | | | | | |

- 1) DN 15 to 150
- 2) DN 200 to 300
- 3) Not available as a Dualsens version

| Fixed flange according to ASME B16.5: Class 300, Schedule 80 1.4404/CX2MW Order code for "Process connection", option AGS | | | | | | |
|---|-----------|-----------|-------------|-----------|-----------|-----------|
| DN [mm] | A [mm] | B [mm] | ∅ C [mm] | D [mm] | E [mm] | L [mm] |
| 15 ¹⁾ | 95.0 | 66.5 | 4 × 15.7 | 14.2 | 13.9 | 200 |
| 25 ¹⁾ | 123.8 | 88.9 | 4 × 19.1 | 19.1 | 24.3 | 200 |
| 40 | 155.6 | 114.3 | 4 × 22.4 | 20.6 | 38.1 | 200 |
| 50 | 165.0 | 127.0 | 8 × 19.1 | 22.4 | 49.2 | 200 |
| 80 | 210.0 | 168.1 | 8 × 22.4 | 28.4 | 73.7 | 200 |
| 100 | 254.0 | 200.2 | 8 × 22.4 | 31.8 | 97.0 | 250 |
| 150 | 317.5 | 269.7 | 12 × 22.4 | 36.6 | 146.3 | 300 |
| Surface roughness: Ra 3.2 to 6.3 µm | | | | | | |

1) Not available as a Dualsens version

| Fixed flange according to JIS B2220: 10K, Schedule 40 1.4404/CX2MW ¹⁾ or 1.4408 ²⁾ Order code for "Process connection", option NDS | | | | | | |
|--|-----------|-----------|-------------|-----------|-----------|-----------|
| DN [mm] | A [mm] | B [mm] | ∅ C [mm] | D [mm] | E [mm] | L [mm] |
| 50 | 155 | 120 | 4 × 19 | 16 | 52.7 | 200 |
| 80 | 185 | 150 | 8 × 19 | 18 | 78.1 | 200 |
| 100 | 210 | 195 | 8 × 19 | 18 | 102.3 | 250 |
| 150 | 280 | 240 | 8 × 23 | 22 | 151.0 | 300 |
| 200 | 330 | 290 | 12 × 23 | 42 | 202.7 | 300 |
| 250 | 400 | 355 | 12 × 25 | 48 | 254.5 | 380 |
| 300 | 445 | 400 | 16 × 25 | 51 | 304.8 | 450 |

Surface roughness: Ra 3.2 to 6.3 µm

- 1) DN 15 to 150
2) DN 200 to 300

| Fixed flange according to JIS B2220: 10K, Schedule 80 1.4404/CX2MW Order code for "Process connection", option NFS | | | | | | |
|--|-----------|-----------|-------------|-----------|-----------|-----------|
| DN [mm] | A [mm] | B [mm] | ∅ C [mm] | D [mm] | E [mm] | L [mm] |
| 50 | 155 | 120 | 4 × 19 | 16 | 49.2 | 200 |
| 80 | 185 | 150 | 8 × 19 | 18 | 73.7 | 200 |
| 100 | 210 | 195 | 8 × 19 | 18 | 97.0 | 250 |
| 150 | 280 | 240 | 8 × 23 | 22 | 146.3 | 300 |

Surface roughness: Ra 3.2 to 6.3 µm

| Fixed flange according to JIS B2220: 20K, Schedule 40 1.4404/CX2MW ¹⁾ or 1.4408 ²⁾ Order code for "Process connection", option NES | | | | | | |
|--|-----------|-----------|-------------|-----------|-----------|-----------|
| DN [mm] | A [mm] | B [mm] | ∅ C [mm] | D [mm] | E [mm] | L [mm] |
| 15 ³⁾ | 95 | 70 | 4 × 15 | 14 | 16.1 | 200 |
| 25 ³⁾ | 125 | 90 | 4 × 19 | 16 | 27.2 | 200 |
| 40 | 140 | 105 | 4 × 19 | 18 | 41.2 | 200 |
| 50 | 155 | 120 | 8 × 19 | 18 | 52.7 | 200 |
| 80 | 200 | 160 | 8 × 23 | 22 | 78.1 | 200 |
| 100 | 225 | 185 | 8 × 23 | 24 | 102.3 | 250 |
| 150 | 305 | 260 | 12 × 25 | 28 | 151.0 | 300 |
| 200 | 350 | 305 | 12 × 25 | 42 | 202.7 | 300 |
| 250 | 430 | 380 | 12 × 27 | 48 | 254.5 | 380 |
| 300 | 480 | 430 | 16 × 27 | 51 | 304.8 | 450 |

Surface roughness: Ra 3.2 to 6.3 µm

- 1) DN 15 to 150
2) DN 200 to 300
3) Not available as a Dualsens version

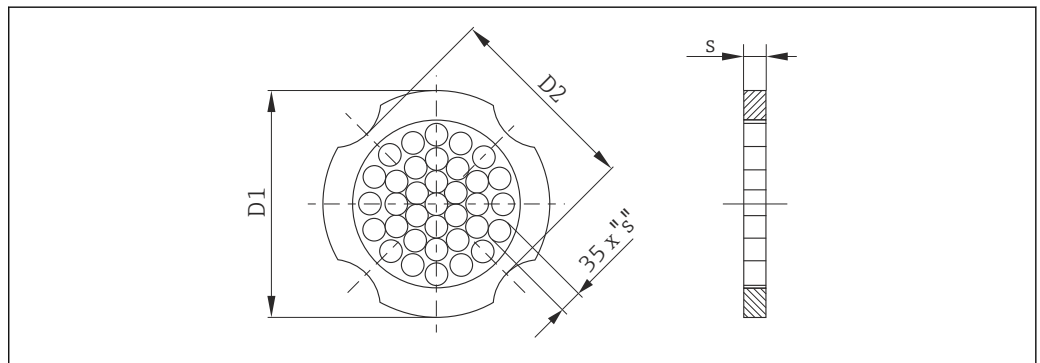
| Fixed flange according to JIS B2220: 20K, Schedule 80 1.4404/CX2MW Order code for "Process connection", option NGS | | | | | | |
|--|--------|--------|----------|--------|--------|--------|
| DN [mm] | A [mm] | B [mm] | ∅ C [mm] | D [mm] | E [mm] | L [mm] |
| 15 ¹⁾ | 95 | 70 | 4 × 15 | 14 | 13.9 | 200 |
| 25 ¹⁾ | 125 | 90 | 4 × 19 | 16 | 24.3 | 200 |
| 40 | 140 | 105 | 4 × 19 | 18 | 38.1 | 200 |
| 50 | 155 | 120 | 8 × 19 | 18 | 49.2 | 200 |
| 80 | 200 | 160 | 8 × 23 | 22 | 73.7 | 200 |
| 100 | 225 | 185 | 8 × 23 | 24 | 97.0 | 250 |
| 150 | 305 | 260 | 12 × 25 | 28 | 146.8 | 300 |

Surface roughness: Ra 3.2 to 6.3 µm

1) Not available as a Dualsens version

Accessories

Flow conditioner



A0001941

| As per EN 1092-1 (DIN 2501): PN 10 1.4404 (316, 316L) Order code for "Accessory enclosed", option PF | | | |
|--|-------------------------|-------------------------------------|--------|
| DN [mm] | Centering diameter [mm] | D1 ¹⁾ / D2 ²⁾ | s [mm] |
| 15 | 54.3 | D2 | 2.0 |
| 25 | 74.3 | D1 | 3.5 |
| 40 | 95.3 | D1 | 5.3 |
| 50 | 110.0 | D2 | 6.8 |
| 80 | 145.3 | D2 | 10.1 |
| 100 | 165.3 | D2 | 13.3 |
| 150 | 221.0 | D2 | 20.0 |
| 200 | 274.0 | D1 | 26.3 |
| 250 | 330.0 | D2 | 33.0 |
| 300 | 380.0 | D2 | 39.6 |

- 1) The flow conditioner is fitted at the outer diameter between the bolts.
- 2) The flow conditioner is fitted at the indentations between the bolts.

| As per EN 1092-1 (DIN 2501): PN 16 1.4404 (316, 316L) Order code for "Accessory enclosed", option PF | | | |
|--|----------------------------|-------------------------------------|-----------|
| DN [mm] | Centering diameter [mm] | D1 ¹⁾ / D2 ²⁾ | s [mm] |
| 15 | 54.3 | D2 | 2.0 |
| 25 | 74.3 | D1 | 3.5 |
| 40 | 95.3 | D1 | 5.3 |
| 50 | 110.0 | D2 | 6.8 |
| 80 | 145.3 | D2 | 10.1 |
| 100 | 165.3 | D2 | 13.3 |
| 150 | 221.0 | D2 | 20.0 |
| 200 | 274.0 | D2 | 26.3 |
| 250 | 330.0 | D2 | 33.0 |
| 300 | 380.0 | D2 | 39.6 |

- 1) The flow conditioner is fitted at the outer diameter between the bolts.
2) The flow conditioner is fitted at the indentations between the bolts.

| As per EN 1092-1 (DIN 2501): PN 25 1.4404 (316, 316L) Order code for "Accessory enclosed", option PF | | | |
|--|----------------------------|-------------------------------------|-----------|
| DN [mm] | Centering diameter [mm] | D1 ¹⁾ / D2 ²⁾ | s [mm] |
| 15 | 54.3 | D2 | 2.0 |
| 25 | 74.3 | D1 | 3.5 |
| 40 | 95.3 | D1 | 5.3 |
| 50 | 110.0 | D2 | 6.8 |
| 80 | 145.3 | D2 | 10.1 |
| 100 | 171.3 | D1 | 13.3 |
| 150 | 227.0 | D2 | 20.0 |
| 200 | 280.0 | D1 | 26.3 |
| 250 | 340.0 | D1 | 33.0 |
| 300 | 404.0 | D1 | 39.6 |

- 1) The flow conditioner is fitted at the outer diameter between the bolts.
2) The flow conditioner is fitted at the indentations between the bolts.

| As per EN 1092-1 (DIN 2501): PN 40 1.4404 (316, 316L) Order code for "Accessory enclosed", option PF | | | |
|--|----------------------------|-------------------------------------|-----------|
| DN [mm] | Centering diameter [mm] | D1 ¹⁾ / D2 ²⁾ | s [mm] |
| 15 | 54.3 | D2 | 2.0 |
| 25 | 74.3 | D1 | 3.5 |
| 40 | 95.3 | D1 | 5.3 |
| 50 | 110.0 | D2 | 6.8 |
| 80 | 145.3 | D2 | 10.1 |
| 100 | 171.3 | D1 | 13.3 |

| As per EN 1092-1 (DIN 2501): PN 40 1.4404 (316, 316L) Order code for "Accessory enclosed", option PF | | | |
|--|-------------------------|-------------------------------------|--------|
| DN [mm] | Centering diameter [mm] | D1 ¹⁾ / D2 ²⁾ | s [mm] |
| 150 | 227.0 | D2 | 20.0 |
| 200 | 294.0 | D2 | 26.3 |
| 250 | 355.0 | D2 | 33.0 |
| 300 | 420.0 | D1 | 39.6 |

- 1) The flow conditioner is fitted at the outer diameter between the bolts.
- 2) The flow conditioner is fitted at the indentations between the bolts.

| As per ASME B16.5: Class 150 1.4404 (316, 316L) Order code for "Accessory enclosed", option PF | | | |
|--|-------------------------|-------------------------------------|--------|
| DN [mm] | Centering diameter [mm] | D1 ¹⁾ / D2 ²⁾ | s [mm] |
| 15 | 50.1 | D1 | 2.0 |
| 25 | 69.2 | D2 | 3.5 |
| 40 | 88.2 | D2 | 5.3 |
| 50 | 106.6 | D2 | 6.8 |
| 80 | 138.4 | D1 | 10.1 |
| 100 | 176.5 | D2 | 13.3 |
| 150 | 223.5 | D1 | 20.0 |
| 200 | 274.0 | D2 | 26.3 |
| 250 | 340.0 | D1 | 33.0 |
| 300 | 404.0 | D1 | 39.6 |

- 1) The flow conditioner is fitted at the outer diameter between the bolts.
- 2) The flow conditioner is fitted at the indentations between the bolts.

| As per ASME B16.5: Class 300 1.4404 (316, 316L) Order code for "Accessory enclosed", option PF | | | |
|--|-------------------------|-------------------------------------|--------|
| DN [mm] | Centering diameter [mm] | D1 ¹⁾ / D2 ²⁾ | s [mm] |
| 15 | 56.5 | D1 | 2.0 |
| 25 | 74.3 | D1 | 3.5 |
| 40 | 97.7 | D2 | 5.3 |
| 50 | 113.0 | D1 | 6.8 |
| 80 | 151.3 | D1 | 10.1 |
| 100 | 182.6 | D1 | 13.3 |
| 150 | 252.0 | D1 | 20.0 |
| 200 | 309.0 | D1 | 26.3 |
| 250 | 363.0 | D1 | 33.0 |
| 300 | 402.0 | D1 | 39.6 |

- 1) The flow conditioner is fitted at the outer diameter between the bolts.
- 2) The flow conditioner is fitted at the indentations between the bolts.

| As per JIS B2220: 10K 1.4404 (316, 316L) Order code for "Accessory enclosed", option PF | | | |
|---|----------------------------|-------------------------------------|-----------|
| DN [mm] | Centering diameter [mm] | D1 ¹⁾ / D2 ²⁾ | s [mm] |
| 15 | 60.3 | D2 | 2.0 |
| 25 | 76.3 | D2 | 3.5 |
| 40 | 91.3 | D2 | 5.3 |
| 50 | 106.6 | D2 | 6.8 |
| 80 | 136.3 | D2 | 10.1 |
| 100 | 161.3 | D2 | 13.3 |
| 150 | 221.0 | D2 | 20.0 |
| 200 | 271.0 | D2 | 26.3 |
| 250 | 330.0 | D2 | 33.0 |
| 300 | 380.0 | D2 | 39.6 |

- 1) The flow conditioner is fitted at the outer diameter between the bolts.
2) The flow conditioner is fitted at the indentations between the bolts.

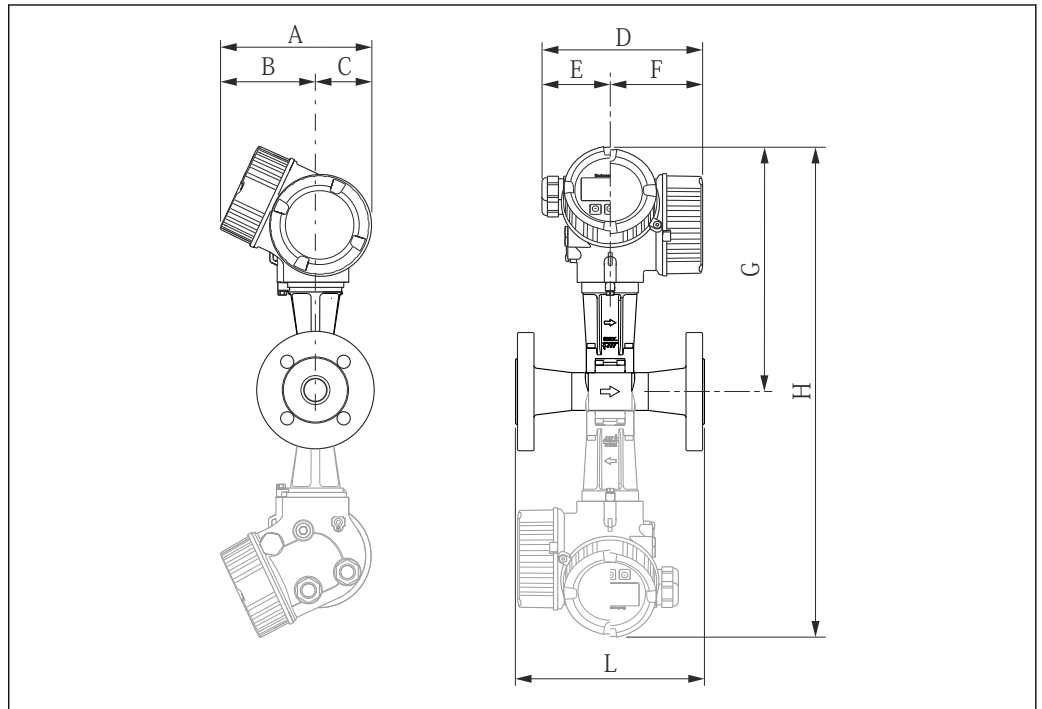
| As per JIS B2220: 20K 1.4404 (316, 316L) Order code for "Accessory enclosed", option PF | | | |
|---|----------------------------|-------------------------------------|-----------|
| DN [mm] | Centering diameter [mm] | D1 ¹⁾ / D2 ²⁾ | s [mm] |
| 15 | 60.3 | D2 | 2.0 |
| 25 | 76.3 | D2 | 3.5 |
| 40 | 91.3 | D2 | 5.3 |
| 50 | 106.6 | D2 | 6.8 |
| 80 | 142.3 | D1 | 10.1 |
| 100 | 167.3 | D1 | 13.3 |
| 150 | 240.0 | D1 | 20.0 |
| 200 | 284.0 | D1 | 26.3 |
| 250 | 355.0 | D2 | 33.0 |
| 300 | 404.0 | D1 | 39.6 |

- 1) The flow conditioner is fitted at the outer diameter between the bolts.
2) The flow conditioner is fitted at the indentations between the bolts.

Dimensions in US units

Compact version

Order code for "Housing", option B "GT18 two-chamber, 316L"; option C "GT20 two-chamber, aluminum, coated"



A0019267

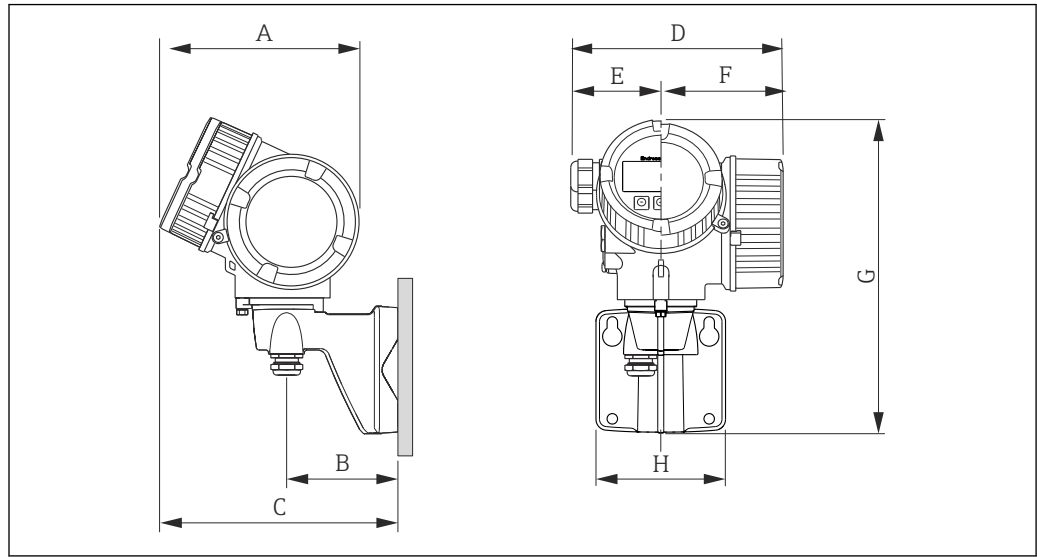
25 Gray broken line: Dualsens version

| DN | A | B ¹⁾ | C | D ²⁾ | E | F ²⁾ | G ^{3) 4)} | H ^{5) 6)} | L |
|------|------|-----------------|------|-----------------|------|-----------------|--------------------|--------------------|---------------|
| [in] | [in] | [in] | [in] | [in] | [in] | [in] | [in] | [in] | [in] |
| ½ | 6.38 | 4.02 | 2.36 | 6.50 | 2.95 | 3.54 | 10.00 | ⁷⁾ | ⁸⁾ |
| 1 | 6.38 | 4.02 | 2.36 | 6.50 | 2.95 | 3.54 | 10.25 | ⁷⁾ | ⁸⁾ |
| 1½ | 6.38 | 4.02 | 2.36 | 6.50 | 2.95 | 3.54 | 10.57 | 21.14 | ⁸⁾ |
| 2 | 6.38 | 4.02 | 2.36 | 6.50 | 2.95 | 3.54 | 10.84 | 21.68 | ⁸⁾ |
| 3 | 6.38 | 4.02 | 2.36 | 6.50 | 2.95 | 3.54 | 11.35 | 22.69 | ⁸⁾ |
| 4 | 6.38 | 4.02 | 2.36 | 6.50 | 2.95 | 3.54 | 11.81 | 23.63 | ⁸⁾ |
| 6 | 6.38 | 4.02 | 2.36 | 6.50 | 2.95 | 3.54 | 12.79 | 25.57 | ⁸⁾ |
| 8 | 6.38 | 4.02 | 2.36 | 6.50 | 2.95 | 3.54 | 13.91 | 27.63 | ⁸⁾ |
| 10 | 6.38 | 4.02 | 2.36 | 6.50 | 2.95 | 3.54 | 14.93 | 29.67 | ⁸⁾ |
| 12 | 6.38 | 4.02 | 2.36 | 6.50 | 2.95 | 3.54 | 15.92 | 31.84 | ⁸⁾ |

- 1) For version without local display: values - 0.28 in
- 2) For version with overvoltage protection: values + 0.31 in
- 3) For version without local display: values - 0.39 in
- 4) For high-temperature/low-temperature version: values + 1.14 in
- 5) For version without local display: values - 0.78 in
- 6) For high-temperature/low-temperature version: values + 2.28 in
- 7) Not available as a Dualsens version
- 8) dependent on respective process connection

Transmitter remote version

Order code for "Housing", option J "GT20, remote, aluminum coated"; option K "GT18 remote, 316L"



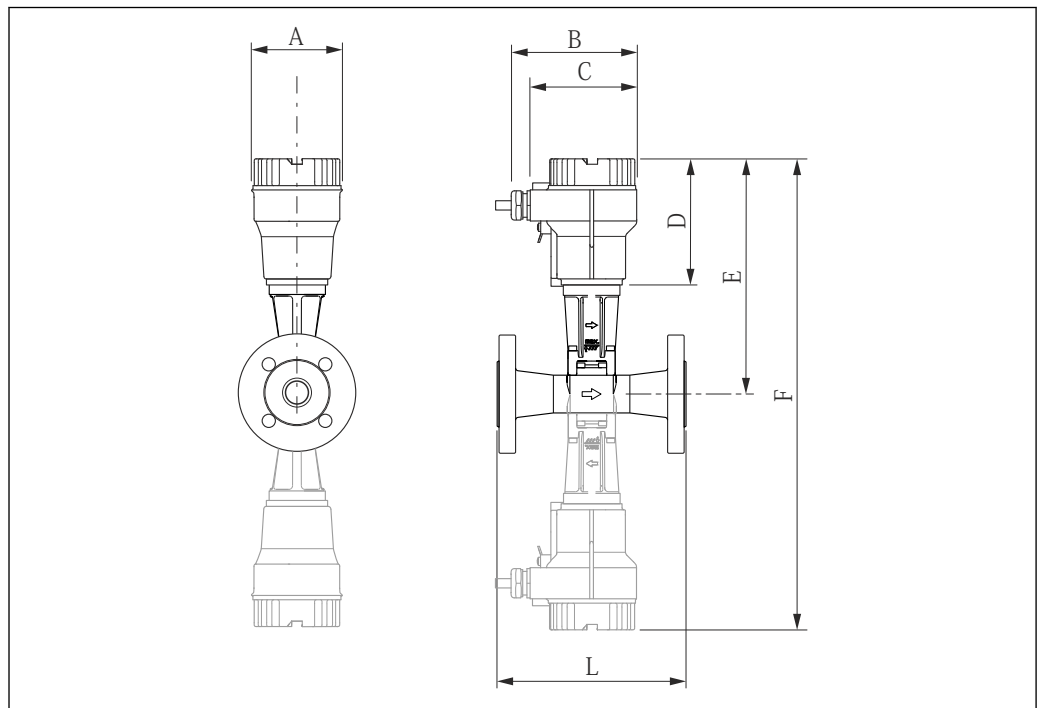
A0020089

| A ¹⁾ [in] | B [in] | C [in] | D ²⁾ [in] | E [in] | F [in] | G ³⁾ [in] | H [in] |
|-------------------------|-----------|-----------|-------------------------|-----------|-----------|-------------------------|-----------|
| 6.38 | 3.54 | 7.52 | 6.5 | 2.75 | 3.54 | 10.0 | 4.21 |

- 1) For device version without local display: value - 0.28 in
- 2) For device version with overvoltage protection (OVP): value + 0.31 in
- 3) For device version without local operation: value - 0.39 in

Sensor remote version

Order code for "Housing", option J "GT20, remote, aluminum, coated"; option K "GT18, remote, 316L"



A0019336

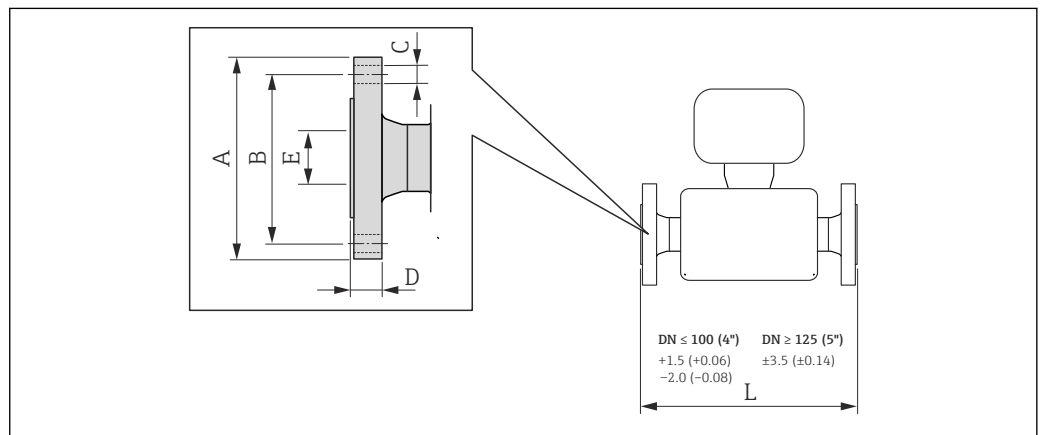
26 Gray broken line: Dualsens version

| DN [in] | A [in] | B [in] | C [in] | D [in] | E ¹⁾ [in] | F ²⁾ [in] | L [in] |
|------------|-----------|-----------|-----------|-----------|-------------------------|-------------------------|---------------|
| ½ | 3.71 | 5.29 | 4.22 | 4.56 | 8.83 | ³⁾ | ⁴⁾ |
| 1 | 3.71 | 5.29 | 4.22 | 4.56 | 9.08 | ³⁾ | ⁴⁾ |
| 1½ | 3.71 | 5.29 | 4.22 | 4.56 | 9.40 | 18.80 | ⁴⁾ |
| 2 | 3.71 | 5.29 | 4.22 | 4.56 | 9.67 | 19.34 | ⁴⁾ |
| 3 | 3.71 | 5.29 | 4.22 | 4.56 | 10.18 | 20.35 | ⁴⁾ |
| 4 | 3.71 | 5.29 | 4.22 | 4.56 | 10.65 | 21.29 | ⁴⁾ |
| 6 | 3.71 | 5.29 | 4.22 | 4.56 | 11.62 | 23.24 | ⁴⁾ |
| 8 | 3.71 | 5.29 | 4.22 | 4.56 | 12.74 | 25.49 | ⁴⁾ |
| 10 | 3.71 | 5.29 | 4.22 | 4.56 | 13.76 | 27.53 | ⁴⁾ |
| 12 | 3.71 | 5.29 | 4.22 | 4.56 | 14.75 | 29.50 | ⁴⁾ |

- 1) For high-temperature/low-temperature version: values + 1.14 in
- 2) For high-temperature/low-temperature version: values + 2.28 in
- 3) Not available as a Dualsens version
- 4) dependent on respective process connection

Flange connections

Fixed flange



A0015621

27 Engineering unit mm (in)

**Fixed flange according to ASME B16.5: Class 150, Schedule 40
 F316, F316L/CX2MW¹⁾ or CF3M²⁾
 Order code for "Process connection", option AAS**

| DN [in] | A [in] | B [in] | ∅ C [in] | D [in] | E [in] | L [in] |
|-----------------|-----------|-----------|-------------|-----------|-----------|-----------|
| ½ ³⁾ | 3.50 | 2.38 | 4 × 0.62 | 0.44 | 0.62 | 7.88 |
| 1 ³⁾ | 4.25 | 3.12 | 4 × 0.62 | 0.62 | 1.05 | 7.88 |
| 1½ | 5.00 | 3.88 | 4 × 0.62 | 0.69 | 1.61 | 7.88 |
| 2 | 6.00 | 4.75 | 4 × 0.75 | 0.75 | 2.07 | 7.88 |
| 3 | 7.51 | 6.00 | 4 × 0.75 | 0.94 | 3.07 | 7.88 |
| 4 | 9.01 | 7.50 | 8 × 0.75 | 0.97 | 4.03 | 9.85 |
| 6 | 11.01 | 9.50 | 8 × 0.88 | 1.00 | 6.08 | 11.82 |
| 8 | 13.51 | 11.80 | 8 × 0.88 | 1.65 | 7.99 | 11.82 |

| Fixed flange according to ASME B16.5: Class 150, Schedule 40 F316, F316L/CX2MW ¹⁾ or CF3M ²⁾ Order code for "Process connection", option AAS | | | | | | |
|--|-----------|-----------|-------------|-----------|-----------|-----------|
| DN [in] | A [in] | B [in] | ∅ C [in] | D [in] | E [in] | L [in] |
| 10 | 16.01 | 14.30 | 12 × 1 | 1.89 | 10.03 | 14.79 |
| 12 | 19.01 | 17.00 | 12 × 1 | 2.36 | 12.01 | 17.73 |

Surface roughness: Ra 125 to 250µin

- 1) DN ½ to 6"
- 2) DN 8 to 12"
- 3) Not available as a Dualsens version

| Fixed flange according to ASME B16.5: Class 150, Schedule 80 F316, F316L/CX2MW Order code for "Process connection", option AFS | | | | | | |
|--|-----------|-----------|-------------|-----------|-----------|-----------|
| DN [in] | A [in] | B [in] | ∅ C [in] | D [in] | E [in] | L [in] |
| ½ ¹⁾ | 3.50 | 2.38 | 4 × 0.62 | 0.44 | 0.55 | 7.88 |
| 1 ¹⁾ | 4.25 | 3.12 | 4 × 0.62 | 0.62 | 0.96 | 7.88 |
| 1½ | 5.00 | 3.88 | 4 × 0.62 | 0.69 | 1.50 | 7.88 |
| 2 | 6.00 | 4.75 | 4 × 0.75 | 0.75 | 1.94 | 7.88 |
| 3 | 7.51 | 6 | 4 × 0.75 | 0.94 | 2.90 | 7.88 |
| 4 | 9.01 | 7.5 | 8 × 0.75 | 0.97 | 3.82 | 9.85 |
| 6 | 11.01 | 9.5 | 8 × 0.88 | 1.00 | 5.76 | 11.82 |

Surface roughness: Ra 125 to 250µin

- 1) Not available as a Dualsens version

| Fixed flange according to ASME B16.5: Class 300, Schedule 40 F316, F316L/CX2MW ¹⁾ or CF3M ²⁾ Order code for "Process connection", option ABS | | | | | | |
|--|-----------|-----------|-------------|-----------|-----------|-----------|
| DN [in] | A [in] | B [in] | ∅ C [in] | D [in] | E [in] | L [in] |
| ½ ³⁾ | 3.74 | 2.62 | 4 × 0.62 | 0.56 | 0.62 | 7.88 |
| 1 ³⁾ | 4.88 | 3.5 | 4 × 0.75 | 0.75 | 1.05 | 7.88 |
| 1½ | 6.13 | 4.5 | 4 × 0.88 | 0.81 | 1.61 | 7.88 |
| 2 | 6.50 | 5 | 8 × 0.75 | 0.88 | 2.07 | 7.88 |
| 3 | 8.27 | 6.62 | 8 × 0.88 | 1.12 | 3.07 | 7.88 |
| 4 | 10.01 | 7.88 | 8 × 0.88 | 1.25 | 4.03 | 9.85 |
| 6 | 12.51 | 10.6 | 12 × 0.88 | 1.44 | 6.08 | 11.82 |
| 8 | 15.01 | 13 | 12 × 1 | 1.65 | 7.99 | 11.82 |
| 10 | 17.51 | 15.3 | 16 × 1.12 | 1.89 | 10.03 | 14.79 |
| 12 | 20.52 | 17.8 | 16 × 1.25 | 2 | 12.01 | 17.73 |

Surface roughness: Ra 125 to 250µin

- 1) DN ½ to 6"
- 2) DN 8 to 12"
- 3) Not available as a Dualsens version

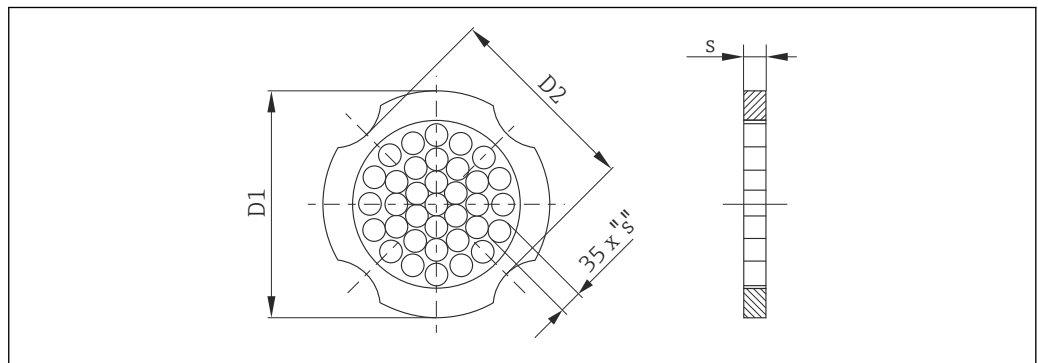
| Fixed flange according to ASME B16.5: Class 300, Schedule 80 F316, F316L/CX2MW Order code for "Process connection", option AGS | | | | | | |
|--|-----------|-----------|-------------|-----------|-----------|-----------|
| DN [in] | A [in] | B [in] | ∅ C [in] | D [in] | E [in] | L [in] |
| ½ ¹⁾ | 3.74 | 2.62 | 4 × 0.62 | 0.56 | 0.55 | 7.88 |
| 1 ¹⁾ | 4.88 | 3.5 | 4 × 0.75 | 0.75 | 0.96 | 7.88 |
| 1½ | 6.13 | 4.5 | 4 × 0.88 | 0.81 | 1.50 | 7.88 |
| 2 | 6.50 | 5 | 8 × 0.75 | 0.88 | 1.94 | 7.88 |
| 3 | 8.27 | 6.62 | 8 × 0.88 | 1.12 | 2.90 | 7.88 |
| 4 | 10.01 | 7.88 | 8 × 0.88 | 1.25 | 3.82 | 9.85 |
| 6 | 12.51 | 10.6 | 12 × 0.88 | 1.44 | 5.76 | 11.82 |

Surface roughness: Ra 125 to 250µin

1) Not available as a Dualsens version

Accessories

Flow conditioner



A0001941

| As per ASME B16.5: Class 150 1.4404 (316, 316L) Order code for "Accessory enclosed", option PF | | | |
|--|----------------------------|-------------------------------------|-----------|
| DN [in] | Centering diameter [in] | D1 ¹⁾ / D2 ²⁾ | s [in] |
| ½ | 1.97 | D1 | 0.08 |
| 1 | 2.72 | D2 | 0.14 |
| 1½ | 3.47 | D2 | 0.21 |
| 2 | 4.09 | D2 | 0.27 |
| 3 | 5.45 | D1 | 0.40 |
| 4 | 6.95 | D2 | 0.52 |
| 6 | 8.81 | D1 | 0.79 |
| 8 | 10.80 | D2 | 1.04 |
| 10 | 13.40 | D1 | 1.30 |
| 12 | 15.90 | D1 | 1.56 |

- 1) The flow conditioner is fitted at the outer diameter between the bolts.
- 2) The flow conditioner is fitted at the indentations between the bolts.

| As per ASME B16.5: Class 300 1.4404 (316, 316L) Order code for "Accessory enclosed", option PF | | | |
|--|----------------------------|-------------------------------------|-----------|
| DN [in] | Centering diameter [in] | D1 ¹⁾ / D2 ²⁾ | s [in] |
| ½ | 2.22 | D1 | 0.08 |
| 1 | 2.93 | D1 | 0.14 |
| 1½ | 3.85 | D2 | 0.21 |
| 2 | 4.45 | D1 | 0.27 |
| 3 | 5.96 | D1 | 0.40 |
| 4 | 7.19 | D1 | 0.52 |
| 6 | 9.92 | D1 | 0.79 |
| 8 | 12.20 | D1 | 1.04 |
| 10 | 14.30 | D1 | 1.30 |
| 12 | 15.80 | D1 | 1.56 |

1) The flow conditioner is fitted at the outer diameter between the bolts.

2) The flow conditioner is fitted at the indentations between the bolts.

Weight

Compact version

Weight data:

- Including the transmitter:
 - Order code for "Housing", option C: 1.8 kg (4.0 lb)
 - Order code for "Housing", option B: 4.5 kg (9.9 lb)
- Excluding packaging material

Weight in SI units

All values (weight) refer to devices with EN (DIN), PN 40 flanges. Weight information in [kg].

| DN [mm] | Weight [kg] | |
|------------|--|--|
| | Order code for "Housing", option C Aluminum, AlSi10Mg, coated ¹⁾ | Order code for "Housing", option B Stainless steel, 1.4404 (316L) ¹⁾ |
| 15 | 5.1 | 7.8 |
| 25 | 7.1 | 9.8 |
| 40 | 9.1 | 11.8 |
| 50 | 11.1 | 13.8 |
| 80 | 16.1 | 18.8 |
| 100 | 21.1 | 23.8 |
| 150 | 37.1 | 39.8 |
| 200 | 72.1 | 74.8 |
| 250 | 111.1 | 113.8 |
| 300 | 158.1 | 160.8 |

1) For high-temperature/low-temperature version: values + 0.2 kg

Weight in US units

All values (weight) refer to devices with ASME B16.5, Class 300/Sch. 40 flanges. Weight information in [lbs].

| DN [in] | Weight [lbs] | |
|------------|--|--|
| | Order code for "Housing", option C Aluminum, AlSi10Mg, coated ¹⁾ | Order code for "Housing", option B Stainless steel, 1.4404 (316L) ¹⁾ |
| ½ | 11.3 | 17.3 |
| 1 | 15.7 | 21.7 |
| 1½ | 22.4 | 28.3 |
| 2 | 26.8 | 32.7 |
| 3 | 42.2 | 48.1 |
| 4 | 66.5 | 72.4 |
| 6 | 110.5 | 116.5 |
| 8 | 167.9 | 173.8 |
| 10 | 240.6 | 246.6 |
| 12 | 357.5 | 363.4 |

1) For high-temperature/low-temperature version: values + 0.4 lbs

Transmitter remote version*Wall-mount housing*

Depends on the material of the wall-mount housing:

- Aluminum, AlSi10Mg, coated: 2.4 kg (5.2 lb)
- Stainless steel, 1.4404 (316L): 6.0 kg (13.2 lb)

Sensor remote version

Weight data:

- Including the connection housing:
 - Aluminum, AlSi10Mg, coated: 0.8 kg (1.8 lb)
 - Stainless cast steel, 1.4408 (CF3M): 2.0 kg (4.4 lb)
- Excluding the connecting cable
- Excluding packaging material

Weight in SI units

All values (weight) refer to devices with EN (DIN), PN 40 flanges. Weight information in [kg].

| DN [mm] | Weight [kg] | |
|------------|--|---|
| | Connection housing Aluminum, AlSi10Mg, coated ¹⁾ | Connection housing Stainless cast steel, 1.4408 (CF3M) ¹⁾ |
| 15 | 4.1 | 5.3 |
| 25 | 6.1 | 7.3 |
| 40 | 8.1 | 9.3 |
| 50 | 10.1 | 11.3 |
| 80 | 15.1 | 16.3 |
| 100 | 20.1 | 21.3 |
| 150 | 36.1 | 37.3 |
| 200 | 71.1 | 72.3 |

| DN [mm] | Weight [kg] | |
|------------|--|---|
| | Connection housing Aluminum, AlSi10Mg, coated ¹⁾ | Connection housing Stainless cast steel, 1.4408 (CF3M) ¹⁾ |
| 250 | 110.1 | 111.3 |
| 300 | 157.1 | 158.3 |

1) For high-temperature/low-temperature version: values + 0.2 kg

Weight in US units

All values (weight) refer to devices with ASME B16.5, Class 300/Sch. 40 flanges. Weight information in [lbs].

| DN [in] | Weight [lbs] | |
|------------|--|---|
| | Connection housing Aluminum, AlSi10Mg, coated ¹⁾ | Connection housing Stainless cast steel, 1.4408 (CF3M) ¹⁾ |
| ½ | 8.9 | 11.7 |
| 1 | 13.4 | 16.1 |
| 1½ | 20.0 | 22.7 |
| 2 | 24.4 | 27.2 |
| 3 | 39.8 | 42.6 |
| 4 | 64.1 | 66.8 |
| 6 | 108.2 | 110.9 |
| 8 | 165.5 | 168.3 |
| 10 | 238.2 | 241.0 |
| 12 | 355.1 | 357.8 |

1) For high-temperature/low-temperature version: values + 0.4 lbs

Accessories

Flow conditioner

Weight in SI units

| DN ¹⁾ [mm] | Pressure rating | Weight [kg] |
|--------------------------|----------------------------|----------------------|
| 15 | PN 10 to 40 | 0.04 |
| 25 | PN 10 to 40 | 0.1 |
| 40 | PN 10 to 40 | 0.3 |
| 50 | PN 10 to 40 | 0.5 |
| 80 | PN 10 to 40 | 1.4 |
| 100 | PN 10 to 40 | 2.4 |
| 150 | PN 10/16 PN 25/40 | 6.3 7.8 |
| 200 | PN 10 PN 16/25 PN 40 | 11.5 12.3 15.9 |

| DN ¹⁾ [mm] | Pressure rating | Weight [kg] |
|--------------------------|-----------------|----------------|
| 250 | PN 10 to 25 | 25.7 |
| | PN 40 | 27.5 |
| 300 | PN 10 to 25 | 36.4 |
| | PN 40 | 44.7 |

1) EN (DIN)

| DN ¹⁾ [mm] | Pressure rating | Weight [kg] |
|--------------------------|-----------------|----------------|
| 15 | Class 150 | 0.03 |
| | Class 300 | 0.04 |
| 25 | Class 150 | 0.1 |
| | Class 300 | |
| 40 | Class 150 | 0.3 |
| | Class 300 | |
| 50 | Class 150 | 0.5 |
| | Class 300 | |
| 80 | Class 150 | 1.2 |
| | Class 300 | 1.4 |
| 100 | Class 150 | 2.7 |
| | Class 300 | |
| 150 | Class 150 | 6.3 |
| | Class 300 | 7.8 |
| 200 | Class 150 | 12.3 |
| | Class 300 | 15.8 |
| 250 | Class 150 | 25.7 |
| | Class 300 | 27.5 |
| 300 | Class 150 | 36.4 |
| | Class 300 | 44.6 |

1) ASME

| DN ¹⁾ [mm] | Pressure rating | Weight [kg] |
|--------------------------|-----------------|----------------|
| 15 | 20K | 0.06 |
| 25 | 20K | 0.1 |
| 40 | 20K | 0.3 |
| 50 | 10K | 0.5 |
| | 20K | |
| 80 | 10K | 1.1 |
| | 20K | |
| 100 | 10K | 1.80 |
| | 20K | |
| 150 | 10K | 4.5 |
| | 20K | |
| 200 | 10K | 9.2 |
| | 20K | |

| DN ¹⁾ [mm] | Pressure rating | Weight [kg] |
|--------------------------|-----------------|----------------|
| 250 | 10K | 15.8 |
| | 20K | 19.1 |
| 300 | 10K | 26.5 |
| | 20K | |

1) JIS

Weight in US units

| DN ¹⁾ [in] | Pressure rating | Weight [lbs] |
|--------------------------|-----------------|-----------------|
| ½ | Class 150 | 0.07 |
| | Class 300 | 0.09 |
| 1 | Class 150 | 0.3 |
| | Class 300 | |
| 1½ | Class 150 | 0.7 |
| | Class 300 | |
| 2 | Class 150 | 1.1 |
| | Class 300 | |
| 3 | Class 150 | 2.6 |
| | Class 300 | |
| 4 | Class 150 | 6.0 |
| | Class 300 | |
| 6 | Class 150 | 14.0 |
| | Class 300 | |
| 8 | Class 150 | 27.0 |
| | Class 300 | |
| 10 | Class 150 | 57.0 |
| | Class 300 | |
| 12 | Class 150 | 80.0 |
| | Class 300 | |

1) ASME

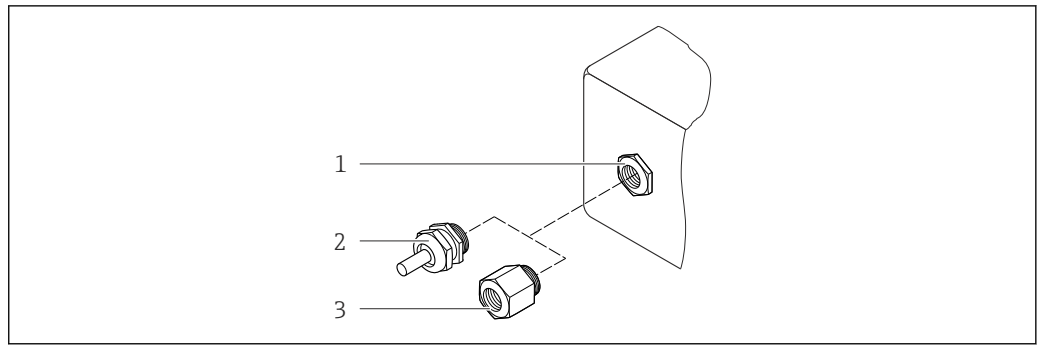
Materials**Transmitter housing***Compact version*

- Order code for "Housing", option B "Compact, stainless":
Stainless steel CF-3M (316L, 1.4404)
- Order code for "Housing", option C "Compact, aluminum coated":
Aluminum, AlSi10Mg, coated
- Window material: glass

Remote version

- Order code for "Housing", option J "Remote, aluminum coated":
Aluminum, AlSi10Mg, coated
- Order code for "Housing", option K "Remote, stainless":
For maximum corrosion resistance: stainless steel 1.4404 (316L)
- Window material: glass

Cable entries/cable glands



A0020640

28 Possible cable entries/cable glands

- 1 Cable entry in transmitter housing, wall-mount housing or connection housing with internal thread M20 x 1.5
- 2 Cable gland M20 x 1.5
- 3 Adapter for cable entry with internal thread G 1/2" or NPT 1/2"

Order code for "Housing", option B "Compact, stainless", option K "Remote, stainless"

| Cable entry/cable gland | Type of protection | Material |
|---|--|--------------------------------|
| Cable gland M20 x 1.5 | <ul style="list-style-type: none"> ■ Non-Ex ■ Ex ia ■ Ex ic ■ Ex nA ■ Ex tb | Stainless steel ,1.4404 |
| Adapter for cable entry with internal thread G 1/2" | For non-Ex and Ex (except for CSA Ex d/XP) | Stainless steel, 1.4404 (316L) |
| Adapter for cable entry with internal thread NPT 1/2" | For non-Ex and Ex | |

Order code for "Housing": option C "Compact, aluminum coated", option J "Remote, aluminum coated"

| Cable entry/cable gland | Type of protection | Material |
|---|--|---------------------|
| Cable gland M20 x 1.5 | <ul style="list-style-type: none"> ■ Non-Ex ■ Ex ia ■ Ex ic | Plastic |
| | Adapter for cable entry with internal thread G 1/2" | Nickel-plated brass |
| Adapter for cable entry with internal thread NPT 1/2" | For non-Ex and Ex (except for CSA Ex d/XP) | Nickel-plated brass |
| Thread NPT 1/2" via adapter | For non-Ex and Ex | |

Connecting cable for remote version

- Standard cable: PVC cable with copper shield
- Reinforced cable: PVC cable with copper shield and additional steel wire braided jacket

Sensor connection housing

- Coated aluminum AlSi10Mg
- Stainless cast steel, 1.4408 (CF3M), in compliance with NACE MR0175-2003 and MR0103-2003

Measuring tubes**Pressure ratings up to PN 40, Class 150/300, and JIS 10K/20K:**

- Stainless cast steel, 1.4408 (CF3M), in compliance with AD2000 (for AD2000 the temperature range is limited to -10 to +400 °C (+14 to +752 °F)) and in compliance with NACE MR0175-2003 and MR0103-2003
- Order code for "Sensor option", option CE "Harsh process⁹⁾, wetted parts, Alloy C22, (including option CD)":
Cast alloy CX2MW similar to Alloy C22/2.4602, in compliance with NACE MR0175-2003 and MR0103-2003

DSC sensor**Pressure ratings up to PN 40, Class 150/300, and JIS 10K/20K:**

Parts in contact with medium (marked as "wet" on the DSC sensor flange):

- Stainless steel, 1.4435 (316, 316L), in compliance with NACE MR0175-2003 and MR0103-2003
- Order code for "Sensor option", option CE "Harsh process⁹⁾, wetted parts, Alloy C22, (including option CD)":
UNS N06022 similar to Alloy C22/2.4602, in compliance with NACE MR0175-2003 and MR0103-2003

Parts not in contact with medium:

- Stainless steel 1.4301 (304)
- Order code for "Sensor option", option CD "Harsh environment¹⁰⁾, DSC sensor sensor components Alloy C22":
Alloy C22 sensor: UNS N06022 similar to Alloy C22/2.4602, in compliance with NACE MR0175-2003 and MR0103-2003

Process connections**Pressure ratings up to PN 40, Class 150/300, and JIS 10K/20K:**

Welding neck flanges DN 15 to 150 (½ to 6"), in compliance with NACE MR0175-2003 and MR0103-2003

The following materials are available depending on the pressure rating:

- Stainless steel, multiple certifications, 1.4404 (F316, F316L)
- Cast alloy CX2MW similar to Alloy C22/2.4602

DN 200 to 300 (8 to 12"):

Stainless cast steel, 1.4408 (CF3M)



List of all available process connections → 83

Seals

- Graphite (standard)
Sigraflex Hochdruck™ with smooth sheet metal insert made of stainless steel, 316/316L (BAM-certified for oxygen applications, "high quality in terms of TA Luft" (German Clean Air Act))
- FPM (Viton)
- Kalrez 6375
- Gylon 3504 (BAM-certified for oxygen applications, "high quality in terms of TA Luft (German Clean Air Act)")

Housing support

Stainless steel, 1.4408 (CF3M)

Accessories

Weather protection cover

Stainless steel 1.4404 (316L)

9) Aggressive medium (risk of corrosion due to chloride, for example)


10) Aggressive atmosphere (salts or chloride in the air)

Flow conditioner

Stainless steel, multiple certifications, 1.4404 (316, 316L), in compliance with NACE MR0175-2003 and MR0103-2003

Process connections

- EN 1092-1 (DIN 2501)
- ASME B16.5
- JIS B2220

 For information on the different materials used in the process connections →  82

Operability

Operating concept

Operator-oriented menu structure for user-specific tasks

- Commissioning
- Operation
- Diagnostics
- Expert level

Quick and safe commissioning

- Guided menus ("Make-it-run" wizards) for applications
- Menu guidance with brief explanations of the individual parameter functions

Reliable operation

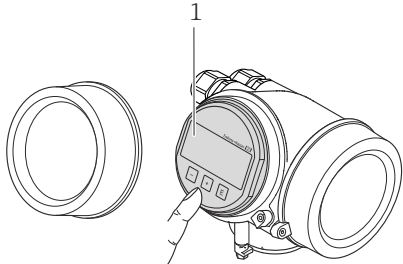
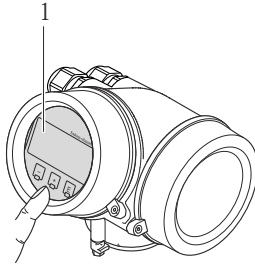
- Operation in the following languages:
 - Via local display: English, German, French, Spanish, Italian, Dutch, Portuguese, Polish, Russian, Swedish, Turkish, Chinese, Japanese, Korean, Bahasa (Indonesian), Vietnamese, Czech
 - Via "FieldCare" operating tool: English, German, French, Spanish, Italian, Chinese, Japanese
- Uniform operating philosophy applied to device and operating tools
- If replacing the electronic module, transfer the device configuration via the integrated memory (integrated HistoROM) which contains the process and measuring device data and the event logbook. No need to reconfigure.

Efficient diagnostics increase measurement availability

- Troubleshooting measures can be called up via the device and in the operating tools
- Diverse simulation options, logbook for events that occur and optional line recorder functions

Local operation

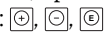

Via display module

| Order code for "Display; Operation", option C "SD02" | Order code for "Display; Operation", option E "SD03" |
|--|--|
|  <p style="text-align: right; font-size: small;">A0015544</p> |  <p style="text-align: right; font-size: small;">A0015546</p> |
| <p>1 Operation with pushbuttons</p> | <p>1 Operation with touch control</p> |

Display elements

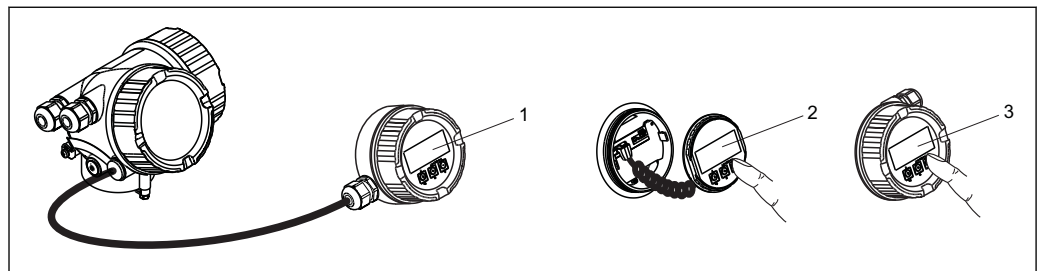
- 4-line display
- With order code for "Display; operation", option E: White background lighting; switches to red in event of device errors
- Format for displaying measured variables and status variables can be individually configured
- Permitted ambient temperature for the display: -20 to +60 °C (-4 to +140 °F)
The readability of the display may be impaired at temperatures outside the temperature range.

Operating elements


- With order code for "Display; operation", option **C**:
Local operation with 3 push buttons: 
- With order code for "Display; operation", option **E**:
External operation via touch control; 3 optical keys: 
- Operating elements also accessible in various hazardous areas

Additional functionality

- Data backup function
The device configuration can be saved in the display module.
- Data comparison function
The device configuration saved in the display module can be compared to the current device configuration.
- Data transfer function
The transmitter configuration can be transmitted to another device using the display module.

Via remote display and operating module FHX50

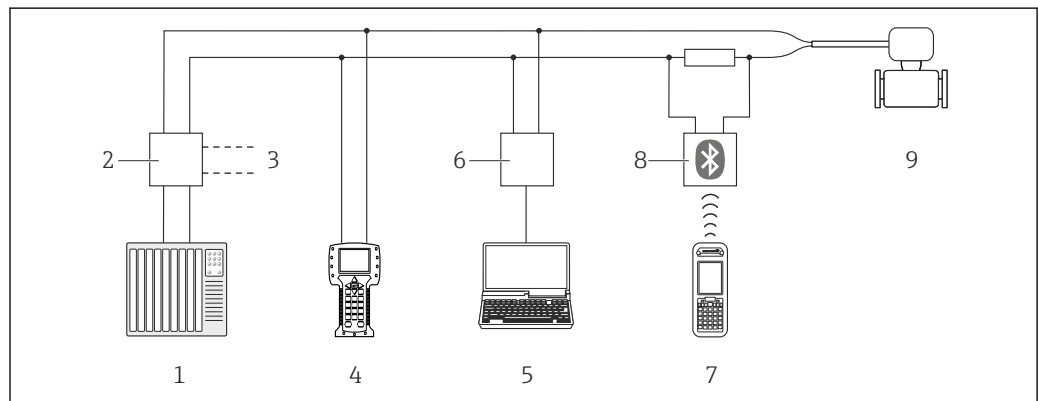
A0013137

 29 Operating options via FHX50


- 1 Housing of remote display and operating module FHX50
- 2 SD02 display and operating module, push buttons: cover must be opened for operation
- 3 SD03 display and operating module, optical buttons: operation possible through cover glass

Remote operation**Via HART protocol**

This communication interface is available in device versions with a HART output.



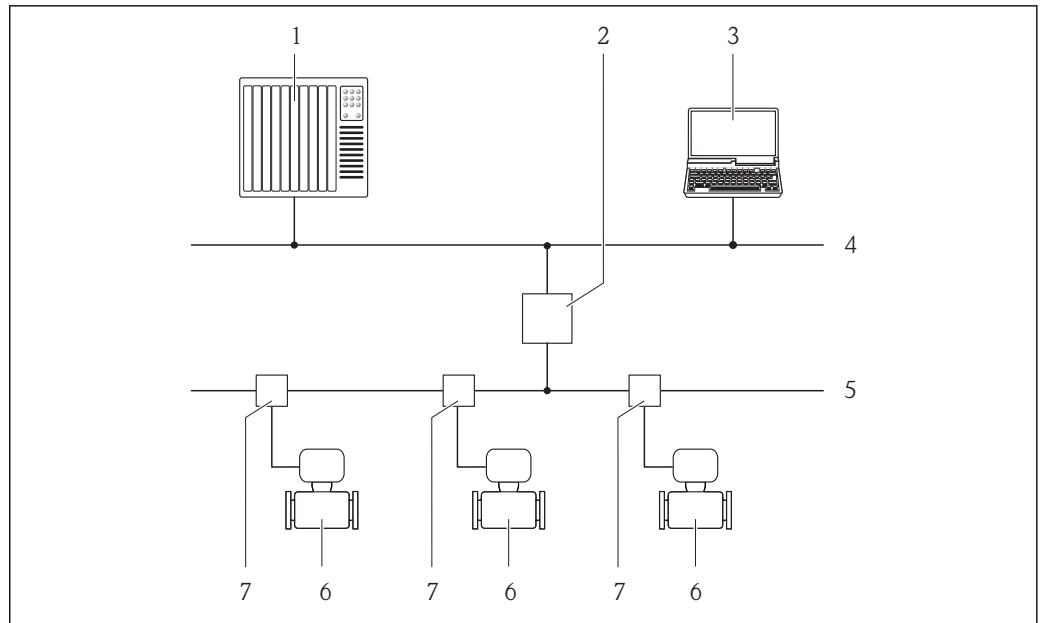
A0013764

 30 Options for remote operation via HART protocol

- 1 Control system (e.g. PLC)
- 2 Transmitter power supply unit, e.g. RN221N (with communication resistor)
- 3 Connection for Commubox FXA195 and Field Communicator 475
- 4 Field Communicator 475
- 5 Computer with operating tool (e.g. FieldCare, AMS Device Manager, SIMATIC PDM)
- 6 Commubox FXA195 (USB)
- 7 Field Xpert SFX350 or SFX370
- 8 VIATOR Bluetooth modem with connecting cable
- 9 Transmitter

Via PROFIBUS PA network

This communication interface is available in device versions with PROFIBUS PA.



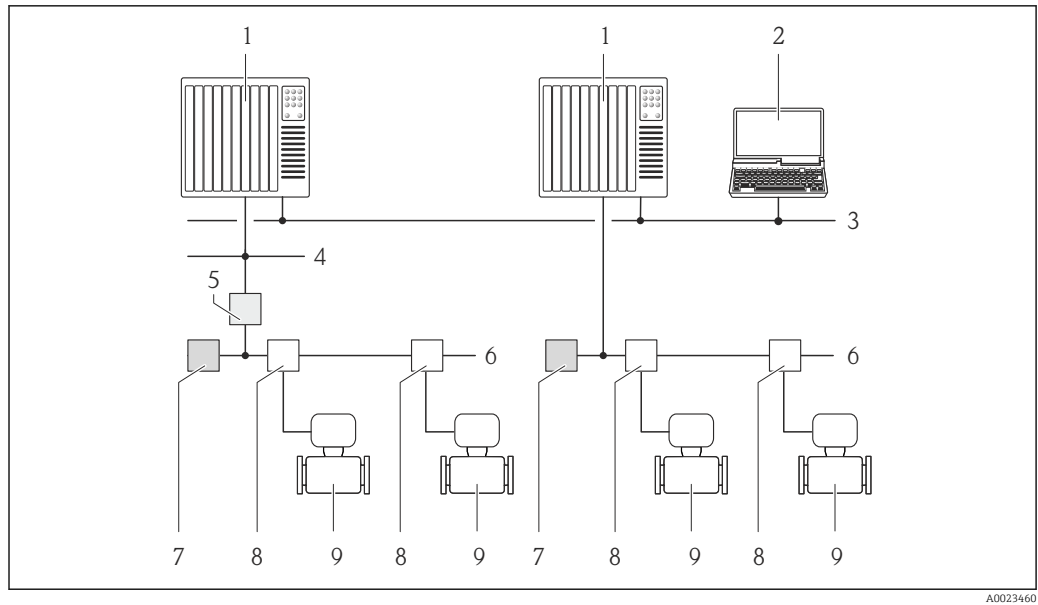
A0019013

31 Options for remote operation via PROFIBUS PA network

- 1 Automation system
- 2 Segment coupler PROFIBUS DP/PA
- 3 Computer with PROFIBUS network card
- 4 PROFIBUS DP network
- 5 PROFIBUS PA network
- 6 Measuring device
- 7 T-box

Via FOUNDATION Fieldbus network

This communication interface is available in device versions with FOUNDATION Fieldbus.



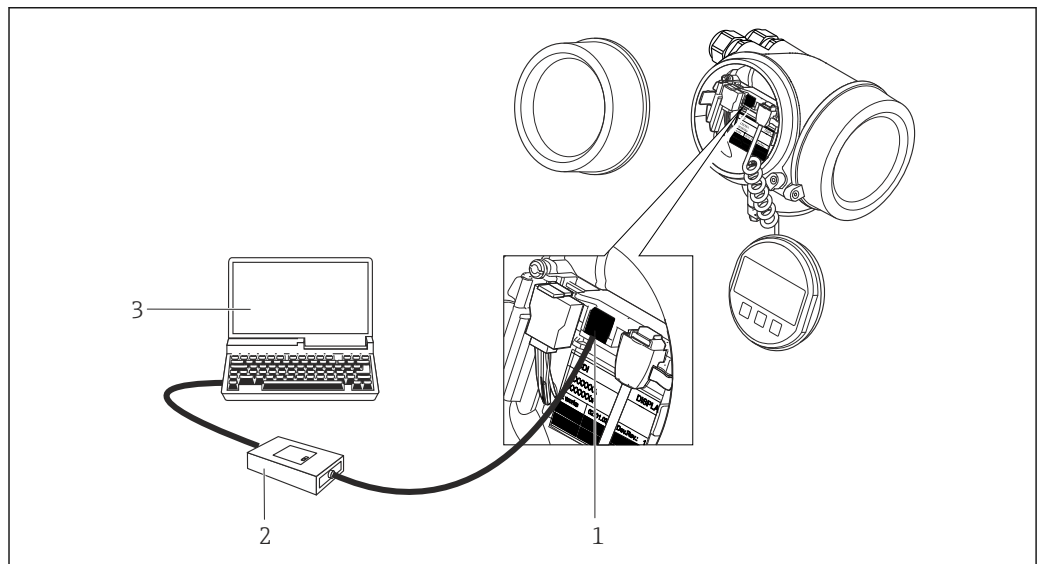
A0023460

32 Options for remote operation via FOUNDATION Fieldbus network

- 1 Automation system
- 2 Computer with FOUNDATION Fieldbus network card
- 3 Industry network
- 4 High Speed Ethernet FF-HSE network
- 5 Segment coupler FF-HSE/FF-H1
- 6 FOUNDATION Fieldbus FF-H1 network
- 7 Power supply FF-H1 network
- 8 T-box
- 9 Measuring device

Service interface

Via service interface (CDI)




A0020545

- 1 Service interface (CDI = Endress+Hauser Common Data Interface) of the measuring device
- 2 Commubox FXA291
- 3 Computer with "FieldCare" operating tool with COM DTM "CDI Communication FXA291"

Certificates and approvals

| | |
|----------------------|---|
| CE mark | <p>The measuring system is in conformity with the statutory requirements of the applicable EC Directives. These are listed in the corresponding EC Declaration of Conformity along with the standards applied.</p> <p>Endress+Hauser confirms successful testing of the device by affixing to it the CE mark.</p> |
| C-Tick symbol | <p>The measuring system meets the EMC requirements of the "Australian Communications and Media Authority (ACMA)".</p> |

| | |
|--------------------|---|
| Ex approval | <p>The measuring device is certified for use in hazardous areas and the relevant safety instructions are provided in the separate "Safety Instructions" (XA) document. Reference is made to this document on the nameplate.</p> <p> The separate Ex documentation (XA) containing all the relevant explosion protection data is available from your Endress+Hauser sales center.</p> |
|--------------------|---|

ATEX, IECEx

Currently, the following versions for use in hazardous areas are available:

Ex d

| Category | Type of protection |
|-----------------|----------------------|
| II2G/Zone 1 | Ex d[ia] IIC T6...T1 |
| II1/2G/Zone 0/1 | Ex d[ia] IIC T6...T1 |

Ex ia

| Category | Type of protection |
|-----------------|--------------------|
| II2G/Zone 1 | Ex ia IIC T6...T1 |
| II1G/Zone 0 | Ex ia IIC T6...T1 |
| II1/2G/Zone 0/1 | Ex ia IIC T6...T1 |

Ex ic

| Category | Type of protection |
|-----------------|-----------------------|
| II3G/Zone 2 | Ex ic IIC T6...T1 |
| II1/3G/Zone 0/2 | Ex ic[ia] IIC T6...T1 |

Ex nA

| Category | Type of protection |
|-------------|--------------------|
| II3G/Zone 2 | Ex nA IIC T6...T1 |

Ex tb

| Category | Type of protection |
|---------------|--------------------|
| II2D/Zone 2 1 | Ex tb IIIC Txxx |

cCSAus

Currently, the following versions for use in hazardous areas are available:

XP

| Category | Type of protection |
|--|------------------------------|
| Class I, II, III Division 1 Groups A-G | XP (Ex d Flameproof version) |

IS

| Category | Type of protection |
|--|--------------------------------------|
| Class I, II, III Division 1 Groups A-G | IS (Ex i Intrinsically safe version) |

NI

| Category | Type of protection |
|--------------------------------|---|
| Class I Division 2 Groups ABCD | NI (Non-incentive version), NIFW-Parameter* |

*= Entity- und NIFW-Parameter gemäß Control Drawings

NEPSI

Currently, the following versions for use in hazardous areas are available:

Ex d

| Category | Type of protection |
|----------|---|
| Zone 1 | Ex d ia IIC T1 ~ T6 Ex d ia Ga IIC T1 ~ T6 |
| Zone 0/1 | Ex d ia IIC T1 ~ T6 DIP A21 Ex d ia Ga IIC T1 ~ T6 DIP A21 |

Ex ia

| Category | Type of protection |
|----------|---------------------------|
| Zone 1 | Ex ia IIC T1 ~ T6 |
| Zone 0/1 | Ex ia IIC T1 ~ T6 DIP A21 |

Ex ic

| Category | Type of protection |
|-----------------|--------------------------|
| II3G/Zone 2 | Ex ic IIC T1 ~ T6 |
| II1/3G/Zone 0/2 | Ex ic ia Ga IIC T1 ~ T6 |

Ex nA

| Category | Type of protection |
|----------|---|
| Zone 2 | Ex nA IIC T1 ~ T6 Ex nA ia Ga IIC T1 ~ T6 |

INMETRO

Currently, the following versions for use in hazardous areas are available:

Ex d

| Category | Type of protection |
|----------|----------------------|
| - | Ex d ia IIC T6...T1 |

Ex ia

| Category | Type of protection |
|----------|--------------------|
| - | Ex ia IIC T6...T1 |



Ex nA

| Category | Type of protection |
|----------|---|
| - | Ex nA IIC T6...T1 Ex nA ia Ga IIC T6...T1 |

Functional safety

The measuring device can be used for flow monitoring systems (min., max., range) up to SIL 2 (single-channel architecture) and SIL 3 (multichannel architecture with homogeneous redundancy) and is independently evaluated and certified by the TÜV in accordance with IEC 61508.

The following types of monitoring in safety equipment are possible:
Volume flow

 Functional Safety Manual with information on the SIL device →  96

HART certification

HART interface

The measuring device is certified and registered by the FieldComm Group. The measuring system meets all the requirements of the following specifications:

- Certified according to HART 7
- The device can also be operated with certified devices of other manufacturers (interoperability)

FOUNDATION Fieldbus certification

FOUNDATION Fieldbus interface

The measuring device is certified and registered by the FieldComm Group. The measuring system meets all the requirements of the following specifications:

- Certified in accordance with FOUNDATION Fieldbus H1
- Interoperability Test Kit (ITK), revision version 6.1.1 (certificate available on request)
- Physical Layer Conformance Test
- The device can also be operated with certified devices of other manufacturers (interoperability)

Certification PROFIBUS

PROFIBUS interface

The measuring device is certified and registered by the PROFIBUS User Organization (PNO). The measuring system meets all the requirements of the following specifications:

- Certified in accordance with PROFIBUS PA Profile 3.02
- The device can also be operated with certified devices of other manufacturers (interoperability)

Pressure Equipment Directive

- With the PED/G1/x (x = category) marking on the sensor nameplate, Endress+Hauser confirms compliance with the "Essential Safety Requirements" specified in Annex I of the Pressure Equipment Directive 97/23/EC.
- Devices bearing this marking (PED) are suitable for the following types of medium:
Media in Group 1 and 2 with a vapor pressure greater than, or smaller and equal to 0.5 bar (7.3 psi)
- Devices not bearing this marking (PED) are designed and manufactured according to good engineering practice. They meet the requirements of Art.3 Section 3 of the Pressure Equipment Directive 97/23/EC. The range of application is indicated in tables 6 to 9 in Annex II of the Pressure Equipment Directive.

Experience

The Prowirl 200 measuring system is the official successor to Prowirl 72 and Prowirl 73.

Other standards and guidelines

- EN 60529
Degrees of protection provided by enclosures (IP code)
- DIN ISO 13359
Measurement of conductive liquid flow in closed conduits - Flanged-type electromagnetic flowmeters - Overall length
- EN 61010-1
Safety requirements for electrical equipment for measurement, control and laboratory use - general requirements

- IEC/EN 61326
Emission in accordance with Class A requirements. Electromagnetic compatibility (EMC requirements).
- NAMUR NE 21
Electromagnetic compatibility (EMC) of industrial process and laboratory control equipment
- NAMUR NE 32
Data retention in the event of a power failure in field and control instruments with microprocessors
- NAMUR NE 43
Standardization of the signal level for the breakdown information of digital transmitters with analog output signal.
- NAMUR NE 53
Software of field devices and signal-processing devices with digital electronics
- NAMUR NE 105
Specifications for integrating fieldbus devices in engineering tools for field devices
- NAMUR NE 107
Self-monitoring and diagnosis of field devices
- NAMUR NE 131
Requirements for field devices for standard applications
- ASME BPVC Section VIII, Division 1
Rules for Construction of Pressure Vessels

Ordering information

Detailed ordering information is available from the following sources:

- In the Product Configurator on the Endress+Hauser website: www.endress.com → Select your country → Products → Select measuring technology, software or components → Select the product (picklists: measurement method, product family etc.) → Device support (right-hand column): Configure the selected product → The Product Configurator for the selected product opens.
- From your Endress+Hauser Sales Center: www.addresses.endress.com



Product Configurator - the tool for individual product configuration

- Up-to-the-minute configuration data
- Depending on the device: Direct input of measuring point-specific information such as measuring range or operating language
- Automatic verification of exclusion criteria
- Automatic creation of the order code and its breakdown in PDF or Excel output format
- Ability to order directly in the Endress+Hauser Online Shop

Application packages

Many different application packages are available to enhance the functionality of the device. Such packages might be needed to address safety aspects or specific application requirements.

The application packages can be ordered with the device or subsequently from Endress+Hauser. Detailed information on the order code in question is available from your local Endress+Hauser sales center or on the product page of the Endress+Hauser website: www.endress.com.

-  Detailed information on the application packages:
- Special Documentation for the device →  96
 - Special Documentation for the device

| Diagnostics functions | |
|----------------------------|---|
| Package | Description |
| HistoROM extended function | <p>Comprises extended functions concerning the event log and the activation of the measured value memory.</p> <p>Event log: Memory volume is extended from 20 message entries (basic version) to up to 100 entries.</p> <p>Data logging (line recorder):</p> <ul style="list-style-type: none"> ▪ Memory capacity for up to 1000 measured values is activated. ▪ 250 measured values can be output via each of the 4 memory channels. The recording interval can be defined and configured by the user. ▪ Data logging is visualized via the local display or FieldCare. |

| Heartbeat Technology | |
|------------------------|--|
| Package | Description |
| Heartbeat Verification | <p>Heartbeat Verification</p> <p>Meets the requirement for traceable verification to DIN ISO 9001:2008 Chapter 7.6 a) "Control of monitoring and measuring equipment".</p> <ul style="list-style-type: none"> ▪ Functional testing in the installed state without interrupting the process. ▪ Traceable verification results on request, including a report. ▪ Simple testing process via local operation or other operating interfaces. ▪ Clear measuring point assessment (pass/fail) with high test coverage within the framework of manufacturer specifications. ▪ Extension of calibration intervals according to operator's risk assessment. |

| Air and industrial gases | |
|--------------------------|--|
| Package | Description |
| Air and industrial gases | <p>This application package enables users to calculate the density and energy of air and industrial gases. The calculations are based on time-tested standard calculation methods. It is possible to automatically compensate for the effect of pressure and temperature via an external or constant value.</p> <p>With this application package it is possible to output the energy flow, standard volume flow and mass flow of the following fluids:</p> <ul style="list-style-type: none"> ▪ Air ▪ Single gas ▪ Gas mixture ▪ User-specific gas |

| Natural gas | |
|-------------|--|
| Package | Description |
| Natural gas | <p>This application package enables users to calculate the chemical properties (gross calorific value, net calorific value) of natural gases. The calculations are based on time-tested standard calculation methods. It is possible to automatically compensate for the effect of pressure and temperature via an external or constant value.</p> <p>With this application package it is possible to output the energy flow, standard volume flow and mass flow based on the following standard methods:</p> <p>Energy can be calculated based on the following standards:</p> <ul style="list-style-type: none"> ▪ AGA5 ▪ ISO 6976 ▪ GPA 2172 <p>Density can be calculated based on the following standards:</p> <ul style="list-style-type: none"> ▪ ISO 12213-2 (AGA8-DC92) ▪ ISO 12213-3 ▪ AGA NX19 ▪ AGA8 Gross 1 ▪ SGERG 88 |

| Wet steam detection | |
|---------------------|---|
| Package | Description |
| Wet steam detection | <p>Wet steam detection provides a qualitative parameter for monitoring the steam application. It is an additional indicator for checking steam quality. A warning is displayed as soon as the steam quality drops below $x = 0.80$ (80%).</p> <ul style="list-style-type: none"> ▪ Additional quality parameter for ensuring a safe and efficient steam process ▪ Additional indicator to monitor the operation of steam traps |


Wet steam measurement







| Package | Description |
|-----------------------|--|
| Wet steam measurement | <p>Innovative measurement of the steam quality and degree of overheating. The wet steam detection application package extends wet steam measurement to include the continuous display of the steam quality. The steam quality is used to calculate the correct volume flow and mass flow and can be assigned to outputs. The condensate amount can be displayed. By evaluating the data, deviations in the process can be quickly detected.</p> <ul style="list-style-type: none"> ▪ As the warning values can be freely defined, users have optimum control of the steam process. ▪ Additional quality parameter for ensuring a safe and efficient steam process. ▪ Additional indicator to monitor the operation of steam traps. ▪ Combined with active pressure compensation, the device guarantees correct steam measurement. ▪ Automatic calculation of the steam state and correct measurement of the steam amount. ▪ Automatic navigation through the steam areas (wet steam, saturated steam and superheated steam). |

Accessories

Various accessories, which can be ordered with the device or subsequently from Endress+Hauser, are available for the device. Detailed information on the order code in question is available from your local Endress+Hauser sales center or on the product page of the Endress+Hauser website: www.endress.com.

Device-specific accessories**For the transmitter**









| Accessories | Description |
|-------------------------|--|
| Prowirl 200 transmitter | <p>Transmitter for replacement or storage. Use the order code to define the following specifications:</p> <ul style="list-style-type: none"> ▪ Approvals ▪ Output ▪ Display / operation ▪ Housing ▪ Software <p> For details, see Installation Instructions EA01056D</p> |

| | |
|--|--|
| <p>Remote display FHX50</p> | <p>FHX50 housing for accommodating a display module →  84.</p> <ul style="list-style-type: none"> ▪ FHX50 housing suitable for: <ul style="list-style-type: none"> – SD02 display module (push buttons) – SD03 display module (touch control) ▪ Housing material: <ul style="list-style-type: none"> – Plastic PBT – Stainless steel CF-3M (316L, 1.4404) ▪ Length of connecting cable: up to max. 60 m (196 ft) (cable lengths available for order: 5 m (16 ft), 10 m (32 ft), 20 m (65 ft), 30 m (98 ft)) <p>The measuring device can be ordered with the FHX50 housing and a display module. The following options must be selected in the separate order codes:</p> <ul style="list-style-type: none"> ▪ Order code for measuring device, feature 030: Option L or M "Prepared for FHX50 display" ▪ Order code for FHX50 housing, feature 050 (device version): Option A "Prepared for FHX50 display" ▪ Order code for FHX50 housing, depends on the desired display module in feature 020 (display, operation): <ul style="list-style-type: none"> – Option C: for an SD02 display module (push buttons) – Option E: for an SD03 display module (touch control) <p>The FHX50 housing can also be ordered as a retrofit kit. The measuring device display module is used in the FHX50 housing. The following options must be selected in the order code for the FHX50 housing:</p> <ul style="list-style-type: none"> ▪ Feature 050 (measuring device version): option B "Not prepared for FHX50 display" ▪ Feature 020 (display, operation): option A "None, existing displayed used" <p> For details, see Special Documentation SD01007F</p> <p>(Order number: FHX50)</p> |
| <p>Overvoltage protection for 2-wire devices</p> | <p>Ideally, the overvoltage protection module should be ordered directly with the device. See product structure, characteristic 610 "Accessory mounted", option NA "Overvoltage protection". Separate order necessary only if retrofitting.</p> <ul style="list-style-type: none"> ▪ OVP10: For 1-channel devices (characteristic 020, option A): ▪ OVP20: For 2-channel devices (characteristic 020, options B, C, E or G) <p> For details, see Special Documentation SD01090F.</p> |
| <p>Weather protection cover</p> | <p>Is used to protect the measuring device from the effects of the weather: e.g. rainwater, excess heating from direct sunlight or extreme cold in winter.</p> <p> For details, see Special Documentation SD00333F</p> |
| <p>Connecting cable for remote version</p> | <ul style="list-style-type: none"> ▪ Connecting cable available in various lengths: <ul style="list-style-type: none"> – 5 m (16 ft) – 10 m (32 ft) – 20 m (65 ft) – 30 m (98 ft) ▪ Reinforced cables available on request. <p> Standard length: 5 m (16 ft) Is always supplied if no other cable length has been ordered.</p> |
| <p>Post mounting kit</p> | <p>Post mounting kit for transmitter.</p> <p> The post mounting kit can only be ordered together with a transmitter.</p> <p>(Order number: DK8WM-B)</p> |

For the sensor



| Accessories | Description |
|------------------|--|
| Flow conditioner | Is used to shorten the necessary inlet run. (Order number: DK7ST) |

Communication-specific accessories






| Accessories | Description |
|-----------------------------|---|
| Commubox FXA195 HART | For intrinsically safe HART communication with FieldCare via the USB interface.  For details, see "Technical Information" TI00404F |
| Commubox FXA291 | Connects Endress+Hauser field devices with a CDI interface (= Endress+Hauser Common Data Interface) and the USB port of a computer or laptop.  For details, see the "Technical Information" document TI405C/07 |
| HART Loop Converter HMX50 | Is used to evaluate and convert dynamic HART process variables to analog current signals or limit values.  For details, see "Technical Information" TI00429F and Operating Instructions BA00371F |
| Wireless HART adapter SWA70 | Is used for the wireless connection of field devices. The WirelessHART adapter can be easily integrated into field devices and existing infrastructures, offers data protection and transmission safety and can be operated in parallel with other wireless networks with minimum cabling complexity.  For details, see Operating Instructions BA00061S |
| Fieldgate FXA320 | Gateway for the remote monitoring of connected 4-20 mA measuring devices via a Web browser.  For details, see "Technical Information" TI00025S and Operating Instructions BA00053S |
| Fieldgate FXA520 | Gateway for the remote diagnostics and remote configuration of connected HART measuring devices via a Web browser.  For details, see "Technical Information" TI00025S and Operating Instructions BA00051S |
| Field Xpert SFX350 | Field Xpert SFX350 is a mobile computer for commissioning and maintenance. It enables efficient device configuration and diagnostics for HART and FOUNDATION Fieldbus devices in the non-Ex area .  For details, see Operating Instructions BA01202S |
| Field Xpert SFX370 | Field Xpert SFX370 is a mobile computer for commissioning and maintenance. It enables efficient device configuration and diagnostics for HART and FOUNDATION Fieldbus devices in the non-Ex area and the Ex area .  For details, see Operating Instructions BA01202S |

Service-specific accessories


| Accessories | Description |
|-------------|--|
| Applicator | Software for selecting and sizing Endress+Hauser measuring devices: <ul style="list-style-type: none"> Calculation of all the necessary data for identifying the optimum flowmeter: e.g. nominal diameter, pressure loss, accuracy or process connections. Graphic illustration of the calculation results Administration, documentation and access to all project-related data and parameters throughout the entire life cycle of a project. Applicator is available: <ul style="list-style-type: none"> Via the Internet: https://wapps.endress.com/applicator On CD-ROM for local PC installation. |
| W@M | Life cycle management for your plant W@M supports you with a wide range of software applications over the entire process: from planning and procurement, to the installation, commissioning and operation of the measuring devices. All the relevant device information, such as the device status, spare parts and device-specific documentation, is available for every device over the entire life cycle. The application already contains the data of your Endress+Hauser device. Endress+Hauser also takes care of maintaining and updating the data records. W@M is available: <ul style="list-style-type: none"> Via the Internet: www.endress.com/lifecyclemanagement On CD-ROM for local PC installation. |

| | |
|------------|---|
| FieldCare | FDT-based plant asset management tool from Endress+Hauser. It can configure all smart field units in your system and helps you manage them. By using the status information, it is also a simple but effective way of checking their status and condition.  For details, see Operating Instructions BA00027S and BA00059S |
| DeviceCare | Tool for connecting and configuring Endress+Hauser field devices.  For details, see Innovation brochure IN01047S |

System components

| Accessories | Description |
|--------------------------------------|--|
| Memograph M graphic display recorder | The Memograph M graphic display recorder provides information on all relevant measured variables. Measured values are recorded correctly, limit values are monitored and measuring points analyzed. The data are stored in the 256 MB internal memory and also on a SD card or USB stick.  For details, see "Technical Information" TI00133R and Operating Instructions BA00247R |
| RN221N | Active barrier with power supply for safe separation of 4-20 mA standard signal circuits. Offers bidirectional HART transmission.  For details, see "Technical Information" TI00073R and Operating Instructions BA00202R |
| RNS221 | Supply unit for powering two 2-wire measuring devices solely in the non-Ex area. Bidirectional communication is possible via the HART communication jacks.  For details, see "Technical Information" TI00081R and Brief Operating Instructions KA00110R |
| Cerabar M | The pressure transmitter for measuring the absolute and gauge pressure of gases, steam and liquids. It can be used to read in the operating pressure value.  For details, see "Technical Information" TI00426P, TI00436P and Operating Instructions BA00200P, BA00382P |
| Cerabar S | The pressure transmitter for measuring the absolute and gauge pressure of gases, steam and liquids. It can be used to read in the operating pressure value.  For details, see "Technical Information" TI00383P and Operating Instructions BA00271P |

Supplementary documentation

-  For an overview of the scope of the associated Technical Documentation, refer to the following:
- The *W@M Device Viewer* : Enter the serial number from the nameplate (www.endress.com/deviceviewer)
 - The *Endress+Hauser Operations App*: Enter the serial number from the nameplate or scan the 2-D matrix code (QR code) on the nameplate.

Standard documentation

Brief Operating Instructions

| Measuring device | Documentation code |
|------------------|--------------------|
| Prowirl F 200 | KA01136D |

Operating Instructions

| Measuring device | Documentation code | | |
|------------------|--------------------|---------------------|-------------|
| | HART | FOUNDATION Fieldbus | PROFIBUS PA |
| Prowirl F 200 | BA01154D | BA01217D | BA01222D |

Description of device parameters

| Measuring device | Documentation code | | |
|------------------|--------------------|---------------------|-------------|
| | HART | FOUNDATION Fieldbus | PROFIBUS PA |
| Prowirl 200 | GP01019D | GP01024D | GP01023D |

Supplementary device-dependent documentation

Safety Instructions

| Contents | Documentation code |
|-------------------------|--------------------|
| ATEX/IECEX Ex d, Ex tb | XA01148D |
| ATEX/IECEX Ex ia, Ex tb | XA01151D |
| ATEX/IECEX Ex ic, Ex nA | XA01152D |
| cCSA _{US} XP | XA01153D |
| cCSA _{US} IS | XA01154D |
| NEPSI Ex d | XA01238D |
| NEPSI Ex i | XA01239D |
| NEPSI Ex ic, Ex nA | XA01240D |
| INMETRO Ex d | XA01250D |
| INMETRO Ex i | XA01042D |
| INMETRO Ex nA | XA01043D |

Special Documentation

| Contents | Documentation code |
|--|--------------------|
| Information on the Pressure Equipment Directive | SD01163D |
| Functional Safety Manual | SD01162D |
| Heartbeat Technology | SD01204D |
| Natural gas | SD01194D |
| Air + Industrial Gases (Single Gas + Gas Mixtures) | SD01195D |
| Wet steam detection | SD01193D |
| Wet steam measurement | SD01315D |
| Inlet run correction | SD01226D |

Installation Instructions

| Contents | Documentation code |
|---|--|
| Installation Instructions for spare part sets | Specified for each individual accessory → 92 |

Registered trademarks

HART®

Registered trademark of the HART Communication Foundation, Austin, USA

PROFIBUS®

Registered trademark of the PROFIBUS User Organization, Karlsruhe, Germany

FOUNDATION™ Fieldbus

Registration-pending trademark of the Fieldbus Foundation, Austin, Texas, USA

KALREZ® , VITON®

Registered trademarks of DuPont Performance Elastomers L.L.C., Wilmington, DE USA

GYLON®

Registered trademark of Garlock Sealing Technologies, Palmyra, NY, USA

Applicator® , FieldCare® , DeviceCare® , Field Xpert™ , HistoROM® , Heartbeat Technology™

Registered or registration-pending trademarks of the Endress+Hauser Group

www.addresses.endress.com
