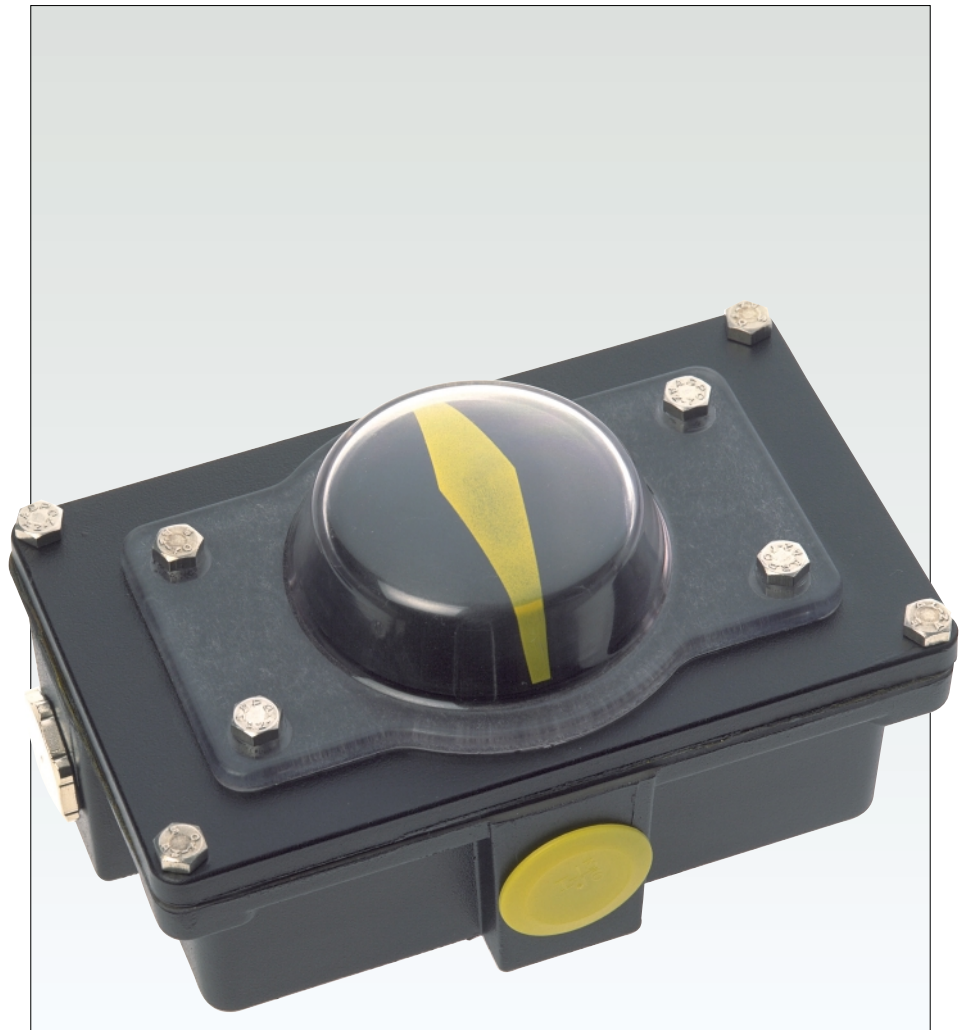


The well proven design of the Keystone F792 Low Profile Switchbox has been upgraded to simplify switch setting, site wiring and weatherproof integrity.

#### Features

- Suitable for direct mounting to all Keystone actuators
- Simple screw driver cam setting.
- Independently, top adjustable cams, accessible at all angles of opening.
- Infinitely adjustable.
- Cams firmly locked after adjustment.
- Cams specially designed to operate either V9 microswitches or proximity sensors.
- Switches prewired to terminal strip.
- Cable entries: 2-off Pg 13.5.
- General purpose weatherproof enclosure to IP65 rating.
- Anodised and ESPC\* aluminium enclosure provides full environmental protection.
- Readily adaptable to suit all rotary actuators.
- Terminal strip angled for easy wiring.
- Improved clearly visible local indicator.
- Direct mounted High Visibility Indicator - optional.

\* Electro static powder coating.



#### General Applications

The low profile switchbox is designed for direct mounting onto the full range of Keystone pneumatic actuators. The direct coupling to the actuator shaft ensures an accurate representation of valve position.

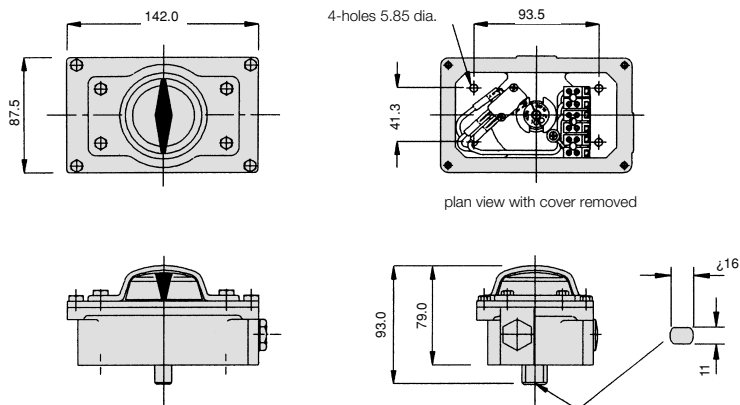
#### Options

1. Low profile switchbox with two V9 microswitches.
2. Low profile switchbox with inductive proximity sensors.

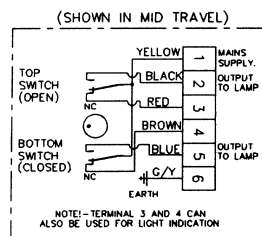
# Keystone Figure 792 Switchbox - Namur version

low profile with top adjusting cams

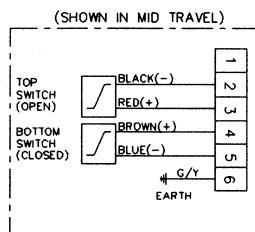
## Dimensions



## Wiring diagrams



Option1. low profile switchbox with two V9 microswitches



Option 2. low profile switchbox with two inductive proximity sensors

## Ratings for V9 microswitches

Voltage (volts)	Resistive load (amps)	Tungsten lamp load (amps)		Inductive load (amps)
		NC	NO	
<b>AC</b>				
125	10	2	1	10
250	10	1.5	1	10
<b>DC</b>				
Up to 15	15	3	1.5	15
30	10	3	1.5	10
50	3	0.8	0.8	2.5
75	1	0.6	0.6	0.5
125	0.5	0.5	0.5	0.07
250	0.25	0.25	0.25	0.03

## Materials of construction

Body	: die cast aluminium LM24 (anodised and ESPC*)
Cover	: die cast aluminium LM24 (anodised and ESPC*)
Dome	: Ektar (DN004 copolyester)
Cams	: acetal
Shaft	: stainless steel
Position	: A.B.S. - (acrylonitrile)
Indicator	: butadene styrene

\* Electro static powder coating.

## Proximity switch details

Type	: Pepperl & Fuchs NJ2-V3-N or as specified
Sensing distance	: 2mm maximum (metal face). NB. Seperate amplifier required.
Supply	: 8V DC (Ri approx. 1kOhm)
Repetition	: ≤ 0.01mm
Hysteresis	: ≤ 0.05mm Typ 3%
Output	: Sensor absent - 3mA or above Sensor present - 1mA or below Switch rate - 1kHz maximum

## Operation specification

Temperature range: -25°C to + 70°C

## Enclosures

All switchboxes are weatherproof to IP65 minimum.