

# HONEYWELL ELSTER HR PN 0.1

Gas pressure regulator  
Inlet pressure 100 mbar  
DN 25, 32, 40, 50, 65, 80, 100

## Applications:

Pressure reducing for:

- utilisation
- domestic application

## Brief information:

The HR series of service regulators is intended for use with several meters in small, medium and large consumption units. They are available with or without an integrated low-pressure cut-off valve, which has an automatic reset.

The units are DVGW approved according to DIN 33822.

Registration number: NG-4330CL0336.

## Technical Data:

- Inlet pressure range  $p_u$  22 mbar to 100 mbar
  - Outlet pressure range  $p_{ds}$  18 to 50 mbar
  - Design with low pressure cut-off  $p_{ds}$  18 to 30 mbar (HR 25/32)  
(different setting springs necessary)
  - Minimum differential pressure  $\Delta p_{min}$  4 mbar
- Omnidirectional installation horizontal/vertical.

### Pressure ranges & accuracy classes

Type / Diameter	HR 25	HR 32	HR 40	HR 50	HR 65	HR 80	HR 100
Control pressure range	18 – 50 (GMS: 18–30)		18 – 50				
Control accuracy class	AC 10						
Look up pressure class	SG 30						

## Ordering Example:

HR 25 S with low pressure cut-off

- Inlet pressure ... to ... mbar
- Outlet pressure ... mbar
- Orientation

## Design:

HR... Standard design without low pressure cut-off

HR...S Design with low pressure cut-off



## Main Features

- Fully inlet pressure balanced
  - Inlet pressure resistant up to 16 bar
  - Excellent outlet pressure control
  - Minimum differential pressure 4 mbar
  - Firesafe according to DIN 33822
  - Operation temperature -20 °C to +60 °C
  - Safety diaphragm
  - Omnidirectional installation horizontal/vertical
  - Tamper-proof
    - crimped (DN 25 – DN 32)
    - screwed (DN 40 – DN 50)
  - Housing cathodic immersion coated
  - Sieve in inlet
- ## Options
- Low pressure cut-off
  - Flood resistant

# HR PN 0.1

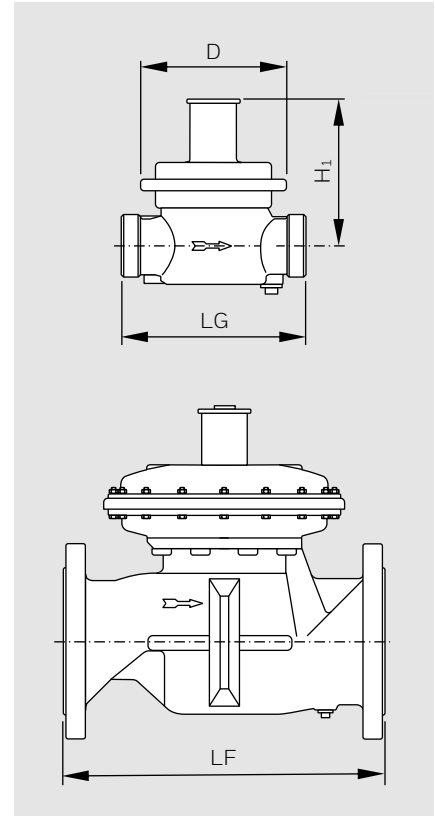
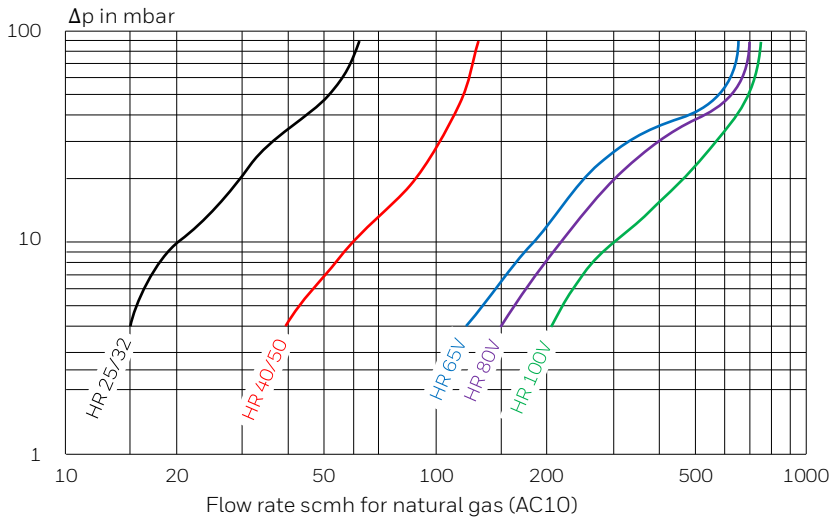
Gas pressure regulator, inlet pressure 100 mbar, DN 25, 32, 40, 50, 65, 80, 100

## Technical data and dimensions

Type	Capacities natural gas [m <sup>3</sup> /h]		Connections			Dimensions [mm]				Weight [kg]
	Q <sub>max, pu min</sub>	Q <sub>max, pu max</sub>	Line	Threaded	Flanged	LG	LF	H <sub>1</sub>	D	
HR 25	15	62	DN 25	G 1½	-	140	-	110	111	app 1.7
HR 32	15	62	DN 32	G 2	-	140	-	110	111	app 1.9
HR 40	40	130	DN 40	G 2¼	-	210	-	158	185	app 4.0
HR 50	45	150	DN 50	G 2¾	-	210	-	158	185	app 4.2
HR 65 V	120	640	DN 65	-	PN 16	-	310	259	262	app 22.2
HR 80 V	150	700	DN 80	-	PN 16	-	310	259	262	app 23.2
HR 100 V	205	750	DN 100	-	PN 16	-	350	259	262	app 28.0

Flanges to EN 1092-2, form B; thread to ISO 228-1

## Maximum Capacity



## Your Contacts

[www.smartenergy.honeywell.com](http://www.smartenergy.honeywell.com)

## Honeywell | Smart Energy

Germany  
 Elster GmbH  
 Steinern St. 19 – 21  
 55252 Mainz -Kastel  
 T +49 6134 605 0  
[gas-mainz-se@honeywell.com](mailto:gas-mainz-se@honeywell.com)