

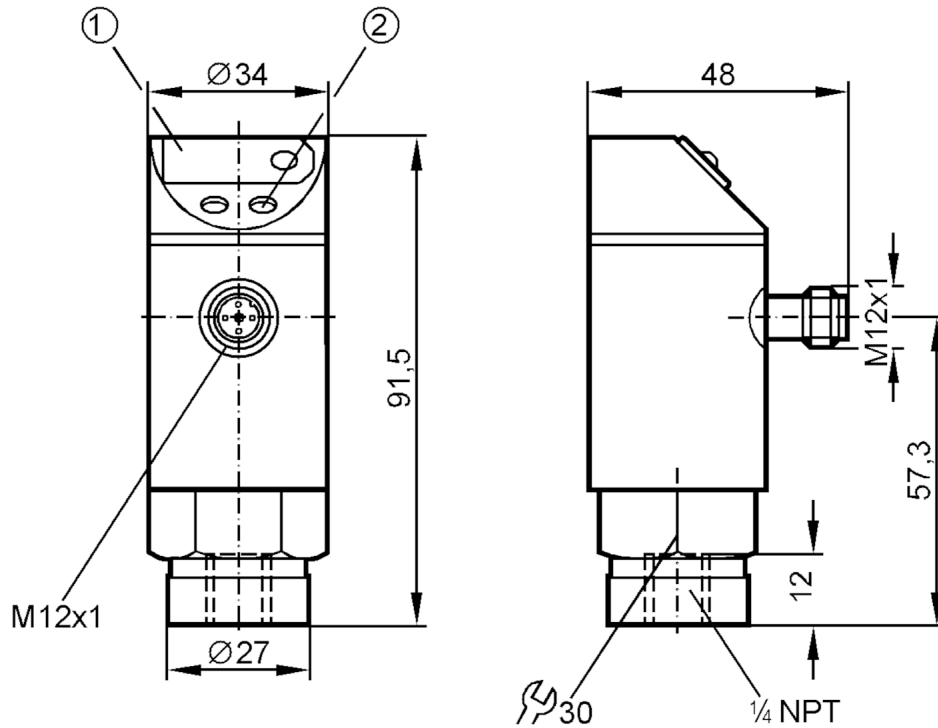
PE3220



Pressure sensor with display

PE-600PSBN14-KFPKG/US/ /E

Article no longer available - archive entry



- 1 7-segment LED display
- 2 programming button



Product characteristics

Number of inputs and outputs	Number of digital outputs: 1; Number of analogue outputs: 1
Measuring range [psi]	0...6000
Process connection	threaded connection 1/4" NPT external thread

Application

Application	for industrial applications
Media	liquids and gases
Conditionally suitable for	For gaseous media the application is limited to max. 25 bar.
Cannot be used for	oils
Medium temperature [°C]	-25...80
Min. bursting pressure	14000 psi / 96.5 MPa
Pressure rating	8500 psi / 58.6 MPa
Type of pressure	relative pressure

Electrical data

Operating voltage [V]	20...30 DC
Current consumption [mA]	< 60
Protection class	II
Reverse polarity protection	yes
Power-on delay time [s]	0.2
Integrated watchdog	yes

PE3220



Pressure sensor with display

PE-600PSBN14-KFPKG/US/ /E

Inputs / outputs										
Number of inputs and outputs	Number of digital outputs: 1; Number of analogue outputs: 1									
Outputs										
Total number of outputs	2									
Output signal	switching signal; analogue signal; (configurable)									
Electrical design	PNP									
Number of digital outputs	1									
Max. voltage drop switching output DC [V]	2									
Permanent current rating of switching output DC [mA]	250									
Number of analogue outputs	1									
Analogue current output [mA]	4...20									
Max. load [Ω]	500									
Short-circuit protection	yes									
Type of short-circuit protection	pulsed									
Overload protection	yes									
Measuring/setting range										
Measuring range [psi]	0...6000									
Set point SP [psi]	60...6000									
Reset point rP [psi]	30...5970									
In steps of [psi]	30									
Accuracy / deviations										
Switch point accuracy [% of the final value]	< ± 1,5									
Repeatability [% of the final value]	< ± 0,25; (with temperature fluctuations < 10 K)									
Characteristics deviation [% of the final value]	< ± 1,0									
Temperature drift per 10 K	< ± 0.3									
Response times										
Switching frequency for a given set response time of one output	Response time (dAP) [ms]	3	6	10	17	30	60	125	250	500
	Switching frequency [Hz]	170	80	50	30	16	8	4	2	1
Response time [ms]	at rectangular pressure characteristic; switch point (SPx) = 70 %; reset point (rPx) = 30 %									
Delay time programmable dS, dr [s]	0, 0,2,...10, 11,...50									
Max. response time analogue output [ms]	3									
Software / programming										
Adjustment of the switch point	programming button									
Operating conditions										
Ambient temperature [°C]	-25...80									

PE3220



Pressure sensor with display

PE-600PSBN14-KFPKG/US/ /E

Storage temperature	[°C]	-40...100
Protection		IP 67

Tests / approvals

EMC	EN 61000-4-2 ESD	4 kV CD / 8 kV AD
	EN 61000-4-3 HF radiated	10 V/m
	EN 61000-4-4 Burst	2 kV
	EN 61000-4-6 HF conducted	10 V
Shock resistance	DIN IEC 68-2-27	50 g (11 ms)
Vibration resistance	DIN IEC 68-2-6	20 g (10...2000 Hz)

Mechanical data

Materials	EPDM/X; FKM; NBR; PBT; PC; stainless steel (304/1.4301)
Materials (wetted parts)	EPDM/X; ceramics; stainless steel (303/1.4305)
Min. pressure cycles	100 million
Process connection	threaded connection 1/4" NPT external thread

Displays / operating elements

Display	switching status	LED, red
	function display	7-segment LED display
	measured values	7-segment LED display

Remarks

Pack quantity	1 pcs.
---------------	--------

Electrical connection

Connector: 1 x M12; coding: A



Connection

