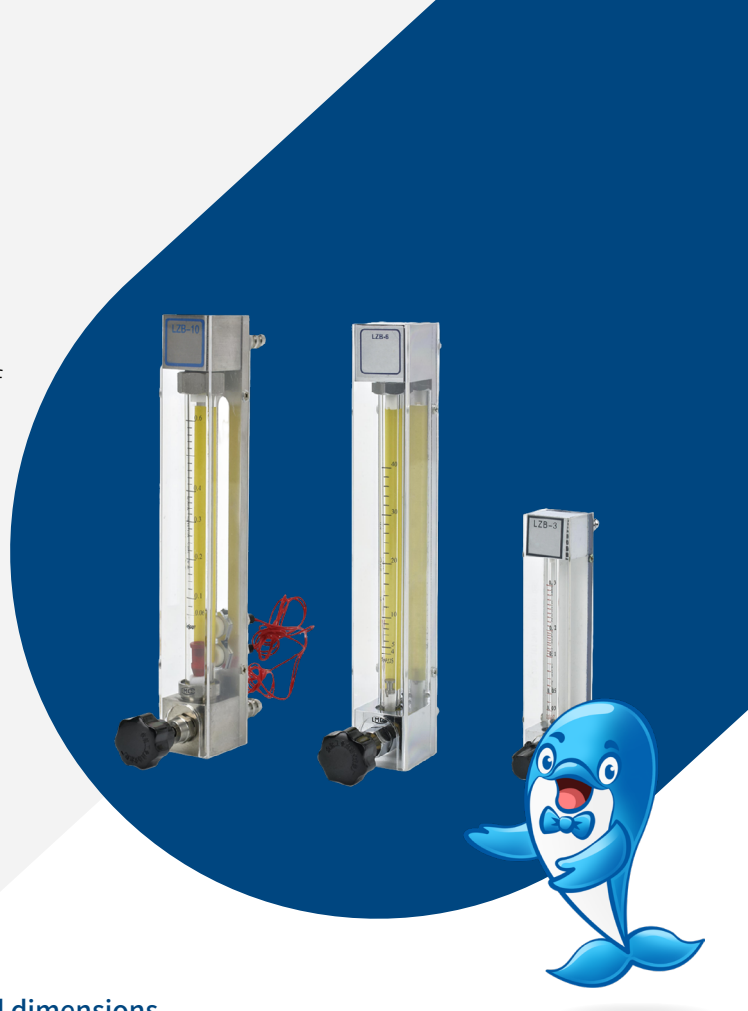
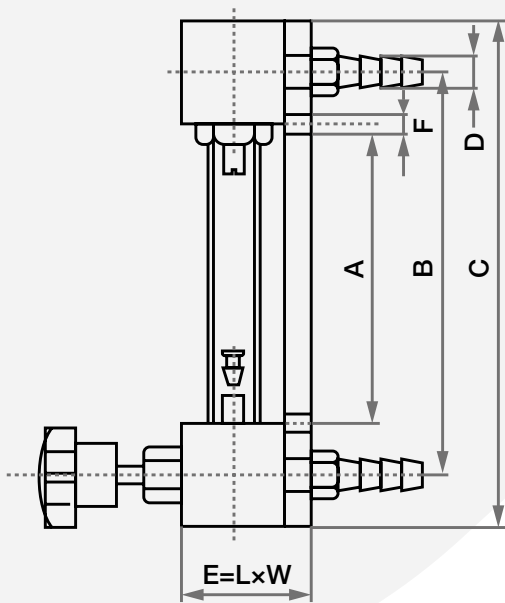


LZB-3, 4, 6, 10 Series Rotameter

The default base of LZB-3, 4, 6, 10 series rotameters is made of brass chrome, and the seals are made of NBR. If other materials are required, please specify. They are widely used in laboratory, light industry, paper making, textile, printing and other industries.



Drawing and dimensions

Model	Dimensions (mm)					
	A	B	C	D	E	F
SR LZB-3	-	116	136	φ 8	26×26	-
SR LZB-4	178	204	234	φ 9	39.5×34	2-M6
SR LZB-6	178	204	234	φ 9	39.5×34	2-M6
SR LZB-10	178	208	238	φ 12	39.5×34	2-M6

Technical parameters

Model		SR LZB-3	SR LZB-4	SR LZB-6	SR LZB-10
Nominal Diameter (mm)		φ 3	φ 4	φ 6	φ 10
Measurement Range	Liquid (L/h)	2.5-25 mL/min	1-10	*1-10	6-60
		4-40 mL/min	1.6-16	*100-800 mL/min	10-100
		6-60 mL/min	1.6-16	2.5-25	10-100
		*10-80 mL/min	2.5-25	4-40	16-160
		10-100 mL/min	*3.6-36	6-60	*25-250
		*0.3-3 L/h	-	-	-
	Gas (Nm ³ /h)	0.03-0.3 L/min	*0.2-2.5 L/min	0.04-0.4	0.1-1
		0.06-0.6 L/min	*0.2-2.5 L/min	0.04-0.4	0.16-1.6
		0.1-1 L/min	0.016-0.16	0.06-0.6	0.25-2.5
		0.15-1.5 L/min	0.025-0.25	*1-10 L/min	*5-50 L/min
		*0-100 L/h	0.04-0.4	0.1-1	*0.5-5
		-	-	-	*0.6-6
		-	-	-	*0.6-7
		-	-	-	-
Accuracy (±%)		4, 6	2.5, 4	2.5	2.5
Operating Pressure (MPa)		≤0.6	≤1	≤1	≤1
Operating Temperature (°C)		0-60 °C			

Note: Flow rates marked with "*" are special flow rates