

# Technical Information

## TR15, TC15

Modular thermometer with extension neck, barstock thermowell, available with a flange or as a weld-in unit



TR15 Resistance thermometer (RTD)  
TC15 Thermometer with thermocouple (TC)

### Application

- Universal range of application
- Particularly suitable for steam and gas applications with high process pressures and temperatures
- Measuring range:
  - Resistance insert (RTD): -200 to 600 °C (-328 to 1 112 °F)
  - Thermocouple (TC): -40 to 1 100 °C (-40 to 2 012 °F)
- Static pressure range up to 400 bar (5 800 psi)
- Degree of protection up to IP68

### Head transmitter

All Endress+Hauser transmitters are available with enhanced accuracy and reliability compared to directly wired sensors. Easy customizing by choosing one of the following outputs and communication protocols:

- Analog output 4 to 20 mA
- HART®
- PROFIBUS® PA
- FOUNDATION Fieldbus™

### Your benefits

- High degree of flexibility thanks to modular design with standard terminal heads as per DIN EN 50446 and customer-specific immersion lengths
- High compatibility with a design according to DIN 43772
- Extension neck to protect the head transmitter from overheating
- Fast response time with reduced/tapered tip form
- Types of protection for use in hazardous locations:
  - Intrinsic Safety (Ex ia)
  - Non-sparking (Ex nA)

## Table of contents

<b>Function and system design</b> .....	<b>3</b>
Measuring principle .....	3
Measuring system .....	4
Design .....	5
Measuring range .....	5
<b>Input</b> .....	<b>5</b>
Measured variable .....	5
Measuring range .....	5
<b>Output</b> .....	<b>6</b>
Output signal .....	6
Family of temperature transmitters .....	6
<b>Power supply</b> .....	<b>6</b>
Cable entries .....	9
Overvoltage protection .....	10
<b>Performance characteristics</b> .....	<b>10</b>
Operating conditions .....	10
Accuracy .....	12
Response time .....	13
Insulation resistance .....	14
Dielectric strength .....	14
Self heating .....	15
Calibration .....	15
Material .....	16
<b>Installation</b> .....	<b>18</b>
Orientation .....	18
Installation instructions .....	18
Extension neck length .....	19
<b>Mechanical construction</b> .....	<b>19</b>
Terminal heads .....	19
Design .....	23
Insert .....	24
Weight .....	24
Process connection .....	25
Spare parts .....	25
<b>Certificates and approvals</b> .....	<b>25</b>
Other standards and guidelines .....	25
Material certification .....	25
Thermowell testing .....	25
<b>Ordering information</b> .....	<b>25</b>
<b>Accessories</b> .....	<b>26</b>
Service-specific accessories .....	26
<b>Supplementary documentation</b> .....	<b>27</b>

---

## Function and system design

---

### Measuring principle

#### Resistance thermometer (RTD)

These resistance thermometers use a Pt100 temperature sensor according to IEC 60751. The temperature sensor is a temperature-sensitive platinum resistor with a resistance of 100  $\Omega$  at 0 °C (32 °F) and a temperature coefficient  $\alpha = 0.003851 \text{ }^\circ\text{C}^{-1}$ .

**There are generally two different kinds of platinum resistance thermometers:**

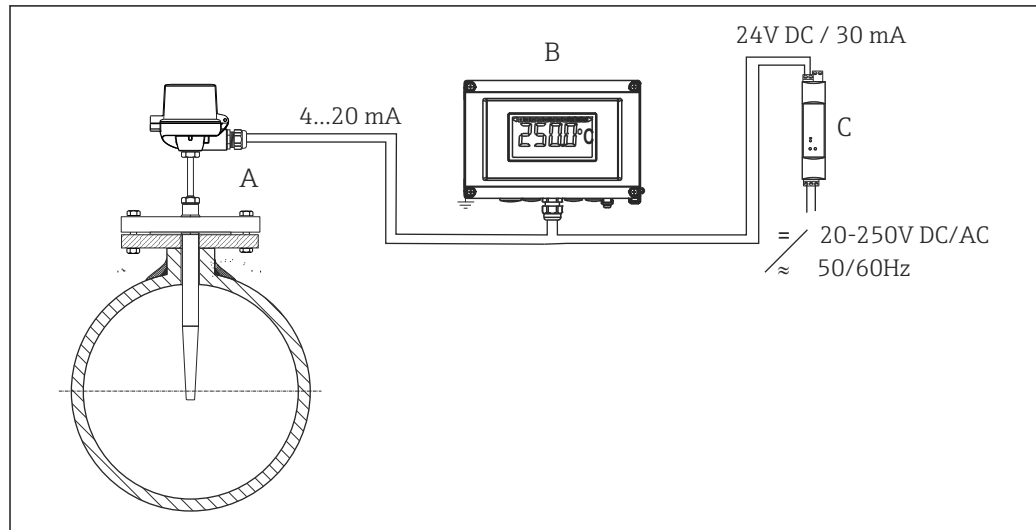
- **Wire wound (WW):** Here, a double coil of fine, high-purity platinum wire is located in a ceramic support. This is then sealed top and bottom with a ceramic protective layer. Such resistance thermometers not only facilitate very reproducible measurements but also offer good long-term stability of the resistance/temperature characteristic within temperature ranges up to 600 °C (1 112 °F). This type of sensor is relatively large in size and it is comparatively sensitive to vibrations.
- **Thin film platinum resistance thermometers (TF):** A very thin, ultrapure platinum layer, approx. 1  $\mu\text{m}$  thick, is vaporized in a vacuum on a ceramic substrate and then structured photolithographically. The platinum conductor paths formed in this way create the measuring resistance. Additional covering and passivation layers are applied and reliably protect the thin platinum layer from contamination and oxidation, even at high temperatures.

The primary advantages of thin film temperature sensors over wire wound versions are their smaller sizes and better vibration resistance. A relatively low principle-based deviation of the resistance/temperature characteristic from the standard characteristic of IEC 60751 can frequently be observed among TF sensors at high temperatures. As a result, the tight limit values of tolerance category A as per IEC 60751 can only be observed with TF sensors at temperatures up to approx. 300 °C (572 °F).

#### Thermocouples (TC)

Thermocouples are comparatively simple, robust temperature sensors which use the Seebeck effect for temperature measurement: if two electrical conductors made of different materials are connected at a point, a weak electrical voltage can be measured between the two open conductor ends if the conductors are subjected to a thermal gradient. This voltage is called thermoelectric voltage or electromotive force (emf.). Its magnitude depends on the type of conducting materials and the temperature difference between the "measuring point" (the junction of the two conductors) and the "cold junction" (the open conductor ends). Accordingly, thermocouples primarily only measure differences in temperature. The absolute temperature at the measuring point can be determined from these if the associated temperature at the cold junction is known or is measured separately and compensated for. The material combinations and associated thermoelectric voltage/temperature characteristics of the most common types of thermocouple are standardized in the IEC 60584 and ASTM E230/ANSI MC96.1 standards.

## Measuring system

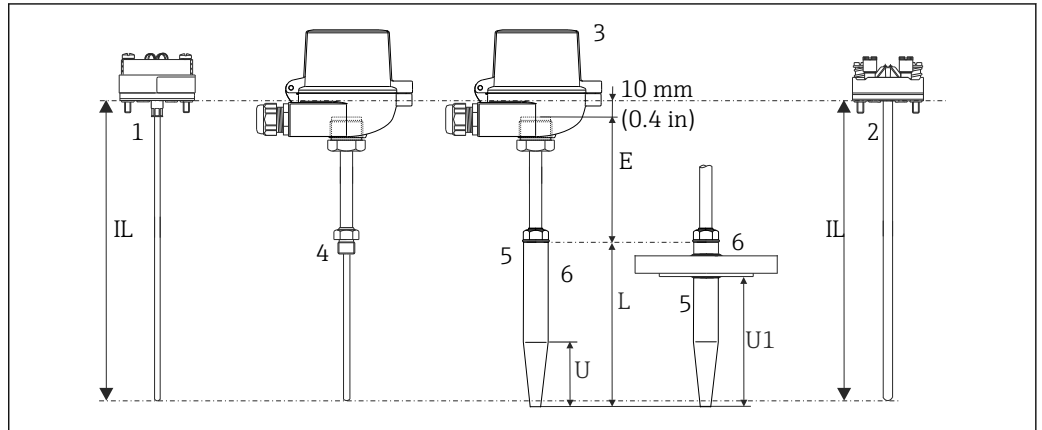


A0010494

1 Application example

- A Mounted thermometer with head transmitter installed.
- B RIA16 field display unit - The display unit records the analog measuring signal from the head transmitter and shows this on the display. The LC display shows the current measured value in digital form and as a bar graph indicating a limit value violation. The indicator is looped into the 4 to 20 mA circuit and gets the required energy from there. More information on this can be found in the Technical Information (see "Documentation").
- C RN221: 1- or 2-channel active barrier for separation of 0/4 to 20 mA standard signal circuits, optionally available as a signal duplicator, 24 V DC. HART-transparent
- C RN42: 1-channel active barrier with wide range power supply for safe separation of 0/4 to 20 mA standard signal circuits, HART-transparent

Design



A0011012

2 Thermometer design

- 1 Insert with mounted head transmitter (example with  $\varnothing 3$  mm (0.12 in))
- 2 Insert with mounted ceramic terminal block (example with  $\varnothing 6$  mm (0.24 in))
- 3 Terminal head
- 4 Version without thermowell
- 5 Thermowell from barstock material
- 6 Process connection: with or without a flange
- E Extension neck length
- L Total thermowell length
- IL Insertion length
- U Length of conical tip
- U1 Immersion length; length of the part of the thermowell in contact with the process from the tip to the sealing surface of the flange

The TR15 and TC15 thermometers have a modular design. The terminal head is used as a connection module for the mechanical and electrical connection of the insert. The position of the actual thermometer sensor in the insert ensures that it is mechanically protected. The insert can be replaced or calibrated without interrupting the process. Either ceramic terminal blocks or transmitters can be fitted to the internal terminal block. The thermowell is made from barstock and is available with diameters measuring 18, 24 or 26 mm (0.71, 0.94 or 1.02 in). The tip of the thermowell is tapered. The thermometers are installed in the system (pipe or tank) using a flange connection or by welding them in place → 18.

Measuring range

- RTD: -200 to 600 °C (-328 to 1 112 °F)
- TC: -40 to 1 100 °C (-40 to 2 012 °F)

Input

Measured variable

Temperature (temperature-linear transmission behavior)

Measuring range

Depends on the type of sensor used

Sensor type	Measuring range
Pt100 thin-film	-50 to +400 °C (-58 to +752 °F)
Pt100 thin-film, iTHERM StrongSens, vibration-resistant > 60g	-50 to +500 °C (-58 to +932 °F)
Pt100 wire wound, extended measuring range	-200 to +600 °C (-328 to +1 112 °F)
Thermocouple TC, type J	-40 to +750 °C (-40 to +1 382 °F)
Thermocouple TC, type K	-40 to +1 100 °C (-40 to +2 012 °F)

## Output

### Output signal

Generally, the measured value can be transmitted in one of two ways:

- Directly-wired sensors - sensor measured values forwarded without a transmitter.
- By selecting the corresponding Endress+Hauser iTEMP temperature transmitter via all common protocols. All the transmitters listed below are mounted directly in the terminal head and wired with the sensory mechanism.

### Family of temperature transmitters

Thermometers fitted with iTEMP transmitters are an installation-ready complete solution to improve temperature measurement by significantly increasing accuracy and reliability, when compared to direct wired sensors, as well as reducing both wiring and maintenance costs.

#### 4 to 20 mA head transmitters

They offer a high degree of flexibility, thereby supporting universal application with low inventory storage. The iTEMP transmitters can be configured quickly and easily at a PC. Endress+Hauser offers free configuration software which can be downloaded from the Endress+Hauser Website.

#### HART® head transmitters

The transmitter is a 2-wire device with one or two measuring inputs and one analog output. The device not only transfers converted signals from resistance thermometers and thermocouples, it also transfers resistance and voltage signals using HART® communication. Swift and easy operation, visualization and maintenance using universal configuration software like FieldCare, DeviceCare or FieldCommunicator 375/475. Integrated Bluetooth® interface for the wireless display of measured values and configuration via E+H SmartBlue (app), optional.

#### PROFIBUS® PA head transmitters

Universally programmable head transmitter with PROFIBUS® PA communication. Conversion of various input signals into digital output signals. High accuracy over the complete ambient temperature range. PROFIBUS PA functions and device-specific parameters are configured via fieldbus communication.

#### FOUNDATION Fieldbus™ head transmitters

Universally programmable head transmitter with FOUNDATION Fieldbus™ communication. Conversion of various input signals into digital output signals. High accuracy over the complete ambient temperature range. All transmitters are approved for use in all the main distributed control systems. The integration tests are performed in Endress+Hauser's 'System World'.

#### Head transmitter with PROFINET® and Ethernet-APL

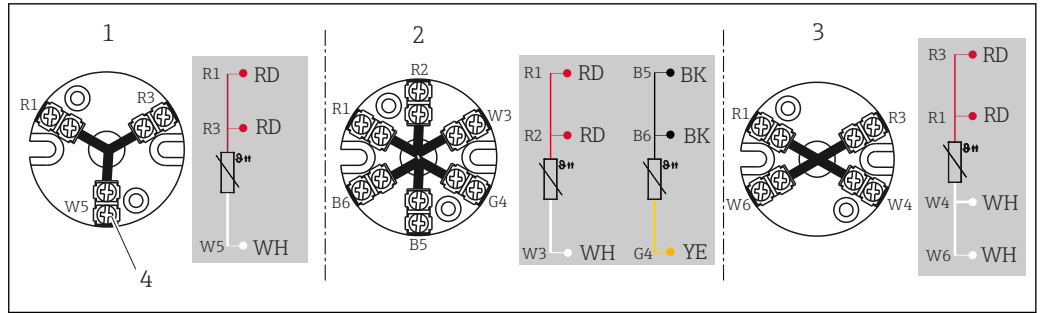
The temperature transmitter is a 2-wire device with two measuring inputs. The device not only transfers converted signals from resistance thermometers and thermocouples, it also transfers resistance and voltage signals using the PROFINET® protocol. Power is supplied via the 2-wire Ethernet connection according to IEEE 802.3cg 10Base-T1. The transmitter can be installed as an intrinsically safe electrical apparatus in Zone 1 hazardous areas. The device can be used for instrumentation purposes in the terminal head form B (flat face) according to DIN EN 50446.

Advantages of the iTEMP transmitters:

- Dual or single sensor input (optionally for certain transmitters)
- Attachable display (optionally for certain transmitters)
- Unsurpassed reliability, accuracy and long-term stability in critical processes
- Mathematical functions
- Monitoring of the thermometer drift, sensor backup functionality, sensor diagnostic functions
- Sensor-transmitter-matching for dual-channel transmitters, based on the Callendar van Dusen coefficients (CvD).

## Power supply

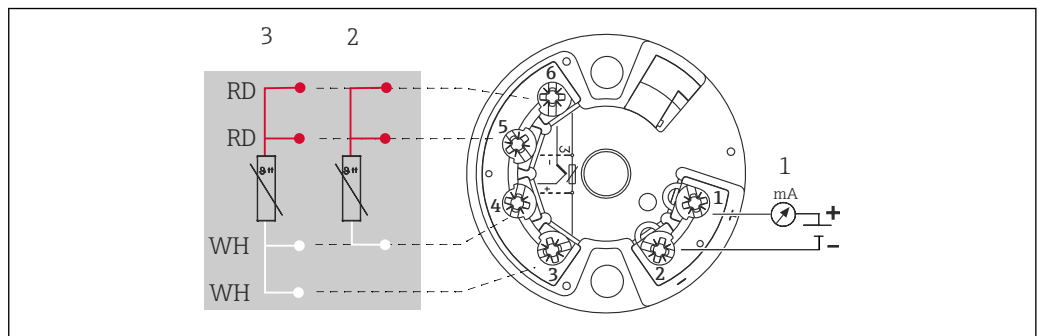
### Type of sensor connection RTD



A0045453

3 Terminal block mounted

- 1 3-wire, single
- 2 2 x 3-wire, single
- 3 4-wire, single
- 4 Outside screw

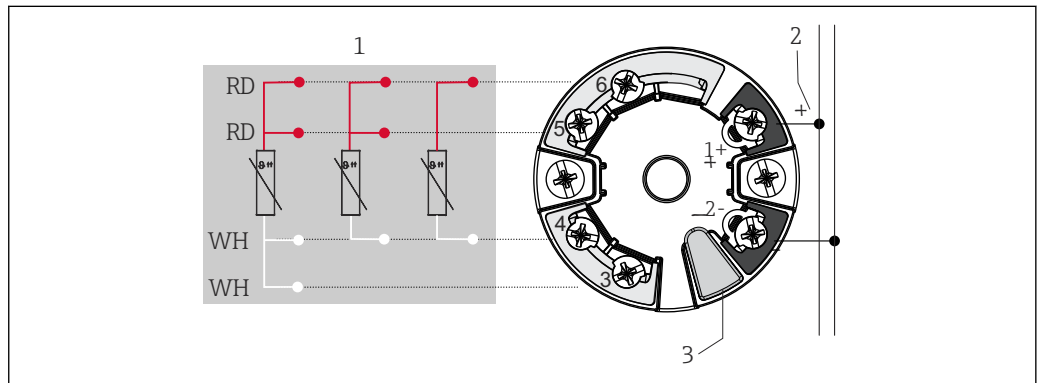


A0045600

4 Head mounted transmitter TMT18x (single sensor input)

- 1 Power supply for head transmitter and analog output 4 to 20 mA or fieldbus connection
- 2 RTD, 3-wire
- 3 RTD, 4-wire

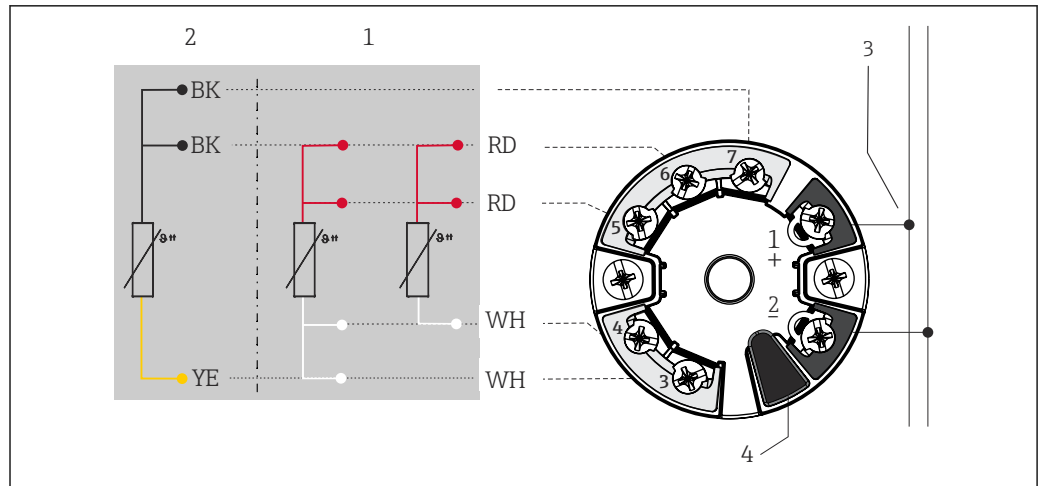
Only available with screw terminals



A0045464

5 Head mounted transmitter TMT7x or TMT31 (single input)

- 1 Sensor input, RTD and  $\Omega$ : 4-, 3- and 2-wire
- 2 Power supply or fieldbus connection
- 3 Display connection/CDI interface

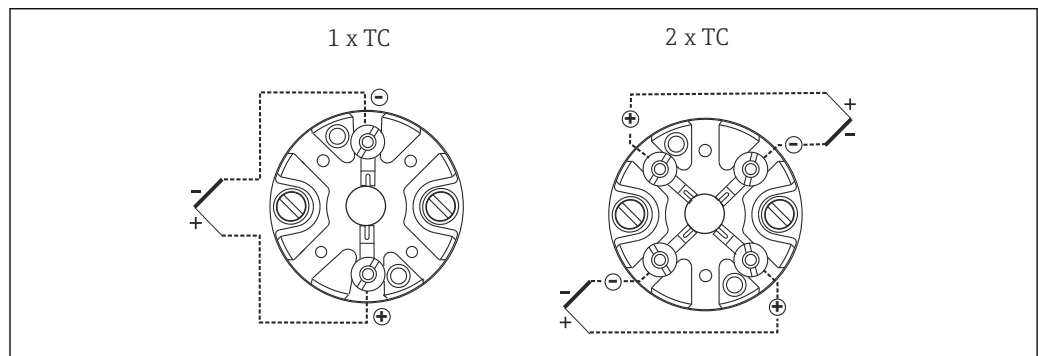


A0045466

6 Head mounted transmitter TMT8x (dual-sensor input)

- 1 Sensor input 1, RTD: 4- and 3-wire
- 2 Sensor input 2, RTD: 3-wire
- 3 Power supply or fieldbus connection
- 4 Display connection

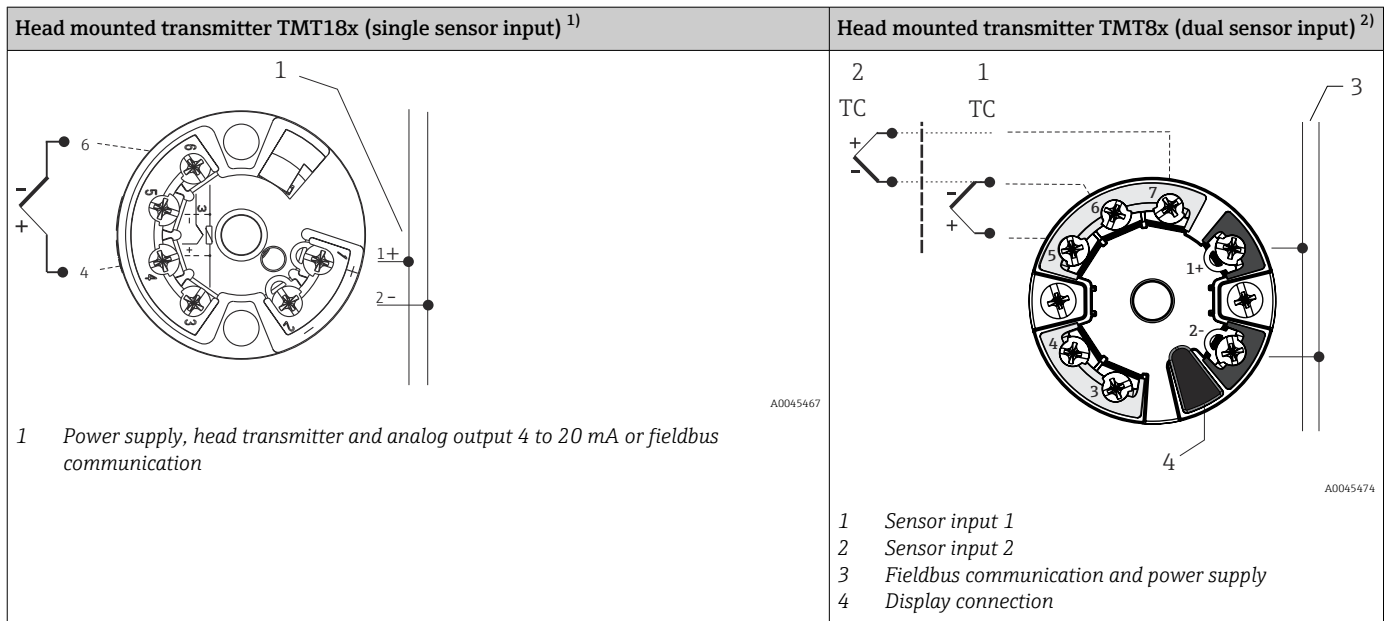
**Type of sensor connection thermocouple (TC)**



A0012700

7 Terminal block mounted





- 1) Fitted with screw terminals
- 2) Fitted with spring terminals if screw terminals are not explicitly selected or a double sensor is installed.

*Thermocouple wire colors*

As per IEC 60584	As per ASTM E230
<ul style="list-style-type: none"> <li>▪ Type J: black (+), white (-)</li> <li>▪ Type K: green (+), white (-)</li> <li>▪ Type N: pink (+), white (-)</li> </ul>	<ul style="list-style-type: none"> <li>▪ Type J: white (+), red (-)</li> <li>▪ Type K: yellow (+), red (-)</li> <li>▪ Type N: orange (+), red (-)</li> </ul>

**Cable entries**

See "Terminal heads" section

The cable entries must be selected during device configuration. Different terminal heads offer different options in terms of the thread and number of available cable entries.

**Connectors**

Endress+Hauser offers a wide variety of connectors for the simple and fast integration of the thermometer into a process control system. The following tables show the PIN assignments of the various plug connector combinations.

**i** We advise against connecting thermocouples directly to connectors. The direct connection to the pins of the plug might generate a new 'thermocouple' which influences the accuracy of the measurement. Therefore we do not connect thermocouples directly to connectors. The thermocouples are connected in conjunction with a transmitter.

*Abbreviations*

#1	Order: first transmitter/insert	#2	Order: second transmitter/insert
i	Insulated. Wires marked 'i' are not connected and are insulated with heat shrink tubes.	YE	Yellow
GND	Grounded. Wires marked 'GND' are connected to the internal grounding screw in the terminal head.	RD	Red
BN	Brown	WH	White
GNYE	Green-yellow		
BU	Blue		
GY	Gray		

## Terminal head with one cable entry

Connector	1x PROFIBUS PA								1x FOUNDATION™ Fieldbus (FF)			
Plug thread	M12				7/8"				7/8"			
PIN number	1	2	3	4	1	2	3	4	1	2	3	4
Electrical connection (terminal head)												
Flying leads and TC	Not connected (not insulated)											
3-wire terminal block (1x Pt100)	RD	RD	WH		RD	RD	WH		RD	RD	WH	
4-wire terminal block (1x Pt100)			WH	WH			WH	WH			WH	WH
6-wire terminal block (2x Pt100)	RD (#1) <sup>1)</sup>	RD (#1)	WH (#1)		RD (#1)	RD (#1)	WH (#1)		RD (#1)	RD (#1)	WH (#1)	
1x TMT 4 to 20 mA or HART®	+	i	-	i	+	i	-	i	+	i	-	i
1x TMT PROFIBUS® PA	+	i	-	GND <sup>2)</sup>	+	i	-	GND <sup>2)</sup>	Cannot be combined			
1x TMT FF	Cannot be combined				Cannot be combined				-	+	GND	i
PIN position and color code	 A0018929				 A0018930				 A0018931			

1) Second Pt100 is not connected

2) If a head is used without grounding screw, e.g. plastic housing TA30S or TA30P, insulated 'i' instead of grounded GND

## Overvoltage protection

To protect against overvoltage in the power supply and signal/communication cables for the thermometer electronics, Endress+Hauser offers the HAW562 surge arrester for DIN rail mounting and the HAW569 for field housing installation.



For more information see the Technical Information "HAW562 Surge arrester" TI01012K and "HAW569 Surge arrester" TI01013K.

## Performance characteristics

## Operating conditions

## Ambient temperature range

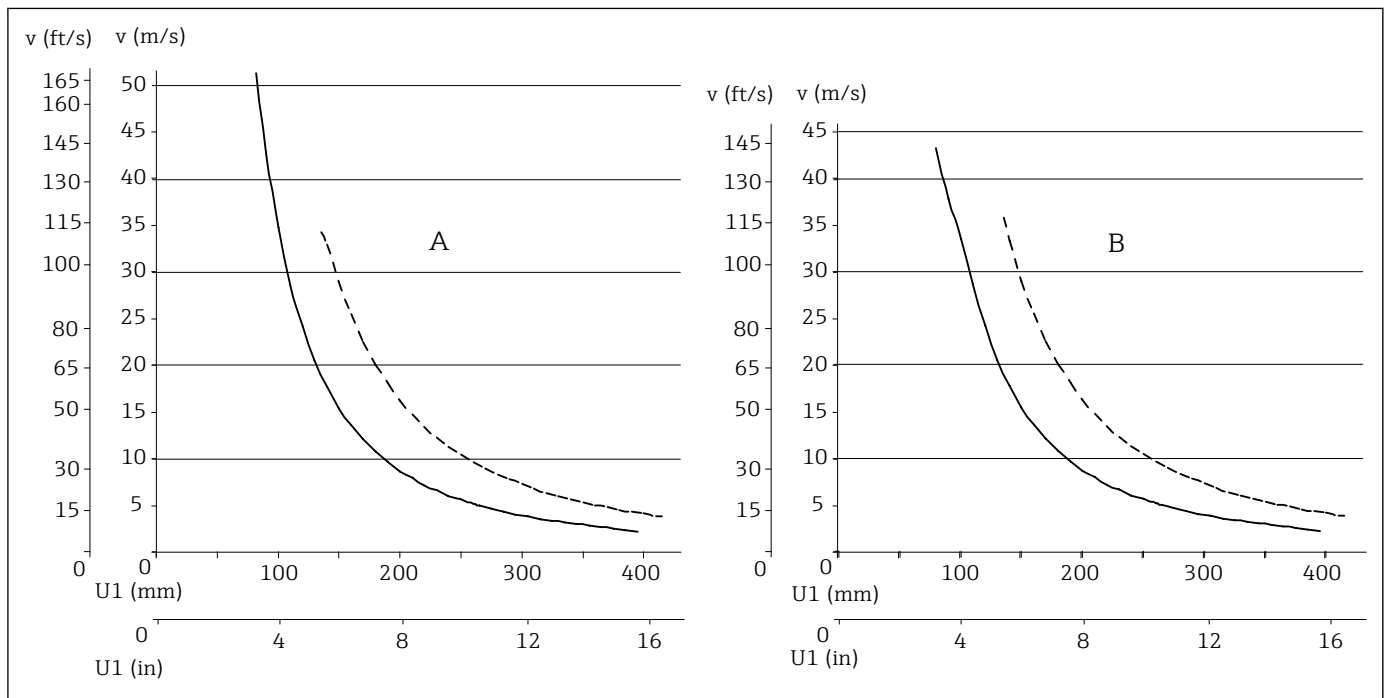
Terminal head	Temperature in °C (°F)
Without mounted head transmitter	Depends on the terminal head used and the cable gland or fieldbus connector, see 'Terminal heads' section
With mounted head transmitter	-40 to 85 °C (-40 to 185 °F)
With mounted head transmitter and display	-20 to 70 °C (-4 to 158 °F)

**Process pressure (static)**

Process connection	Standard	Max. process pressure
Weld-in version	-	≤ 400 bar (5800 psi)
Flange	EN1092-1 or ISO 7005-1	20, 40, 50, or 100 bar depending on the flange pressure rating PNxx
	ANSI B16.5	150 or 300 psi depending on the flange pressure rating
	JIS B 2220	20K, 25K or 40K depending on the flange pressure rating

**Permitted flow velocity depending on the immersion length**

The maximum flow velocity tolerated by the thermometer diminishes with increasing immersion of the thermowell in the flow of the medium being measured. The flow velocity is also dependent on the diameter of the thermometer tip, the type of medium being measured, the process temperature and pressure. The following figures exemplify the maximum permitted flow velocities in water and superheated steam at a pressure of **5 MPa (50 bar)**.



**8** Permitted flow velocity depending on the immersion length

- A Medium water at  $T = 50\text{ }^{\circ}\text{C}$  ( $122\text{ }^{\circ}\text{F}$ )
- B Medium superheated steam at  $T = 400\text{ }^{\circ}\text{C}$  ( $752\text{ }^{\circ}\text{F}$ )
- U1 Thermowell immersion length, material 1.4571 (316Ti)
- v Flow velocity
- Thermowell diameter 18 mm (0.71 in),  $U = 65\text{ mm}$  (2.56 in)
- - - Thermowell diameter 24 mm (0.94 in),  $U = 125\text{ mm}$  (4.9 in)

**Shock and vibration resistance**

The Endress+Hauser inserts exceed the requirements of IEC 60751 with regard to shock and vibration resistance of 3g in a range of 10 to 500 Hz. The vibration resistance of the measuring point depends on the sensor type and design. Refer to the following table:

Sensor type	Vibration resistance for the sensor tip
Pt100 (WW)	> 30 m/s <sup>2</sup> (3g)
Pt100 (TF), basic	
Pt100 (TF)	> 40 m/s <sup>2</sup> (4g)

Sensor type	Vibration resistance for the sensor tip
iTHERM StrongSens Pt100 (TF) iTHERM QuickSens Pt100 (TF), version: Ø6 mm (0.24 in)	> 600 m/s <sup>2</sup> (60g)
Thermocouple inserts	> 30 m/s <sup>2</sup> (3g)

**Accuracy**

Permissible deviation limits of thermoelectric voltages from standard characteristic for thermocouples as per IEC 60584 and ASTM E230/ANSI MC96.1:

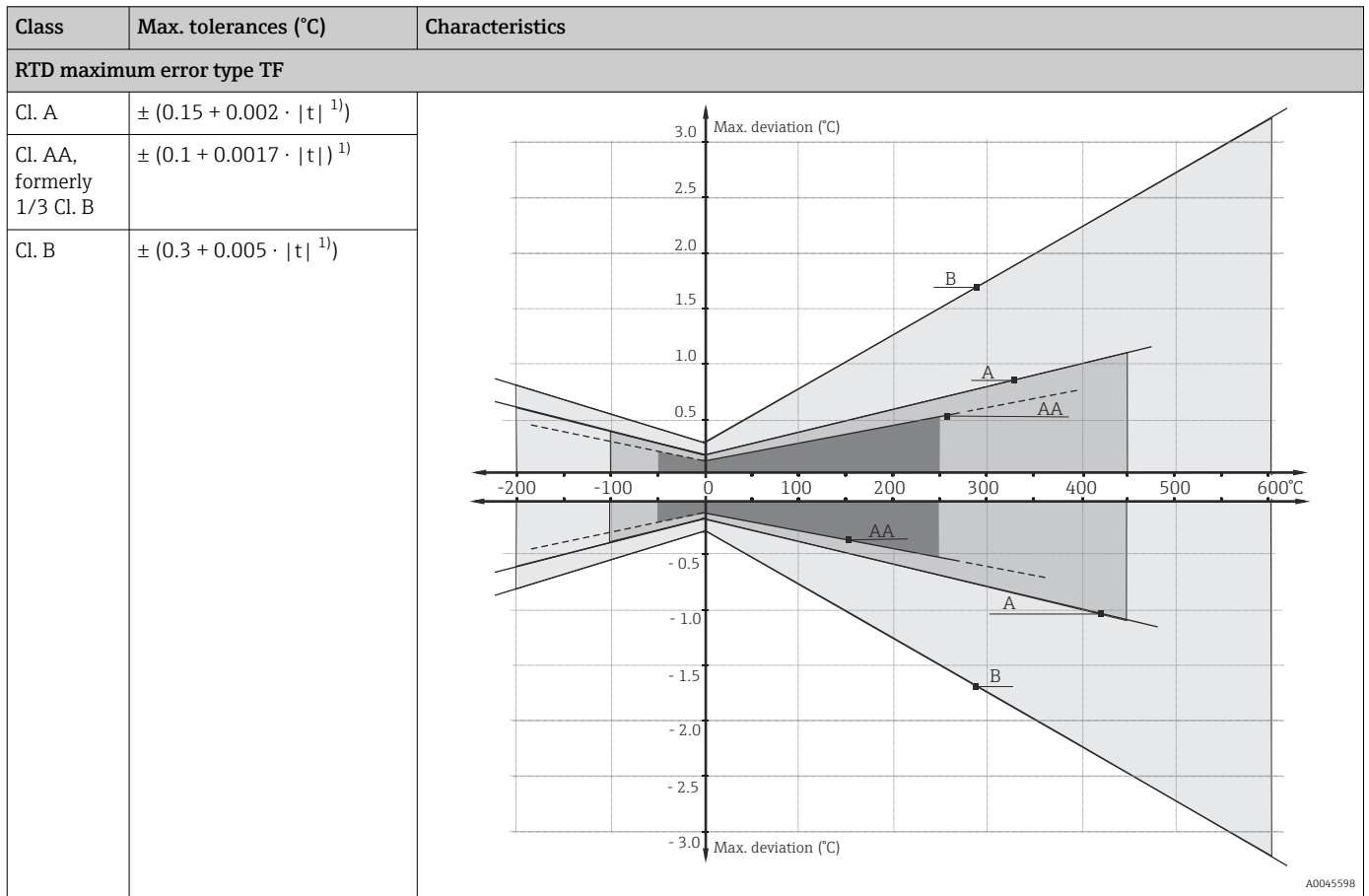
Standard	Type	Standard tolerance		Special tolerance	
		Class	Deviation	Class	Deviation
IEC 60584	J (Fe-CuNi)	2	±2.5 °C (-40 to 333 °C) ±0.0075  t  <sup>1)</sup> (333 to 750 °C)	1	±1.5 °C (-40 to 375 °C) ±0.004  t  <sup>1)</sup> (375 to 750 °C)
	K (NiCr-NiAl)	2	±2.5 °C (-40 to 333 °C) ±0.0075  t  <sup>1)</sup> (333 to 1200 °C)	1	±1.5 °C (-40 to 375 °C) ±0.004  t  <sup>1)</sup> (375 to 1000 °C)

1) |t| = temperature absolute value in °C

Standard	Type	Standard tolerance	Special tolerance
ASTM E230/ANSI MC96.1		Deviation, the larger value applies in each case	
	J (Fe-CuNi)	±2.2 K or ±0.0075  t  <sup>1)</sup> (0 to 760 °C)	±1.1 K or ±0.004  t  <sup>1)</sup> (0 to 760 °C)
	K (NiCr-NiAl)	±2.2 K or ±0.02  t  <sup>1)</sup> (-200 to 0 °C) ±2.2 K or ±0.0075  t  <sup>1)</sup> (0 to 1260 °C)	±1.1 K or ±0.004  t  <sup>1)</sup> (0 to 1260 °C)

1) |t| = temperature absolute value in °C

RTD resistance thermometer as per IEC 60751



1) |t| = absolute temperature value in °C

**i** In order to obtain the maximum tolerances in °F, the results in °C must be multiplied by a factor of 1.8.

**Response time** Calculated at an ambient temperature of approx. 23 °C by immersing in running water (0.4 m/s flow rate, 10 K excess temperature):

Thermowell, U = length of the tapered tip

Thermometer type	External diameter	t <sub>(x)</sub>	U = 65 mm (2.56 in) U = 73 mm (2.87 in)	U = 125 mm (4.92 in) U = 133 mm (5.24 in)	U = 275 mm (10.83 in)	External diameter (tapered tip)
Resistance thermometer (measuring probe Pt100, TF/WW)	18 mm (0.71 in)	t <sub>50</sub>	22 s	22 s	-	9 mm (0.35 in)
		t <sub>90</sub>	60 s	60 s	-	
	24 mm (0.94 in)	t <sub>50</sub>	31 s	31 s	31 s	12.5 mm (0.5 in)
		t <sub>90</sub>	96 s	96 s	96 s	

Thermowell,  $U$  = length of the tapered tip

Thermometer type	External diameter	$t_{(x)}$	Grounded			Not grounded		
			U = 65 mm (2.56 in) U = 73 mm (2.87 in)	U = 125 mm (4.92 in) U = 133 mm (5.24 in)	U = 275 mm (10.83 in)	U = 65 mm (2.56 in) U = 73 mm (2.87 in)	U = 125 mm (4.92 in) U = 133 mm (5.24 in)	U = 275 mm (10.83 in)
Thermocouple	18 mm (0.71 in)	$t_{50}$	7 s	7 s	-	7.5 s	7.5 s	-
		$t_{90}$	18 s	18 s	-	19 s	19 s	-
	24 mm (0.94 in)	$t_{50}$	17 s	15 s	15 s	18 s	16 s	16 s
		$t_{90}$	47 s	43 s	43 s	50 s	46 s	46 s

Insert: Tested in accordance with IEC 60751 in flowing water (0.4 m/s at 30 °C):

Sensor type	Diameter ID	Response time	Thin-film (TF)
iTHERM® StrongSens	6 mm (0.24 in)	$t_{50}$	< 3.5 s
		$t_{90}$	< 10 s
TF sensor	3 mm (0.12 in)	$t_{50}$	2.5 s
		$t_{90}$	5.5 s
	6 mm (0.24 in)	$t_{50}$	5 s
		$t_{90}$	13 s
WW sensor	3 mm (0.12 in)	$t_{50}$	2 s
		$t_{90}$	6 s
	6 mm (0.24 in)	$t_{50}$	4 s
		$t_{90}$	12 s
Thermocouple (TPC100) Grounded	3 mm (0.12 in)	$t_{50}$	0.8 s
		$t_{90}$	2 s
	6 mm (0.24 in)	$t_{50}$	2 s
		$t_{90}$	5 s
Thermocouple (TPC100) Not grounded	3 mm (0.12 in)	$t_{50}$	1 s
		$t_{90}$	2.5 s
	6 mm (0.24 in)	$t_{50}$	2.5 s
		$t_{90}$	7 s



Response time for sensor design without transmitter.

#### Insulation resistance

- RTD:  
Insulation resistance according to IEC 60751 > 100 MΩ at 25 °C between terminals and sheath material measured with a minimum test voltage of 100 V DC
- TC:  
Insulation resistance according to IEC 1515 between terminals and sheath material with a test voltage of 500 V DC:
  - > 1 GΩ at 20 °C
  - > 5 MΩ at 500 °C

#### Dielectric strength

Tested at room temperature for 5 s:

- $\phi$ 6 mm (0.24 in):  $\geq$  1000 V DC between terminals and insert sheath
- $\phi$ 3 mm (0.12 in):  $\geq$  250 V DC between terminals and insert sheath

**Self heating**

RTD elements are passive resistances that are measured using an external current. This measurement current causes a self-heating effect in the RTD element itself which in turn creates an additional measurement error. In addition to the measurement current, the size of the measurement error is also affected by the temperature conductivity and flow velocity of the process. This self-heating error is negligible when an Endress+Hauser iTEMP temperature transmitter (very small measurement current) is connected.

**Calibration**

Endress+Hauser provides comparison temperature calibration from  $-80$  to  $+1400$  °C ( $-110$  to  $+2552$  °F) based on the International Temperature Scale (ITS90). Calibrations are traceable to national and international standards. The calibration certificate is referenced to the serial number of the thermometer. Only the insert is calibrated.

Insert: Ø6 mm (0.24 in) and 3 mm (0.12 in)	Minimum insertion length of insert in mm (in)	
	without head transmitter	with head transmitter
Temperature range		
-80 to 250 °C (-110 to 480 °F)	No minimum immersion length required	
250 to 550 °C (480 to 1020 °F)	300 (11.81)	
550 to 1400 °C (1020 to 2552 °F)	450 (17.72)	

**Material**

Extension neck and thermowell.

The temperatures for continuous operation specified in the following table are only intended as reference values for use of the various materials in air and without any significant compressive load. The maximum operating temperatures are reduced considerably in some cases where abnormal conditions such as high mechanical loads occur, or in aggressive media.

Description	Short formula	Recommended max. temperature for continuous use in air	Properties
AISI 316L/1.4404 1.4435	X2CrNiMo17-12-2 X2CrNiMo18-14-3	650 °C (1202 °F) <sup>1)</sup>	<ul style="list-style-type: none"> <li>▪ Austenitic, stainless steel</li> <li>▪ High corrosion resistance in general</li> <li>▪ Particularly high corrosion-resistance in chlorine-based and acidic, non-oxidizing atmospheres through the addition of molybdenum (e.g. phosphoric and sulfuric acids, acetic and tartaric acids with a low concentration)</li> <li>▪ Increased resistance to intergranular corrosion and pitting</li> <li>▪ Compared to 1.4404, 1.4435 has even higher corrosion resistance and a lower delta ferrite content</li> </ul>
AISI 316Ti/1.4571	X6CrNiMoTi17-12-2	700 °C (1292 °F) <sup>1)</sup>	<ul style="list-style-type: none"> <li>▪ Properties comparable with AISI 316L</li> <li>▪ The addition of titanium increases resistance to intergranular corrosion even after welding</li> <li>▪ Broad range of uses in the chemical, petrochemical and oil industries as well as in coal chemistry</li> <li>▪ Can only be polished to a limited extent, titanium streaks can form</li> </ul>
AISI A105/1.0460	C22.8	450 °C (842 °F)	<ul style="list-style-type: none"> <li>▪ Heat-resistant steel</li> <li>▪ Resistant to atmospheres which contain nitrogen and are low in oxygen; not suitable for acids or other aggressive media</li> <li>▪ Often used for boilers, water and steam pipes, pressure vessels</li> </ul>
Duplex SAF2205/1.4462	X2CrNiMoN22-5-3	300 °C (572 °F)	<ul style="list-style-type: none"> <li>▪ Austenitic-ferritic steel with good mechanical properties</li> <li>▪ High resistance to general corrosion, pitting, chlorine-induced or transcrystalline stress corrosion</li> <li>▪ Comparatively good resistance to hydrogen-induced stress corrosion</li> </ul>
Inconel 600/2.4816	NiCr15Fe	1 100 °C (2 012 °F)	<ul style="list-style-type: none"> <li>▪ A nickel/chromium alloy with very good resistance to aggressive, oxidizing and reducing atmospheres, even at high temperatures</li> <li>▪ Resistance to corrosion caused by chlorine gases and chlorinated media as well as many oxidizing mineral and organic acids, sea water etc.</li> <li>▪ Corrosion from ultrapure water</li> <li>▪ Not to be used in sulfur-containing atmospheres</li> </ul>
Hastelloy C276/2.4819	NiMo16Cr15W	1 100 °C (2 012 °F)	<ul style="list-style-type: none"> <li>▪ Nickel-based alloy with very good resistance to oxidizing and reducing atmospheres, even at high temperatures</li> <li>▪ Particularly resistant to chlorine gas and chlorides as well as many oxidizing mineral and organic acids</li> </ul>



Description	Short formula	Recommended max. temperature for continuous use in air	Properties
AISI A182 F11/1.7335	13CrMo4-5	550 °C (1022 °F)	<ul style="list-style-type: none"> <li>▪ Low alloy, heat-resistant steel with chromium and molybdenum additions</li> <li>▪ Better corrosion resistance compared to non-alloy steels, not suitable for acids and other aggressive media</li> <li>▪ Often used for boilers, water and steam pipes, pressure vessels</li> </ul>
Titanium/3.7035	-	600 °C (1112 °F)	<ul style="list-style-type: none"> <li>▪ A light metal with very high corrosion resistance and strength values</li> <li>▪ Very good resistance to many oxidizing mineral and organic acids, saline solutions, sea water etc.</li> <li>▪ Prone to fast embrittlement at high temperatures through the absorption of oxygen, nitrogen and hydrogen</li> <li>▪ Compared to other metals, titanium reacts readily with many media (O<sub>2</sub>, N<sub>2</sub>, Cl<sub>2</sub>, H<sub>2</sub>) at higher temperatures and/or increased pressure</li> <li>▪ Can only be used in chlorine gas and chlorinated media at comparatively low temperatures (&lt;400 °C)</li> </ul>
1.5415	16Mo3	530 °C (986 °F)	<ul style="list-style-type: none"> <li>▪ Alloyed, heat-resistant steel</li> <li>▪ Particularly well suited as pipe material for boiler construction, super heater tube, superheated steam and collecting pipe, stove and line pipes, for heat exchangers and for the purposes of oil-refining industries</li> </ul>

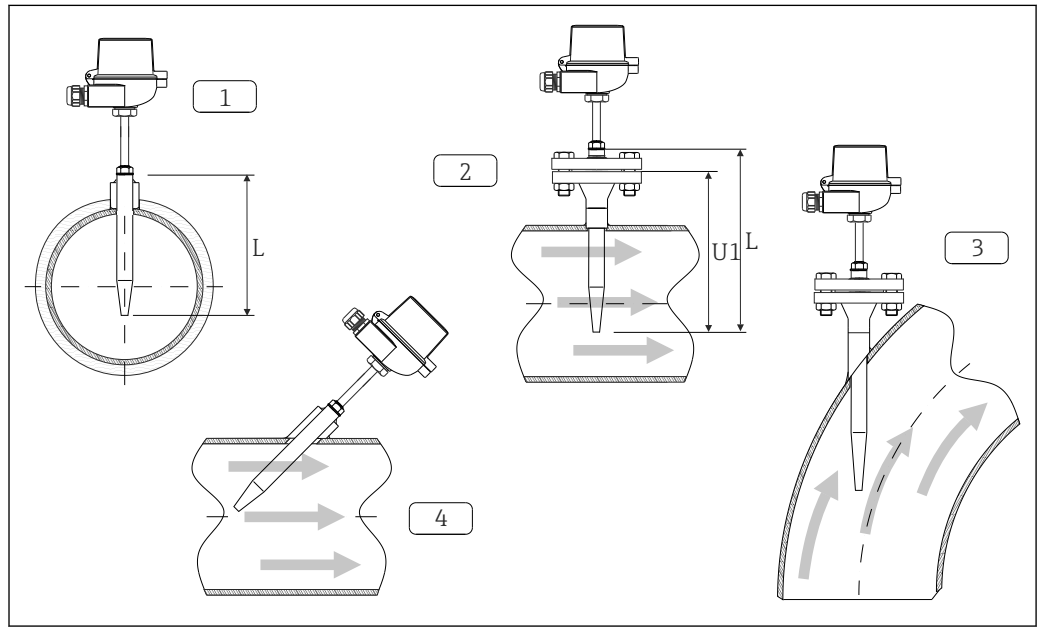
- 1) Can be used to a limited extent up to 800 °C (1472 °F) for low compressive loads and in non-corrosive media. Please contact your Endress+Hauser sales team for further information.

## Installation

### Orientation

No restrictions.

### Installation instructions



A0011013

#### 9 Installation examples

1-2 In pipes with a small cross-section, the sensor tip should reach or extend slightly past the center axis of the pipe ( $= L$ ).

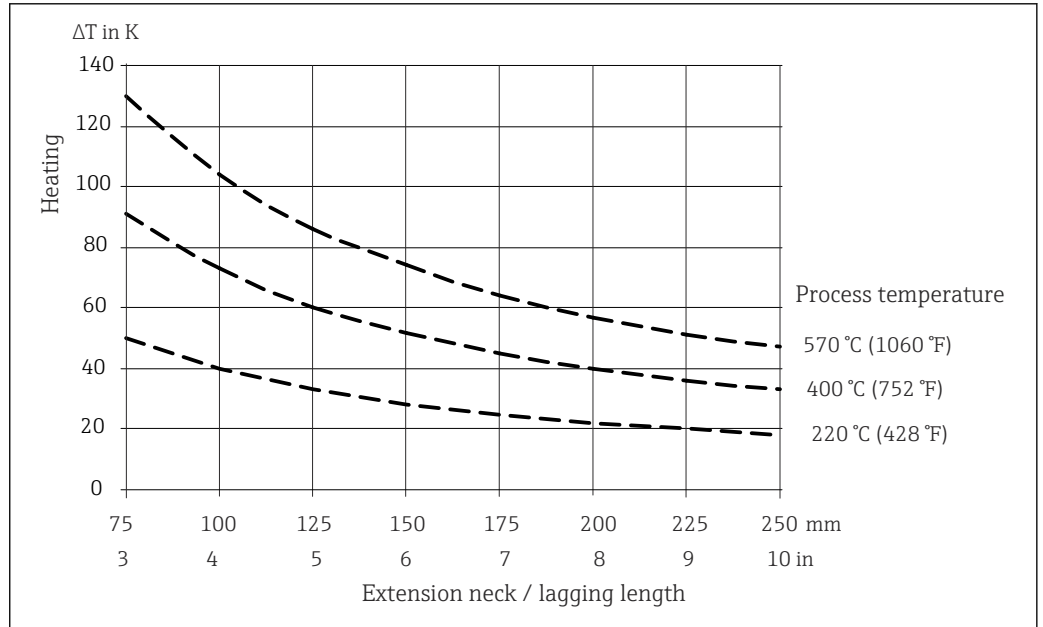
3-4 Slanted orientation.

The immersion length of the thermometer influences the accuracy. If the immersion length is too small, errors in the measurement are caused by heat conduction via the process connection and the container wall. For installation in a pipe, therefore, the recommended installation depth ideally corresponds to half of the pipe diameter (see 1 and 2). Installation at an angle (see 3 and 4) could be another solution. When determining the immersion length or installation depth all the parameters of the thermometer and of the process to be measured must be taken into account (e.g. flow velocity, pressure).

- Installation possibilities: Pipes, tanks or other plant components
- Recommended minimum immersion depth: 150 mm (5.91 in)  
The immersion length should correspond to at least 8 times the thermowell diameter. Example: thermowell diameter 24 mm (0.94 in)  $\times 8 = 192$  mm (7.56 in).
- ATEX certification: Observe the installation instructions in the Ex documentation!

**Extension neck length**

The extension neck is the part between the process connection and the terminal head. It is made of a pipe with dimensional and physical characteristics (diameter and material) which are the same as those of the pipe in contact with the medium. The connection at the upper end of the extension neck allows for alignment of the terminal head. As illustrated in the following diagram, the extension neck length influences the temperature in the terminal head. This temperature must remain within the limit values defined in the "Operating conditions" section.



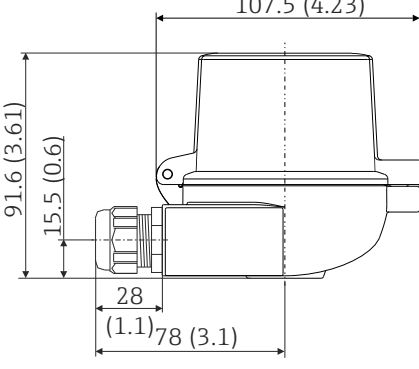
10 Heating of the terminal head as a function of the process temperature. Temperature in terminal head = ambient temperature 20 °C (68 °F) + ΔT

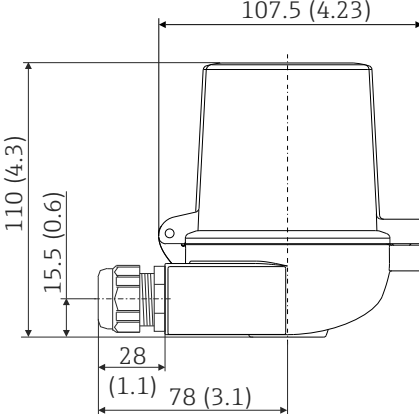
**Mechanical construction**

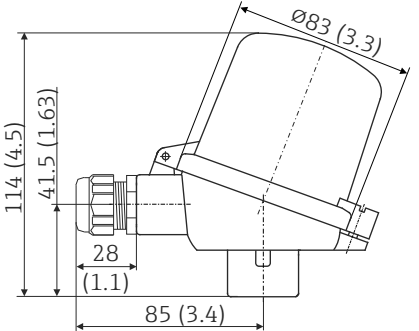
**Terminal heads**

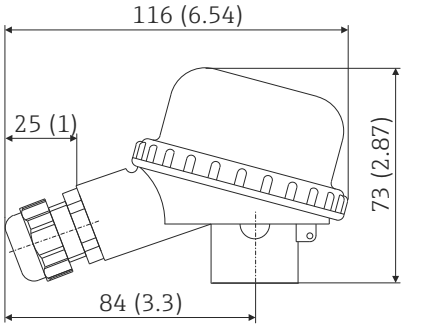
All terminal heads have an internal shape and size in accordance with DIN EN 50446, flat face and a thermometer connection of M24x1.5, G1/2" or 1/2" NPT thread. All dimensions in mm (in). The cable glands in the diagrams correspond to M20x1.5 connections. Specifications without head transmitter installed. For ambient temperatures with head transmitter installed, see the "Operating conditions" section.

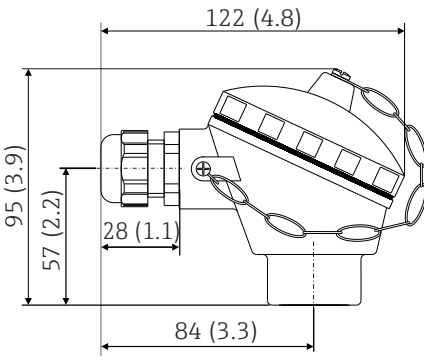
TA30A	Specification
	<ul style="list-style-type: none"> <li>▪ Degree of protection:                             <ul style="list-style-type: none"> <li>▪ IP66/68 (NEMA Type 4x encl.)</li> <li>▪ For ATEX: IP66/67</li> </ul> </li> <li>▪ Temperature: -50 to +150 °C (-58 to +302 °F) without cable gland</li> <li>▪ Material: aluminum, polyester powder coated</li> <li>Seals: silicone</li> <li>▪ Cable entry thread: G ½", ½" NPT and M20x1.5;</li> <li>▪ Protective fitting connection: M24x1.5</li> <li>▪ Head color: blue, RAL 5012</li> <li>▪ Cap color: gray, RAL 7035</li> <li>▪ Weight: 330 g (11.64 oz)</li> <li>▪ Ground terminal, internal and external</li> <li>▪ Available with sensors with 3-A® symbol</li> </ul>

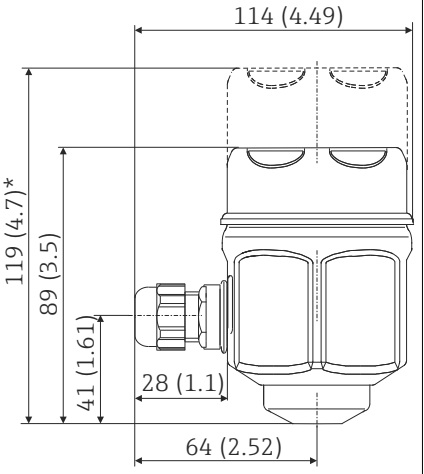
TA30A with display window in cover	Specification
 <p>A0009821</p>	<ul style="list-style-type: none"> <li>■ Degree of protection: <ul style="list-style-type: none"> <li>■ IP66/68 (NEMA Type 4x incl.)</li> <li>■ For ATEX: IP66/67</li> </ul> </li> <li>■ Temperature: -50 to +150 °C (-58 to +302 °F) without cable gland</li> <li>■ Material: aluminum, polyester powder coated</li> <li>Seals: silicone</li> <li>■ Cable entry thread: G ½", ½" NPT and M20x1.5</li> <li>■ Protective fitting connection: M24x1.5</li> <li>■ Head color: blue, RAL 5012</li> <li>Cap color: gray, RAL 7035</li> <li>■ Weight: 420 g (14.81 oz)</li> <li>■ Display window: single-pane safety glass according to DIN 8902</li> <li>■ For TID10 display</li> <li>■ Ground terminal, internal and external</li> <li>■ Available with sensors with 3-A® symbol</li> </ul>

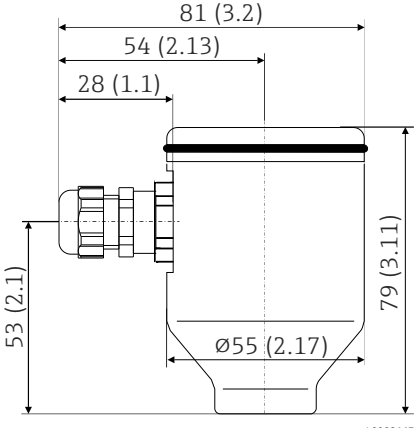
TA30D	Specification
 <p>A0009822</p>	<ul style="list-style-type: none"> <li>■ Degree of protection: <ul style="list-style-type: none"> <li>■ IP66/68 (NEMA Type 4x incl.)</li> <li>■ For ATEX: IP66/67</li> </ul> </li> <li>■ Temperature: -50 to +150 °C (-58 to +302 °F) without cable gland</li> <li>■ Material: aluminum, polyester powder coated</li> <li>Seals: silicone</li> <li>■ Cable entry thread: G ½", ½" NPT and M20x1.5</li> <li>■ Protective fitting connection: M24x1.5</li> <li>■ Two head transmitters can be mounted. In the standard configuration one transmitter is mounted in the terminal head cover and an additional terminal block is installed directly on the insert.</li> <li>■ Head color: blue, RAL 5012</li> <li>Cap color: gray, RAL 7035</li> <li>■ Weight: 390 g (13.75 oz)</li> <li>■ Ground terminal, internal and external</li> <li>■ Available with sensors with 3-A® symbol</li> </ul>

TA30P	Specification
 <p>A0023477</p>	<ul style="list-style-type: none"> <li>■ Degree of protection: IP65</li> <li>■ Max. temperature: -40 to +120 °C (-40 to +248 °F)</li> <li>■ Material: polyamide (PA12), antistatic</li> <li>Seals: silicone</li> <li>■ Threaded cable entry: M20x1.5</li> <li>■ Protective fitting connection: M24x1.5</li> <li>■ Two head transmitters can be mounted. In the standard configuration one transmitter is mounted in the terminal head cover and an additional terminal block is installed directly on the insert.</li> <li>■ Head and cap color: black</li> <li>■ Weight: 135 g (4.8 oz)</li> <li>■ Type of protection: intrinsic safety (G Ex ia)</li> <li>■ Ground terminal: only internal via auxiliary terminal</li> <li>■ Available with sensors with 3-A® symbol</li> </ul>

TA20B	Specification
 <p style="text-align: right; font-size: small;">A0008663</p>	<ul style="list-style-type: none"> <li>▪ Degree of protection: IP65</li> <li>▪ Max. temperature: -40 to +80 °C (-40 to +176 °F) without cable gland</li> <li>▪ Material: polyamide (PA)</li> <li>▪ Cable entry: M20x1.5</li> <li>▪ Head and cap color: black</li> <li>▪ Weight: 80 g (2.82 oz)</li> <li>▪ With 3-A® symbol</li> </ul>

TA21E	Specification
 <p style="text-align: right; font-size: small;">A0008669</p>	<ul style="list-style-type: none"> <li>▪ Protection class: IP65 (NEMA Type 4x encl.)</li> <li>▪ Temperature: -40 to 130 °C (-40 to 266 °F) silicone, up to 100 °C (212 °F) rubber seal without cable gland (observe max. permitted temperature of the cable gland!)</li> <li>▪ Material: aluminum alloy with polyester or epoxy coating, rubber or silicone seal under the cover</li> <li>▪ Cable entry: M20x1.5 or plug M12x1 PA</li> <li>▪ Protection armature connection: M24x1.5, G 1/2" or NPT 1/2"</li> <li>▪ Head color: blue, RAL 5012</li> <li>▪ Cap color: gray, RAL 7035</li> <li>▪ Weight: 300 g (10.58 oz)</li> <li>▪ 3-A® marked</li> </ul>

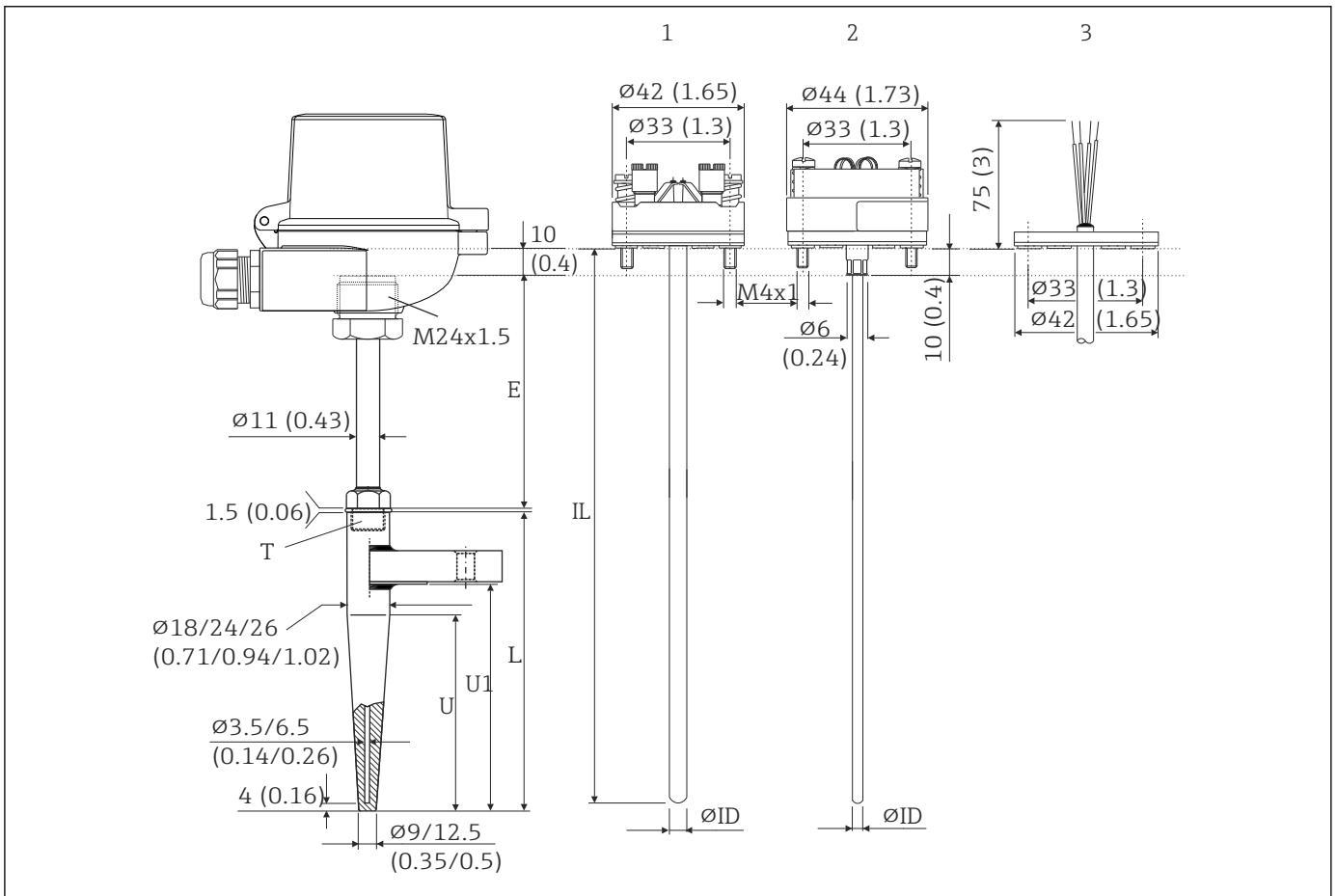
TA20J	Specification
 <p style="text-align: right; font-size: small;">A0008866</p> <p>* dimensions with optional display</p>	<ul style="list-style-type: none"> <li>▪ Protection class: IP66/IP67 (NEMA Type 4x encl.)</li> <li>▪ Temperature: -40 to 70 °C (-40 to 158 °F) without cable gland</li> <li>▪ Material: 316L (1.4404) stainless steel, rubber seal under the cover (hygienic design)</li> <li>▪ 4 digits 7-segments LC display (loop powered with optional 4 to 20 mA transmitter)</li> <li>▪ Cable entry: 1/2" NPT, M20x1.5 or plug M12x1 PA</li> <li>▪ Protection armature connection: M24x1.5 or 1/2" NPT</li> <li>▪ Head and cap color: stainless steel, polished</li> <li>▪ Weight: 650 g (22.93 oz) with display</li> <li>▪ Humidity: 25 to 95 %, no condensation</li> <li>▪ 3-A® marked</li> </ul> <p>The programming is executed through 3 keys at the bottom of the display.</p>

TA20R	Specification
 <p style="text-align: right; font-size: small;">A0008667</p>	<ul style="list-style-type: none"> <li>▪ Protection class: IP66/67</li> <li>▪ Max. temperature: -40 to +100 °C (-40 to +212 °F) without cable gland</li> <li>▪ Material: SS 316L (1.4404) stainless steel</li> <li>▪ Cable entry: 1/2" NPT, M20x1.5 or plug M12x1 PA</li> <li>▪ Head and cap color: stainless steel</li> <li>▪ Weight: 550 g (19.4 oz)</li> <li>▪ LABS-free</li> <li>▪ 3-A<sup>®</sup> marked</li> </ul>

Maximum ambient temperatures for cable glands and fieldbus connectors	
Type	Temperature range
Cable gland 1/2" NPT, M20x1.5 (non Ex)	-40 to +100 °C (-40 to +212 °F)
Cable gland M20x1.5 (for dust ignition-proof area)	-20 to +95 °C (-4 to +203 °F)
Fieldbus connector (M12x1 PA, 7/8" FF)	-40 to +105 °C (-40 to +221 °F)

Design

All dimensions in mm (in).



11 TR15 and TC15 dimensions

- 1 Insert with terminal block mounted
- 2 Insert with head transmitter mounted
- 3 Insert with flying leads
- T Threaded extension neck connection to thermowell
- E Extension neck length
- L Total thermowell length
- IL Insertion length =  $E + L + 10 \text{ mm (0.4 in)}$
- U Length of conical tip
- U1 Immersion length; length of the part of the thermowell in contact with the process from the tip to the sealing surface of the flange
- ØID Insert diameter  $\text{Ø}3 \text{ mm (0.12 in)}$  or  $6 \text{ mm (0.24 in)}$

**i** Tolerance h7 for weld-in versions with thermowell diameter  $\text{Ø}18/24/26 \text{ mm (0.71/0.94/1.02 in)}$

**Insert** Different inserts are available for the thermometer depending on the application:

Sensor	Standard thin-film	iTHERM® StrongSens	Wire wound	
Sensor design; connection method	1x Pt100, 3- or 4-wire, mineral insulated	1x Pt100, 3- or 4-wire, mineral insulated	1x Pt100, 3- or 4-wire, mineral insulated	2x Pt100, 3-wire, mineral insulated
Vibration resistance of the insert tip	Up to 3g	Enhanced vibration resistance > 60g	Up to 3g	
Measuring range; accuracy class	-50 to +400 °C (-58 to +752 °F), Class A or AA	-50 to +500 °C (-58 to +932 °F), Class A or AA	-200 to +600 °C (-328 to +1 112 °F), Class A or AA	
Diameter	3 mm (1/8 in), 6 mm (1/4 in)	6 mm (1/4 in)	3 mm (1/8 in), 6 mm (1/4 in)	
Insert type	TPR100	iTHERM® TS111	TPR100	

TC				
Selection in the order code	A	B	E	F
Sensor design; material	1x K; INCONEL 600	2x K; INCONEL 600	1x J; 316L	2x J; 316L
Measuring range according to:				
DIN EN 60584	-40 to 1200 °C		-40 to 750 °C	
ANSI MC 96.1	0 to 1250 °C		0 to 750 °C	
TC standard; accuracy	IEC 60584-2; Class 1 ASTM E230-03; special			
Insert type	TPC100			
Diameter	∅3 mm (0.12 in) or ∅6 mm (0.24 in), depending on the thermowell tip selected			

**Weight** 1 to 5 kg (2.2 to 11 lbs) for standard versions.



**Process connection**

Standard process connection, flange or weld-in version.

Flange with standard designation of the dimensions	
<p>For detailed information on the flange connections, refer to the following flange standards:</p> <ul style="list-style-type: none"> <li>▪ ANSI/ASME B16.5</li> <li>▪ ISO 7005-1</li> <li>▪ EN 1092-1</li> <li>▪ JIS B 2220 : 2004</li> </ul>	<p>Ideally the flange should be made from the same material as the thermowell. Models in Hastelloy® have flanges in basic material 316L/1.4404 and a disc in Hastelloy® on the surface in contact with the process media. The surface finish of the standard flanges ranges from 3.2 to 6.4 µm (Ra). Other types of flanges can be supplied on request.</p>

**Spare parts**

For the spare parts available for the device, refer to the relevant product page at: [www.endress.com](http://www.endress.com)  
→ (search for device name)

## Certificates and approvals

 For the approvals available, see the Configurator on the specific product page:  
[www.endress.com](http://www.endress.com) → (search for device name)

**Other standards and guidelines**

- IEC 60529: Degree of protection of housing (IP code)
- IEC/EN 61010-1: Safety requirements for electrical equipment for measurement, control and laboratory use
- IEC 60751: Industrial platinum resistance thermometers
- IEC 60584 and ASTM E230/ANSI MC96.1: Thermocouples
- DIN 43772: Thermowells
- DIN EN 50446: Terminal heads

**Material certification**

The material certificate 3.1 (according to standard EN 10204) can be requested separately. The "short form" certificate includes a simplified declaration with no enclosures of documents related to the materials used in the design of the individual sensor but guarantees the traceability of the materials through the identification number of the thermometer. The data related to the origin of the materials can subsequently be requested by the client if necessary.

**Thermowell testing**

Thermowell pressure tests are carried out in accordance with the specifications in DIN 43772. Thermowells with tapered or reduced tips that do not comply with this standard are tested using the pressure of the corresponding straight thermowell. Sensors for use in hazardous areas are also always subjected to a comparative pressure during the tests. Tests according to other specifications can be carried out on request. The liquid penetration test verifies that there are no cracks in the welded seams of the thermowell.

## Ordering information

Detailed ordering information is available from your nearest sales organization  
[www.addresses.endress.com](http://www.addresses.endress.com) or in the Product Configurator at [www.endress.com](http://www.endress.com):

1. Select the product using the filters and search field.

2. Open the product page.
3. Select **Configuration**.



**i** **Product Configurator - the tool for individual product configuration**

- Up-to-the-minute configuration data
- Depending on the device: Direct input of measuring point-specific information such as measuring range or operating language
- Automatic verification of exclusion criteria
- Automatic creation of the order code and its breakdown in PDF or Excel output format
- Ability to order directly in the Endress+Hauser Online Shop

## Accessories

Various accessories, which can be ordered with the device or subsequently from Endress+Hauser, are available for the device. Detailed information on the order code in question is available from your local Endress+Hauser sales center or on the product page of the Endress+Hauser website: [www.endress.com](http://www.endress.com).

### Service-specific accessories


Accessories	Description
Applicator	<p>Software for selecting and sizing Endress+Hauser measuring devices:</p> <ul style="list-style-type: none"> <li>▪ Calculation of all the necessary data for identifying the optimum measuring device: e.g. pressure loss, accuracy or process connections.</li> <li>▪ Graphic illustration of the calculation results</li> </ul> <p>Administration, documentation and access to all project-related data and parameters over the entire life cycle of a project.</p> <p>Applicator is available: Via the Internet: <a href="https://portal.endress.com/webapp/applicator">https://portal.endress.com/webapp/applicator</a></p>
DeviceCare SFE100	<p>Configuration tool for devices via fieldbus protocols and Endress+Hauser service protocols.</p> <p>DeviceCare is the tool developed by Endress+Hauser for the configuration of Endress+Hauser devices. All smart devices in a plant can be configured via a point-to-point or point-to-bus connection. The user-friendly menus enable transparent and intuitive access to the field devices.</p> <p> For details, see Operating Instructions BA00027S</p>
FieldCare SFE500	<p>FDT-based plant asset management tool from Endress+Hauser.</p> <p>It can configure all smart field units in your system and helps you manage them. By using the status information, it is also a simple but effective way of checking their status and condition.</p> <p> For details, see Operating Instructions BA00027S and BA00065S</p>
Accessories	Description
W@M	<p>Life cycle management for your plant</p> <p>W@M offers assistance with a wide range of software applications over the entire process: from planning and procurement to the installation, commissioning and operation of the measuring devices. All the relevant information is available for every measuring device over the entire life cycle, such as the device status, device-specific documentation, spare parts etc.</p> <p>The application already contains the data of your Endress+Hauser device. Endress+Hauser also takes care of maintaining and updating the data records.</p> <p>W@M is available: Via the Internet: <a href="http://www.endress.com/lifecyclemanagement">www.endress.com/lifecyclemanagement</a></p>

### Thermowell sizing tool

- i** The Thermowell sizing' tool can be found on the Endress+Hauser website for online calculation and engineering of all Endress+Hauser thermometer thermowells. See <https://wapps.endress.com/applicator>

## Supplementary documentation

The following types of documentation are available on the product pages and in the Download Area of the Endress+Hauser website ([www.endress.com/downloads](http://www.endress.com/downloads)) (depending on the selected device version):

Document	Purpose and content of the document
Technical Information (TI)	<b>Planning aid for your device</b> The document contains all the technical data on the device and provides an overview of the accessories and other products that can be ordered for the device.
Brief Operating Instructions (KA)	<b>Guide that takes you quickly to the 1st measured value</b> The Brief Operating Instructions contain all the essential information from incoming acceptance to initial commissioning.
Operating Instructions (BA)	<b>Your reference document</b> The Operating Instructions contain all the information that is required in various phases of the life cycle of the device: from product identification, incoming acceptance and storage, to mounting, connection, operation and commissioning through to troubleshooting, maintenance and disposal.
Description of Device Parameters (GP)	<b>Reference for your parameters</b> The document provides a detailed explanation of each individual parameter. The description is aimed at those who work with the device over the entire life cycle and perform specific configurations.
Safety Instructions (XA)	Depending on the approval, Safety Instructions (XA) are supplied with the device. The Safety Instructions are an integral part of the Operating Instructions.   Information on the Safety Instructions (XA) that are relevant for the device is provided on the nameplate.
Supplementary device-dependent documentation (SD/FY)	Always comply strictly with the instructions in the relevant supplementary documentation. The supplementary documentation is an integral part of the device documentation.



[www.addresses.endress.com](http://www.addresses.endress.com)

---