

NAVITRAG

Swiss based Trafag is a leading international supplier of high quality sensors and monitoring instruments for measurement of pressure and temperature.



Applications

- Shipbuilding
- Engine manufacturing



Features

- Excellent long-term stability
- Protection IP65
- EMC protection, IEC 61000
- Excellent resistance to pressure peaks and dynamic pressure changes

Technical Data



| | | | |
|----------------------|----------------------------|-----------------------|--------------------------------|
| Measuring principle | Thin-film-on-steel | Media temperature | -25°C ... +125°C |
| Measuring range | 0 ... 1.0 to 0 ... 600 bar | Ambient temperature | -25°C ... +85°C |
| Output signal | 4 ... 20 mA | Approval / conformity | ABS, BV, CCS, DNV-GL, KRS, LRS |
| Accuracy @ 25°C typ. | ± 0.5 % FS typ. | | |

07/2018

Data sheet H72206i

Subject to change

Ordering information/type code

| | | | | 8202 . | XX | XX | XX | XX | XX |
|--------------------------------------|---|----------------------|-----------------------|--------|----|----|----|----|----|
| Measuring range ¹⁾ | Pressure measurement range | Over pressure | Burst pressure | | | | | | |
| | [bar] | [bar] | [bar] | | | | | | |
| | 0 ... 1.0 | 3 | 100 | 71 | | | | | |
| | 0 ... 1,6 | 3 | 100 | 73 | | | | | |
| | 0 ... 2.5 | 6 | 100 | 75 | | | | | |
| | 0 ... 4 | 10 | 100 | 76 | | | | | |
| | 0 ... 6 | 15 | 100 | 77 | | | | | |
| | 0 ... 10 | 20 | 200 | 78 | | | | | |
| | 0 ... 16 | 32 | 200 | 79 | | | | | |
| | 0 ... 25 | 80 | 300 | 80 | | | | | |
| | 0 ... 40 | 80 | 300 | 81 | | | | | |
| | 0 ... 60 | 200 | 500 | 82 | | | | | |
| | 0 ... 100 | 200 | 500 | 83 | | | | | |
| | 0 ... 160 | 500 | 1000 | 85 | | | | | |
| | 0 ... 250 | 500 | 1000 | 74 | | | | | |
| | 0 ... 400 | 800 | 1500 | 84 | | | | | |
| 0 ... 600 | 1000 | 2000 | 86 | | | | | | |
| Sensor | relative | | | | | 22 | | | |
| | absolute | | | | | 26 | | | |
| Pressure connection | G1/4" female | | | | | | 10 | | |
| | G1/2" male | | | | | | 11 | | |
| Fixing | Wall mounting bracket | | | | | | | 31 | |
| Accessories |  Connector with marine cable gland DIN89280, M24x1.5 (Cable-ø 14...16.5) | | | | | | | | 27 |
| |  Connector with marine cable gland DIN89280, M18x1.5 (Cable-ø 8...10.5) | | | | | | | | 40 |
| | Cable gland for screened cable, Cable ø 6...12mm | | | | | | | | 28 |
| | Damping elements and Snubber: See specification sheet H72258 | | | | | | | | |

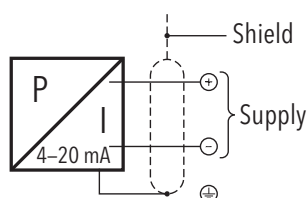
¹⁾ Customized pressure ranges upon request

Standard products (extra short lead time)

| Product No. | Type Code | Pressure range [bar] | Over pressure max. [bar] | Supply [VDC] | Accuracy @ 25°C typ. [%] |
|-------------|--------------|----------------------|--------------------------|--------------|--------------------------|
| N1.0 | 8202 71 2210 | 0...1 | 3 | 12...34 | ± 0.5 |
| N2.5 | 8202 75 2210 | 0...2.5 | 6 | 12...34 | ± 0.5 |
| N4.0 | 8202 76 2210 | 0...4 | 10 | 12...34 | ± 0.5 |
| N6.0 | 8202 77 2210 | 0...6 | 15 | 12...34 | ± 0.5 |
| N10.0 | 8202 78 2210 | 0...10 | 20 | 12...34 | ± 0.5 |
| N16.0 | 8202 79 2210 | 0...16 | 32 | 12...34 | ± 0.5 |
| N25.0 | 8202 80 2210 | 0...25 | 80 | 12...34 | ± 0.5 |
| N40.0 | 8202 81 2210 | 0...40 | 80 | 12...34 | ± 0.5 |
| N100.0 | 8202 83 2210 | 0...100 | 200 | 12...34 | ± 0.5 |
| N250.0 | 8202 74 2210 | 0...250 | 500 | 12...34 | ± 0.5 |
| N400.0 | 8202 84 2210 | 0...400 | 800 | 12...34 | ± 0.5 |

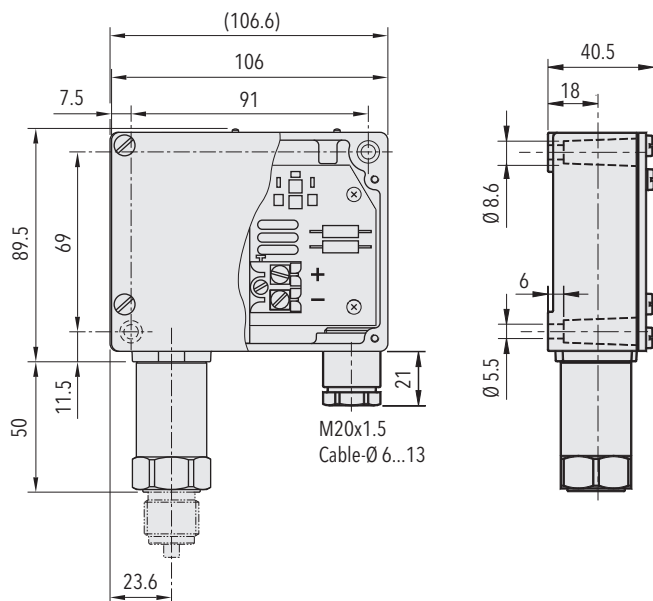
| Specifications | | |
|---------------------------------|------------------------------------|---|
| Accuracy | TEB typ. @ -25 ... +85°C | ± 2 % FS typ. |
| | Accuracy @ 25°C typ. | ± 0.5 % FS typ. |
| | NLH @ 25°C (BSL) typ. | ± 0.3 % FS typ. |
| | TC zero point and span typ. | ± 0.02 % FS/K typ. |
| | Long term stability 1 year typ. | ± 0.2 % FS typ. |
| Electrical Data | Output / supply voltage | 4 ... 20 mA: 24 (12 ... 34)VDC |
| | Load | $U_{\text{supply}} - 12V / 20 \text{ mA}$ |
| | Rise time | typ. 1 ms/10...90 % nominal pressure |
| Environmental conditions | Media temperature | -25°C ... +125°C |
| | Ambient temperature | -25°C ... +85°C |
| | Protection | Min. IP65 |
| | Humidity | Max. 95 % relative |
| | Vibration | 6g (25...2000 Hz) |
| | Shock | 50g/ 11 ms |
| | | |
| EMC Protection | Emission | EN/IEC 61000-6-3 |
| | Immunity | EN/IEC 61000-6-2 |
| Mechanical Data | Electrical connections | Terminal screw 0.75 ... 2.5 mm ² |
| | Screwed cable gland | M20x1.5 Cable-Ø 6...13 mm |
| | Sensor (wetted parts) | 1.4542 (AISI630) |
| | Pressure connection (wetted parts) | 1.4542 (AISI630) |
| | Housing | AlSi10Mg/ Epoxy coated |
| | Sealing | NBR 70 Sh |
| | Weight | ~ 520 g |
| | Mounting torque | 25 Nm |
| | | |

Electrical Connection

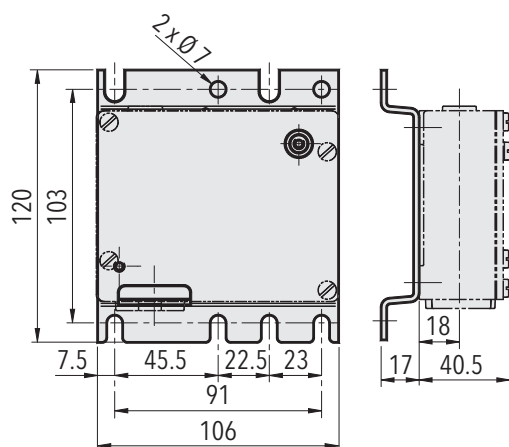


| Additional information | | |
|------------------------|--------------|--|
| Documents | Data sheet | www.trafag.com/H72206 |
| | Instructions | www.trafag.com/H70722 |
| | Flyer | www.trafag.com/H70677 |

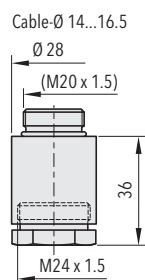
Dimensions



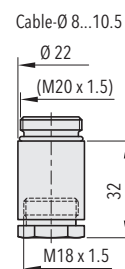
8202.XX.XXXX.XX.XX



8202.XX.XXXX.31.XX



8202.XX.XXXX.XX.27



8202.XX.XXXX.XX.40